

227-152 High-Pressure Environmental In-Line Gender Changer



How To Order

| | | | | | |
|-------------------------------|---------------------------------------|-----------|-----------|------------|----------|
| Sample Part Number | 227-152 | Z1 | 16 | -19 | N |
| Series No. | 227-152 | | | | |
| Finish Sym | Z1 | | | | |
| Shell Size | 10, 12, 14, 16, 18, 20, 22, 24 | | | | |
| Insert Arrangement | See Table I | | | | |
| Alternate Key Position | N, 1, 2, 3 or 4 | | | | |

Table II: Dimensions

| Shell Size | A Thread | B Dia |
|------------|--------------|-------|
| 10 | .750-1P-.1L | .906 |
| 12 | .875-1P-.1L | 1.031 |
| 14 | 1.000-1P-.1L | 1.156 |
| 16 | 1.125-1P-.1L | 1.281 |
| 18 | 1.250-1P-.1L | 1.531 |
| 20 | 1.375-1P-.1L | 1.656 |
| 22 | 1.500-1P-.1L | 1.781 |
| 24 | 1.625-1P-.1L | 1.906 |

Notes:

1. Assembly identified with manufacturer's name and P/N, space permitting.
2. Glenair 227-152 connector receptacle is designed to mate with Glenair 220-16 series Geo-Marine® connectors. (scoop-proof)
3. Material/Finish:
 Shell, lock nut - CRES/passivate.
 Contacts - copper alloy/gold plate.
 Insulators - high grade rigid dielectric/n.a.
 Interface seal - fluorosilicone/n.a.
 O-rings - nitrile/n.a.

MATES WITH 220-16

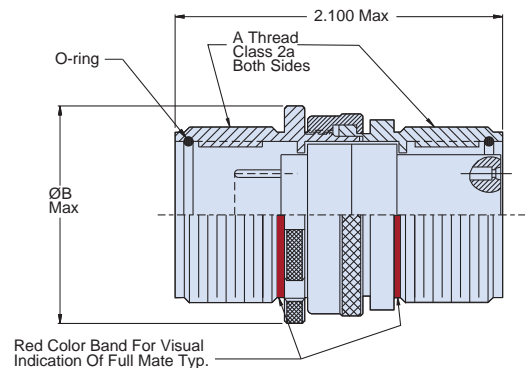
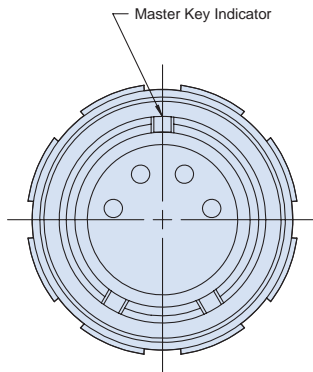


Table I: Insert Arrangements

| Shell Size | Insert Arrangement Dash No. | Contact Size and Quantity | | |
|------------|-----------------------------|---------------------------|----|----|
| | | 22 | 20 | 16 |
| 10 | - 4 | | | 4 |
| | - 6 | | 6 | |
| | - 13 | 13 | | |
| 12 | - 8 | | | 8 |
| | - 10 | | 10 | |
| | - 22 | 22 | | |
| 14 | - 12 | | | 12 |
| | - 19 | | 19 | |
| | - 37 | 37 | | |
| 16 | - 19 | | | 19 |
| | - 26 | | 26 | |
| | - 55 | 55 | | |
| 18 | - 22 | | | 22 |
| | - 32 | | 32 | |
| | - 66 | 66 | | |
| 20 | - 30 | | | 30 |
| | - 38 | 30 | | 8 |
| | - 41 | | 41 | |
| | - 79 | 79 | | |
| 22 | - 38 | | | 38 |
| | - 55 | | 55 | |
| | - 85 | 85 | | |
| 24 | - 48 | | | 48 |
| | - 61 | | 61 | |
| | - 100 | 100 | | |