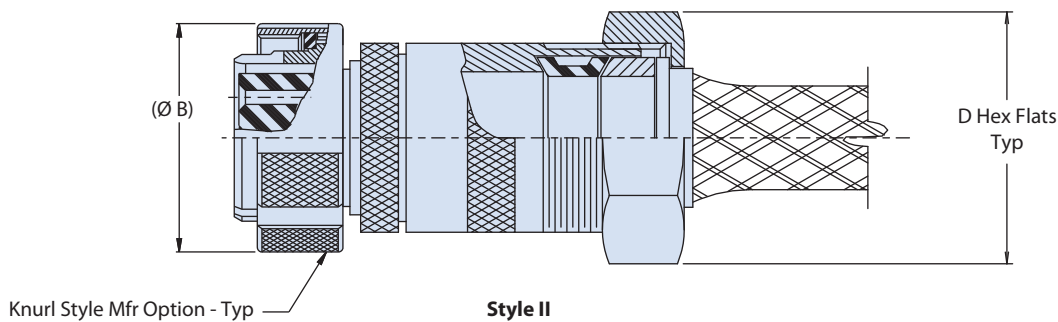
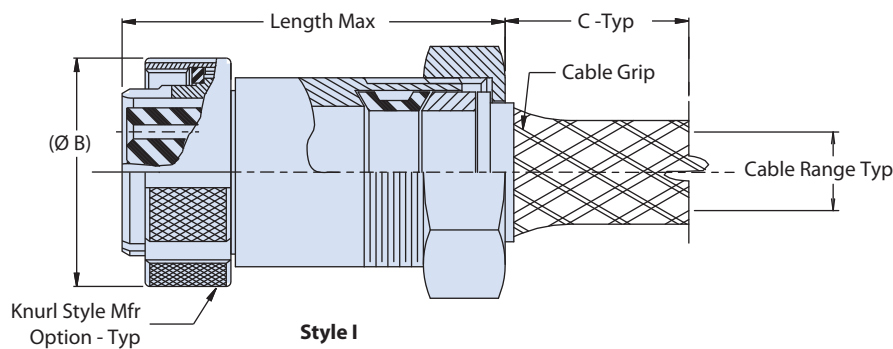


227-158 High-Pressure Environmental Cable Plug with Wire Mesh Cable Grip



How To Order							
Sample Part Number	227-158	24	-61	S	N	-CG	12
Basic No.	227-158						
Shell Size	See Table II						
Insert Arrangement Dash No.	See Table I						
Contact Style	P = Pin, S = Socket						
Alternate Key Position	N, 1, 2, 3 or 4						
Cable Grip Designator	Supplied with wire mesh cable grip. Omit for None						
Cable Entry Dash Number	03, 04, 06, 08, 10, 12, 14, 16	See Table III					

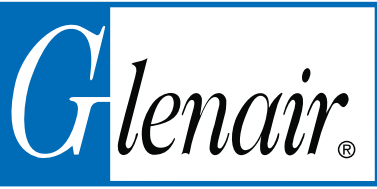


Notes:

1. Assembly identified with manufacturer's name and P/N, space permitting.
2. Performance capabilities:
 - Current rating:
 - Size 12 contact - Environmental: 23 amps
 - Size 16 contact - Environmental: 13 amps
 - Size 20 contact - Environmental: 7.5 amps
 - Size 22 contact - Environmental: 5 amps
 - Hydrostatic pressure rating: 5000 PSI, fully mated.
 - Insulation resistance: 1000 megaohms min at 500 VDC

Note: electrical safety limits to be set by user. Peak voltages, switching surges, transients, etc., should be used to determine safe applications.

3. Material/finish:
 - Barrel - 316L stainless steel/passivate
 - Contacts - copper alloy/gold plate
 - Coupling nut - nickel-aluminum-bronze/degrease
 - Hardware - 300 series stainless steel/passivate
 - Insulator - high grade rigid dielectric/n.a.
 - Seals - fluorosilicone



227-158 High-Pressure Environmental Cable Plug with Wire Mesh Cable Grip

Table I: Insert Arrangements

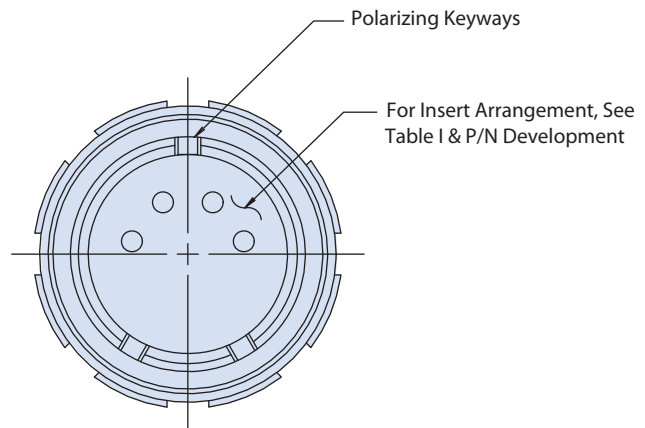
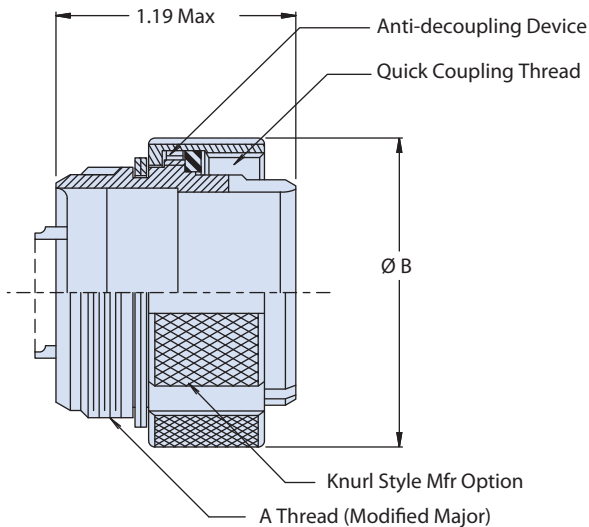
Shell Size	Insert Arrangement Dash No	Contact Size and Quantity			
		22	20	16	12
10	-2			2	
	-4		6	4	
	-6				
	-13	13			
12	-8		10	8	
	-10				
	-22	22			
14	-8A	4			4
	-12		19	12	
	-19				
	--37	37			
16	-19		26	19	
	-26				
	-55	55			
18	-11			11	
	-22		32	22	
	-32				
	-66	66			
20	30		41	30	
	-41				
	-79	79			
22	-38			38	
	-50	48	55		2
	-55				
	-85	85			
24	-24			16	16
	-48		61	48	
	-61				
	-100	100			

Table II: Dimensions

Shell Size	A Thread Class 2A	B Dia Max	Max (Style 1) Dash Numbers	Length Max
08	1/2-28 UNEF	.875	03	3.00
10	5/8-24UNEF	1.000	04	3.00
12	3/4-20UNEF	1.125	08	3.00
14	7/8-20UNEF	1.250	10	3.00
16	1-20UNEF	1.375	12	3.00
18	1 1/8-16UN	1.594	12	3.50
20	1 1/4-16UN	1.719	14	3.50
22	1 3/8-16UN	1.894	16	3.50
24	1 1/2-16UN	1.969	16	3.50

Table III: Cable Entry Dash Number

Dash No	C Ref	Cable Range		D Flats
		Min	Max	
03	2.12	.180	.210	.75
04	2.75	.210	.312	1.00
06	4.00	.310	.438	1.00
08	4.12	.438	.500	1.00
10	4.37	.500	.625	1.12
12	6.00	.530	.750	1.50
14	5.00	.750	.875	1.75
16	6.00	.875	1.000	



D