

257-007

Connector Receptacle Assembly Stainless Steel Harsh Environment Special Threads



Geo-Marine
Custom Applications

How To Order	
Sample Part Number	257 -007 H 2 -14S -5 P W M
Series No.	257
Basic No.	-007
Class	H = Hermetic - = Standard
Connector Style	2 = Receptacle
Shell Size	See Table I
Insert Arrangement Dash No.	See page D-14
Contact Style	P = Pin S = Socket (Non-Hermetic)
Alternate Insert Position	See page D-14. Omit for Normal
Molding Adapter	M = Molding Adapter Omit = None

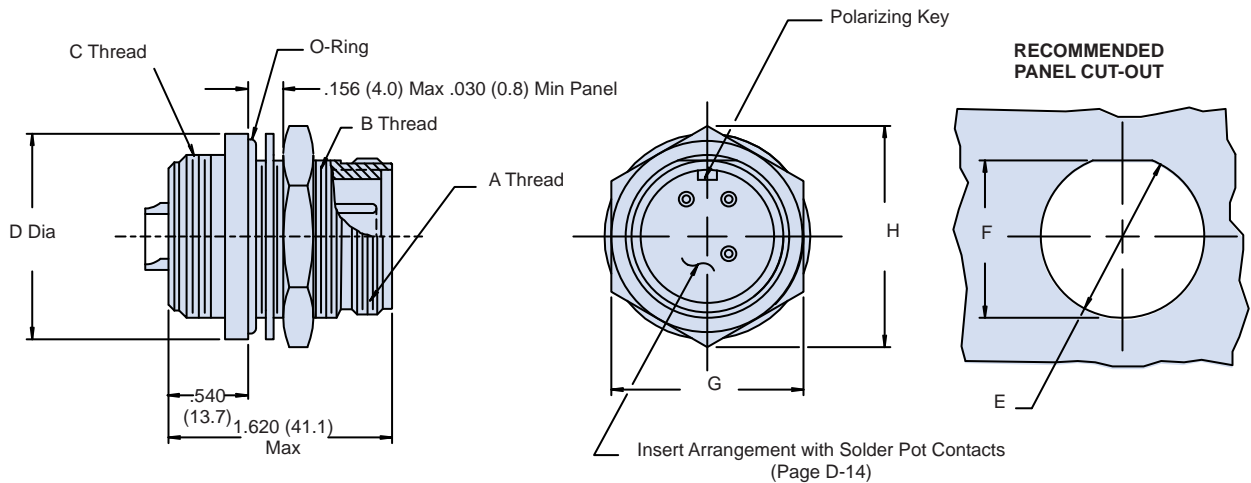


Table I								
Shell Size	A Thread Class 2A	B Thread Class 2A	C Thread Class 2A	D Dia Max	E Dia + .010 (0.3) -.000 (0)	F + .010 (0.3) -.000 (0)	G Flats	H Max
10SL	.625 - .1P-1L	3/4 - 20 UNEF	5/8 - 24 UNEF	1.100 (27.9)	.760 (19.3)	.710 (18.0)	.938 (23.8)	1.090 (27.7)
12	.750 - .1P-1L	7/8 - 20 UNEF	3/4 - 20 UNEF	1.250 (31.8)	.885 (22.5)	.835 (21.2)	1.062 (27.0)	1.230 (31.2)
14S	.875 - .1P-1L	1 - 20 UNEF	7/8 - 20 UNEF	1.450 (36.8)	1.010 (25.7)	.965 (24.5)	1.250 (31.8)	1.440 (36.6)
18	1.125 - .1P-1L	1 1/4 - 18 UNEF	1 1/8 - 16 UN	1.750 (44.5)	1.260 (32.0)	1.210 (30.7)	1.500 (38.1)	1.730 (43.9)
20	1.250 - .1P-1L	1 1/2 - 18 UNEF	1 1/4 - 16 UN	2.030 (51.6)	1.510 (38.4)	1.460 (37.1)	1.750 (44.5)	2.020 (51.3)
24	1.500 - .1P-1L	1 3/4 - 18 UNEF	1 1/2 - 16 UN	2.340 (59.4)	1.760 (44.7)	1.710 (43.4)	2.000 (50.8)	2.320 (58.9)
28	1.750 - .1P-1L	2 - 18 UNEF	1 3/4 - 16 UN	2.550 (64.8)	2.010 (51.1)	1.960 (49.8)	2.187 (55.5)	2.530 (64.3)

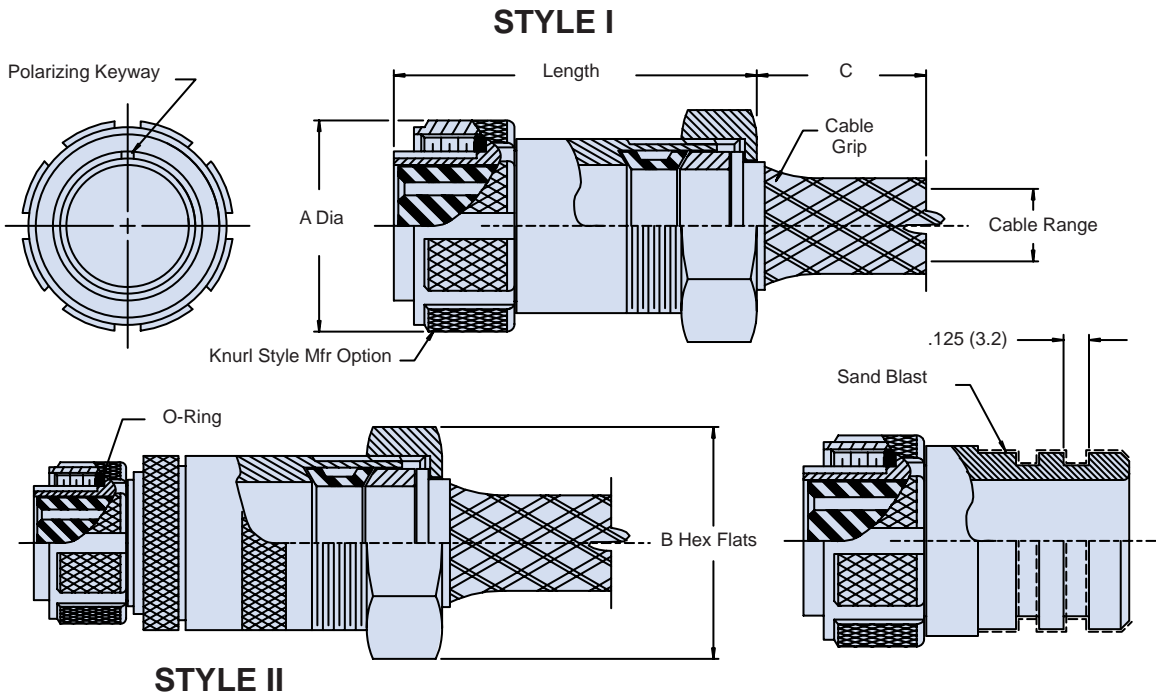
Notes:

1. Metric dimensions (mm) are indicated in parentheses.
2. Electrical safety limits must be established by the user. Peak voltages, switching surges, etc., should be used to determine the safety of the application.

D

257-007 Connector Plug Assembly Stainless Steel Harsh Environment

How To Order	
Sample Part Number	257 -007 -6 -14S -5 P W M 08
Series No.	257
Basic No.	-003
Connector Style	6 = Plug
Shell Size	See Table I
Insert Arrangement Dash No.	See page D-14
Contact Style	P = Pin S = Socket
Alternate Insert Position	See page D-14. Omit for Normal
Molding Adapter	M = Molding Adapter N = No Adapter (Connector Only) Omit = Connector with Wire Mesh Cable Grip
Optional Entry	See Table II. Omit for Standard



D

257-007
Connector Plug Assembly
Stainless Steel Harsh Environment



Table I							
Shell Size	A Max	B Flats	Standard Cable Range		Config Style	Max Cable Entry (Table II)	Length Max
			Min	Max			
10SL	1.031 (26.2)	.870 (22.1)	.210 (5.3)	.312 (7.9)	I	04	3.000 (76.2)
12	1.125 (28.6)	1.250 (31.8)	.500 (12.7)	.625 (15.9)	II	08	3.000 (76.2)
14S	1.219 (31.0)	.870 (22.1)	.210 (5.3)	.312 (7.9)	I	10	3.000 (76.2)
18	1.406 (35.7)	1.000 (25.4)	.310 (7.9)	.438 (11.1)	I	12	3.000 (76.2)
20	1.531 (38.9)	1.380 (35.1)	.530 (13.5)	.750 (19.1)	I	14	3.500 (88.9)
24	1.781 (45.2)	1.380 (35.1)	.530 (13.5)	.750 (19.1)	I	16	3.500 (88.9)
28	2.031 (51.6)	1.380 (35.1)	.530 (13.5)	.750 (19.1)	I	16	3.500 (88.9)

Table II			
Dash No.	C Ref	Cable Range	
		Min	Max
03	5.120 (130.0)	.180 (4.6)	.210 (5.3)
04	5.750 (146.1)	.210 (5.3)	.312 (7.9)
06	7.000 (177.8)	.310 (7.9)	.438 (11.1)
08	7.120 (180.8)	.438 (11.1)	.500 (12.7)
10	7.370 (184.3)	.500 (12.7)	.625 (15.9)
12	9.000 (228.6)	.530 (13.5)	.750 (19.1)
14	8.000 (203.2)	.750 (19.1)	.875 (22.2)
16	9.000 (228.6)	.875 (22.2)	1.000 (25.4)

Notes:

1. Metric dimensions (mm) are indicated in parentheses.
2. Electrical safety limits must be established by the user. Peak voltages, switching surges, etc., should be used to determine the safety of the application.