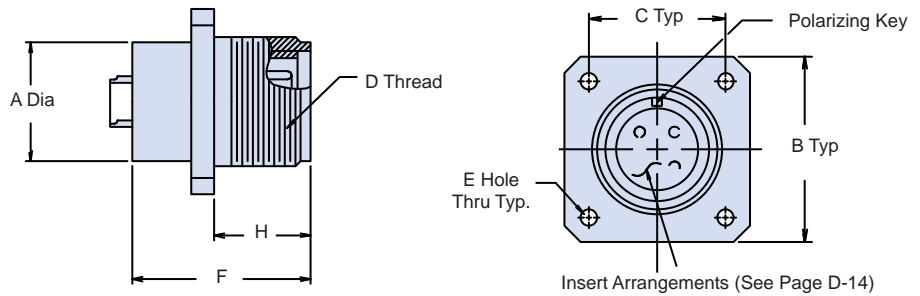


257-163 Flange Mount and 257-164 Weld Mount Connector Receptacle Assemblies Stainless Steel

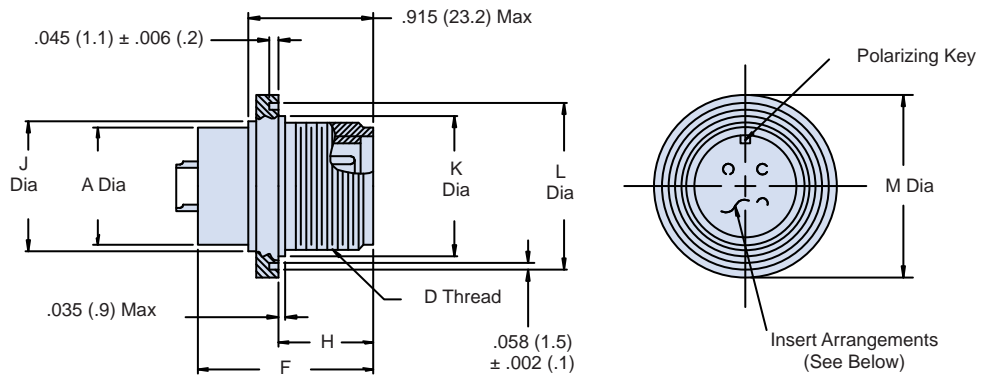


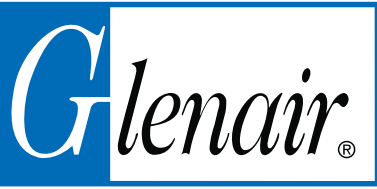
How To Order	
Sample Part Number	257 -163 H -14S -5 P W M
Series No.	257
Basic No.	-005
Class	H = Hermetic - = Standard
Shell Size	See Table I
Insert Arrangement Dash No.	See page D-14
Contact Style	P = Pin S = Socket (Non-Hermetic)
Alternate Insert Position	See page D-14. Omit for Normal

**257-163
Flange Mount**



**257-164
Weld Mount**





257-163 Flange Mount and 257-164 Weld Mount Connector Receptacle Assemblies Stainless Steel

Table I						
Shell Size	A Max	B Sq.±.031 (.8)	C ±.005 (.1)	D Thread Class 2A UNEF	E +.010 (.1) -.005 (1.3)	F Max
10SL	.609 (15.5)	1.000 (25.4)	.719 (18.3)	.625 -24	.120 (3.0)	1.000 (25.4)
12	.650 (16.5)	1.094 (27.8)	.812 (20.6)	.750 -20	.120 (3.0)	1.000 (25.4)
14S	.733 (18.6)	1.188 (30.2)	.906 (23.0)	.875 -20	.120 (3.0)	1.000 (25.4)
18	.975 (24.8)	1.375 (34.9)	1.062 (27.0)	1.125 -18	.120 (3.0)	1.200 (30.5)
20	1.105 (28.1)	1.500 (38.1)	1.156 (29.4)	1.250 -18	.120 (3.0)	1.200 (30.5)
22	1.328 (33.7)	1.625 (41.3)	1.250 (31.8)	1.375 -18	.147 (3.7)	1.200 (30.5)
24	1.350 (34.3)	1.750 (44.5)	1.375 (34.9)	1.500 -18	.147 (3.7)	1.200 (30.5)

Table II					
Shell Size	H +.031 (.8) -.000 (.0)	J Dia	K Dia	L Dia	M Dia
10SL	.562 (14.3)	.750 (19.1)	.825 (21.0)	1.061 (26.9)	1.132 (28.8)
12	.562 (14.3)	.906 (23.0)	.950 (24.1)	1.187 (30.1)	1.258 (32.0)
14S	.562 (14.3)	1.016 (25.8)	1.075 (27.3)	1.279 (32.5)	1.345 (34.2)
18	.724 (18.4)	1.250 (31.8)	1.275 (32.4)	1.479 (37.6)	1.550 (39.4)
20	.724 (18.4)	1.375 (34.9)	1.450 (36.8)	1.654 (42.0)	1.725 (43.8)
22	.724 (18.4)	1.500 (38.1)	1.575 (40.0)	1.744 (44.3)	1.815 (46.1)
24	.724 (18.4)	1.625 (41.3)	1.700 (43.2)	1.879 (47.7)	1.950 (49.5)

Table III: Material/Finish		
	Non-Hermetic Receptacles	Hermetic Receptacles
Shell	Passivated Stainless Steel	Passivated Stainless Steel
Insulator	Nitrile/Neoprene	Full Glass
O-Ring, Grommet	Nitrile/Neoprene	Nitrile/Neoprene
Contacts	Gold Plated Copper Alloy With Solder Pots	Alloy 52/Gold Plate
Contact Current Rating	#20-7.5 Amps #16-13 Amps #12-23 Amps #8-43 Amps	#20-5 Amps #16-10 Amps #12-17 Amps #8-35 Amps
Rated Operating Voltage	Service Rating INST - 250 VDC Service Rating A - 700 VDC Service Rating D - 1250 VDC	250 VDC
Dielectric Withstanding Voltage (Hi-Pot)	Service Rating INST - 1000 VRMS Service Rating A - 2000 VRMS Service Rating D - 2800 VRMS	1000 VRMS
Insulation Resistance	5000 Megohms minimum at 500 VDC and +25°C	5000 Megohms minimum at 500 VDC and +25°C
Temperature Range	-55°C to +125°C	-55°C to +125°C