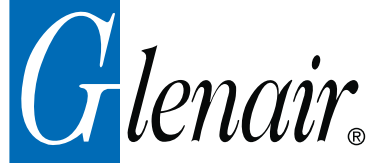
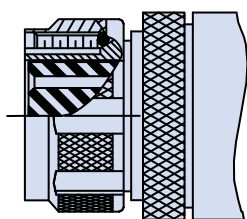


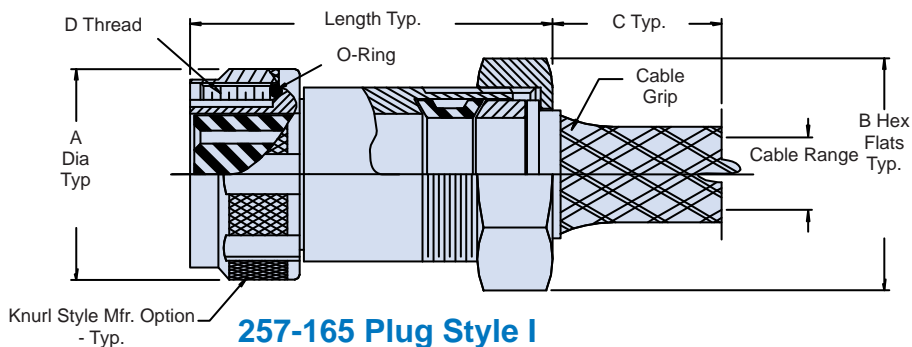
# 257-165 Stainless Steel Plug Assembly and 257-166 Stainless Steel Receptacle Assembly



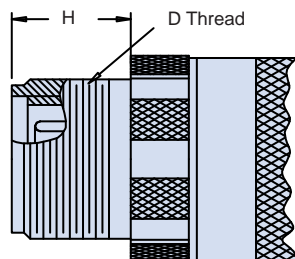
How To Order	
Sample Part Number	257 -165 -14S P X M 08
Series No.	257
Basic No.	-165 = Plug -166 = Receptacle
Shell Size/Insert Arrangement	See page D-14
Contact Style	P = Pin S = Socket (Non-Hermetic)
Alternate Insert Position	See page D-14. N for Normal
Molding Adapter	M = Molding Adapter N = No Adapter, Connector Only Omit for Standard
Optional Entry	See Table II



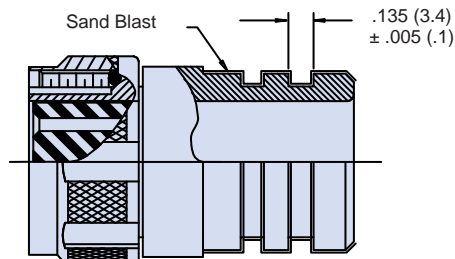
**257-165 Plug Style II**



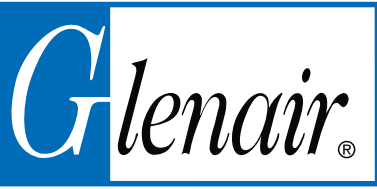
**257-165 Plug Style I**



**257-166 Receptacle**



**Molding Adapter Option**



## 257-165 Stainless Steel Plug Assembly and 257-166 Stainless Steel Receptacle Assembly

**Table I**

Shell Size	Config. Style	A Max	B Flats	D Thread Class 2A UNEF	H +.031 (.8) -.000 (0)	Length Max
10SL	I	1.031 (26.2)	1.00 (25.4)	.625 -24	.562 (14.3)	3.00 (76.2)
12	II	1.125 (28.6)	1.35 (34.3)	.750 -20	.562 (14.3)	3.00 (76.2)
14S	I	1.219 (31.0)	1.00 (25.4)	.875 -20	.562 (14.3)	3.00 (76.2)
18	I	1.406 (35.7)	1.12 (28.4)	1.125 -18	.724 (18.4)	3.50 (88.9)
20	I	1.531 (38.9)	1.50 (38.1)	1.250 -18	.724 (18.4)	3.50 (88.9)
22	I	1.645 (41.8)	1.50 (38.1)	1.375 -18	.724 (18.4)	3.50 (88.9)
24	I	1.781 (45.2)	1.50 (38.1)	1.500 -18	.724 (18.4)	3.50 (88.9)

**Table I (continued)**

Shell Size	Cable Range		Max Dash No. Style I
	Min	Max	
10SL	.210 (5.3)	.312 (7.9)	04
12	.500 (12.7)	.625 (15.9)	08
14S	.210 (5.3)	.312 (7.9)	10
18	.310 (7.9)	.438 (11.1)	12
20	.530 (13.5)	.750 (19.1)	14
22	.530 (13.5)	.750 (19.1)	14
24	.530 (13.5)	.750 (19.1)	16

**Table II (Optional Entries)**

Dash No.	Cable Range		C Ref
	Min	Max	
03	.180 (4.6)	.210 (5.3)	5.12 (130.0)
04	.210 (5.3)	.312 (7.9)	5.75 (146.1)
06	.310 (7.9)	.438 (11.1)	7.00 (177.8)
08	.438 (11.1)	.500 (12.7)	7.12 (180.8)
10	.500 (12.7)	.625 (15.9)	7.37 (187.2)
12	.530 (13.5)	.750 (19.1)	9.00 (228.6)
14	.750 (19.1)	.875 (22.2)	8.00 (203.2)
16	.875 (22.2)	1.000 (25.4)	9.00 (228.6)

**Table III: Material/Finish**

Barrel and Rear Accessory Hardware	Passivated Stainless Steel
Coupling Nut	Nickel/Aluminum/Bronze
Insulator, O-Ring, Grommet	Nitrile/Neoprene
Contacts	Gold Plated Copper Alloy With Solder Pots
Contact Current Rating	#20-7.5 Amps #16-13 Amps #12-23 Amps #8-43 Amps
Rated Operating Voltage	Service Rating INST - 250 VDC Service Rating A - 700 VDC Service Rating D - 1250 VDC
Dielectric Withstanding Voltage (Hi-Pot)	Service Rating INST - 1000 VRMS Service Rating A - 2000 VRMS Service Rating D - 2800 VRMS
Insulation Resistance	5000 Megohms minimum at 500 VDC and +25°C
Temperature Range	-55°C to +125°C