

940-015 High-Pressure Environmental Jam Nut Mount Sav-Con® Connector Saver

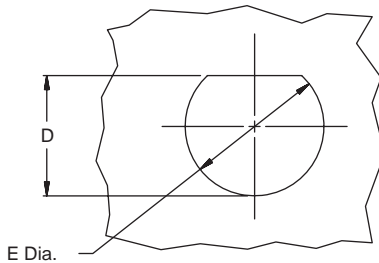


Shell Size	Insert Arrangement Dash No	Contact Size and Quantity			
		22	20	16	12
10	-2			2	
	-4		6	4	
	-6				
	-13	13			
12	-8		10	8	
	-10				
	-22	22			
14	-12		19	12	
	-19				
	-37	37			
16	-19		26	19	
	-26				
	-55	55			
18	-11			11	
	-22		32	22	
	-32				
20	-66	66			
	30		41	30	
	-41				
22	-79	79			
	-38			38	
	-50	48	55		2
	-55				
24	-85	85			
	-24			16	16
	-48		61	48	
	-61				
	-100	100			

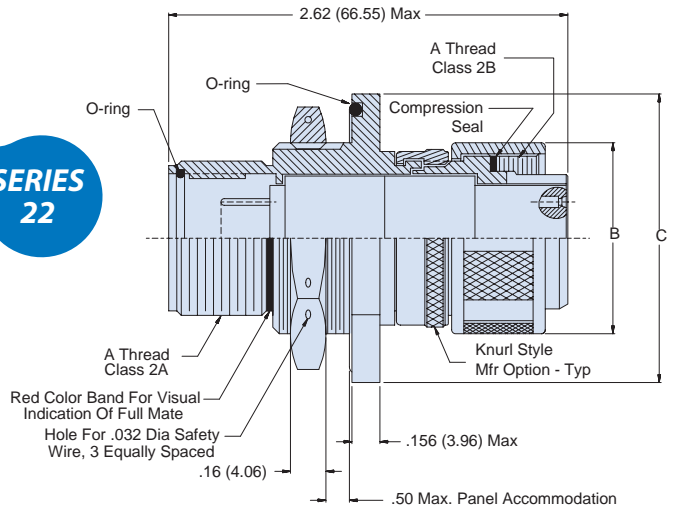
Sample Part Number	940-015	M	24	-61	S	N
Series No.	940-015					
Finish Symbol	B, J, M, N, NF, T, Z1 See Table III					
Shell Size	10, 12, 14, 16, 18, 20, 22, 24 See Table II					
Insert Arrangement	See Table I					
Contact Style	P = Pin, S = Socket					
Alternate Key Position	N, 1, 2, 3 or 4					

Notes

1. Assembly identified with manufacturer's name and P/N, space permitting.
2. Glenair 940-014 connector saver is designed to mate with Glenair Series 22 Geo-Marine® connectors.
3. Material/finish:
Barrel, shell, coupling & jam nut - Al alloy/see Table III.
Contacts - copper alloy/gold plate.
Insulators - high grade rigid dielectric/n.a. O-ring & seals - silicone/n.a.



MATES WITH SERIES 22



Shell Size	Recommended Panel Cut Out	C Dia	D	E
10	.750-.1P-.1L 1.000 (25.40)	1.25 (31.75)	.835 (21.21)	.885 (22.48)
12	.875-.1P-.1L 1.125 (28.58)	1.38 (35.05)	.960 (24.38)	1.010 (27.94)
14	1.000-.1P-.1L 1.250 (31.75)	1.50 (38.10)	1.085 (27.56)	1.135 (28.83)
16	1.125-.1P-.1L 1.375 (34.93)	1.63 (41.40)	1.210 (30.73)	1.260 (32.00)
18	1.250-.1P-.1L 1.594 (40.49)	1.75 (44.45)	1.335 (33.91)	1.385 (35.18)
20	1.375-.1P-.1L 1.719 (43.66)	1.88 (47.75)	1.460 (37.08)	1.510 (38.35)
22	1.500-.1P-.1L 1.894 (48.11)	2.00 (50.80)	1.585 (40.26)	1.635 (41.53)
24	1.625-.1P-.1L 1.969 (50.01)	2.12 (53.85)	1.710 (43.43)	1.760 (44.70)

Sym	Finish Description
B	Cadmium Plate/Olive Drab
J	Gold Iridite Over Cadmium Plate Over Nickel
M	Electroless Nickel
N	Cadmium Plate/Olive Drab Over Nickel
NF	Cad/O. D. Over Electroless Nickel (500 Hour Salt Spray)
T	Cadmium Plate/Bright Dip Over Nickel