



RADGRIP™ COUPLING NUTS

For fast, easy mating of ITS Series bayonet connectors *plus* improved coupling nut mechanical protection

Better grip, improved durability

Glenair ITS-RG Series connector plugs with RadGrip™ rubber coupling nut covers was developed for harsh environmental field applications. RadGrip™ covers feature wide, easy-to-grip castellations as well as a raised thumb tab. Built for maximum durability and mechanical protection of plug coupling nuts, RadGrip™ is the perfect solution for advanced protection against shock and other forms of mechanical damage. In addition, RadGrip™ facilitates rapid mating and demating of connectors, even when surfaces are contaminated with oil, dust, water and other fluids. The highly durable rubber compound may be specified in seven different colors for improved connector and cable identification.

Colors available: Black, Yellow, Red, Blue, Light Green, Orange and Grey.

RadGrip™ material specifications

IAW UNI-CEI 11170 - AFNOR NF-F 16101 - BSS 7239 - ASTM E - 162, ASTM E-662
RadGrip™ covers adhere easily to Aluminum alloy, Stainless steel and Marine bronze.



- Fast, easy 1/4 turn bayonet coupling
- Ergonomically designed for use with arctic gloves
- High Shock and Vibration Resistant
- Compatible with all Series ITS 5015 type connector shell sizes
- Durable chemical-resistant material
- Colored materials facilitate connector and cable identification and/or connector phases

SERIES ITS-RG

RadGrip™ Easy-Mate Rubber Covered Coupling Nut Connectors

Straight and 90° Plugs

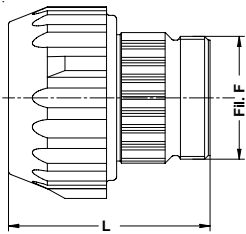


90° right-angle plug with RGG cable gland

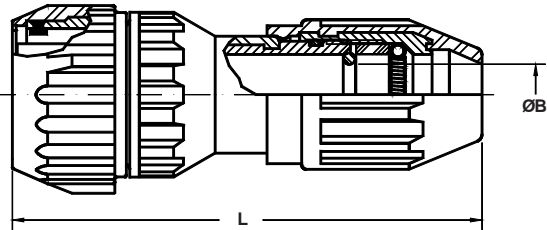
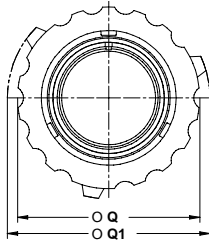


Straight plug with optional strain relief clamp. Consult factory for additional backshell options in the ITS-RG series

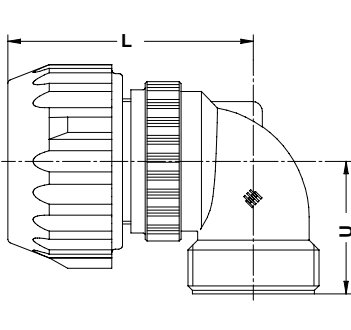
How To Order										
Sample Part Number	ITS	G	31	06	RRG	20-27	P	Y	BK	
Product Series	Reverse-Bayonet Coupling Connector									
Grounding Fingers	G = Grounding Fingers Omit for Standard									
Contact Type	31 = Solder 41 = Crimp									
Shell Style	06 = Straight Plug with Accessory Threads 08 = Plug with 90° Backshell									
Connector/Backshell Class	RRG = Plug, environmental with rubber-covered coupling nut and cable gland RRG = Plug, environmental with rubber-covered coupling nut and rubber-covered EMI/RFI cable sealing backshell									
Shell Size/Insert Arrangement	See Catalog									
Contact Gender	P = Pin S = Socket									
Alternate Insert Rotation	Omit for Normal									
Color Code	BK = Black RD = Red YL = Yellow BL = Blue OR = Orange LG = Light Green GY = Grey									



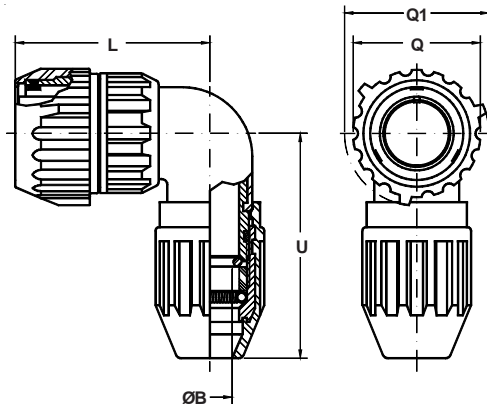
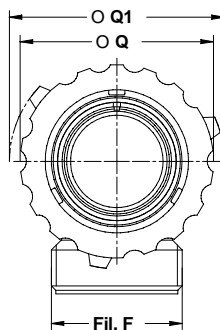
ITS-RGG (06) Straight Plug



ITS-RRG (06) Straight Plug with EMI/RFI Cable Sealing Backshell



ITS-RGG (08) 90° Right-Angle Plug



ITS-RRG (08) 90° Right-Angle Plug with EMI/RFI Cable Sealing Backshell