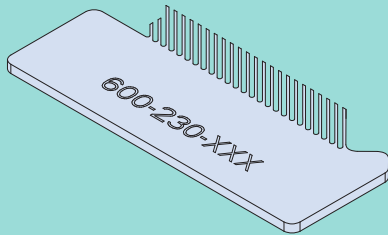


.062" PITCH COMPLIANT PIN

HD Stacker™

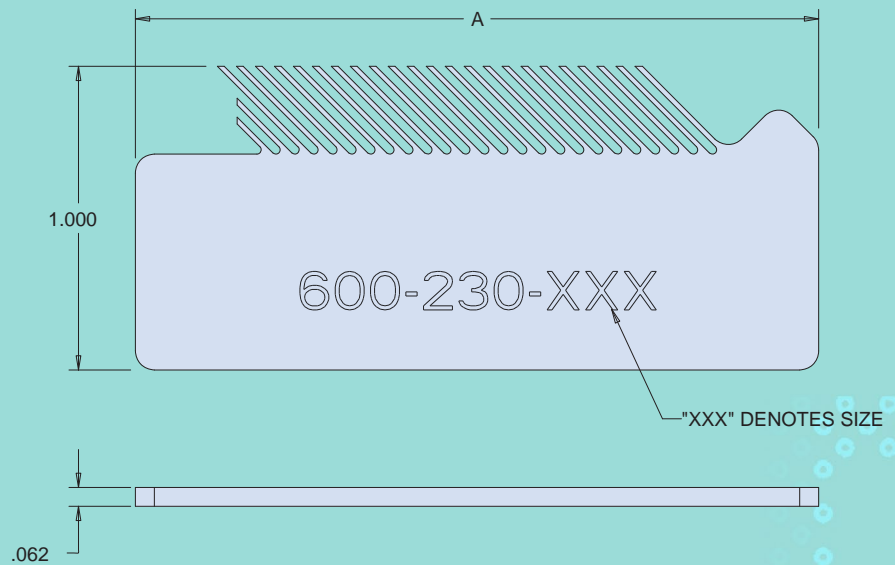


Contact Alignment Comb for connector-to-board installation



How to Order 600-230 HD Stacker Contact Alignment Comb		
Sample Part Number	600-230	-120
Series	600-230 = HD Stacker Contact Alignment Comb	
Number of Contacts	40, 80, 120, 160, 200, 240, 300	

- Pin organizers, or contact alignment tools, are recommended to assist operators feeding contacts with termination lengths larger than .500" into the printed circuit board. Alignment tools are made of clear polycarbonate.



Number of Contacts	A	
	in	mm
40	1.25	31.75
80	1.75	44.45
120	2.25	57.15
160	2.75	69.85
200	3.25	82.55
240	3.75	95.25
300	4.50	114.30