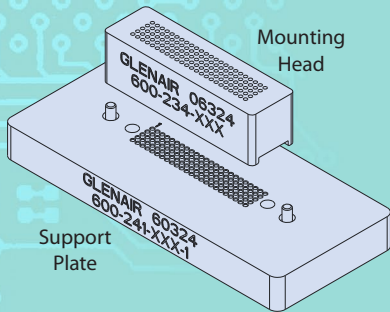


.062" PITCH COMPLIANT PIN HD Stacker™

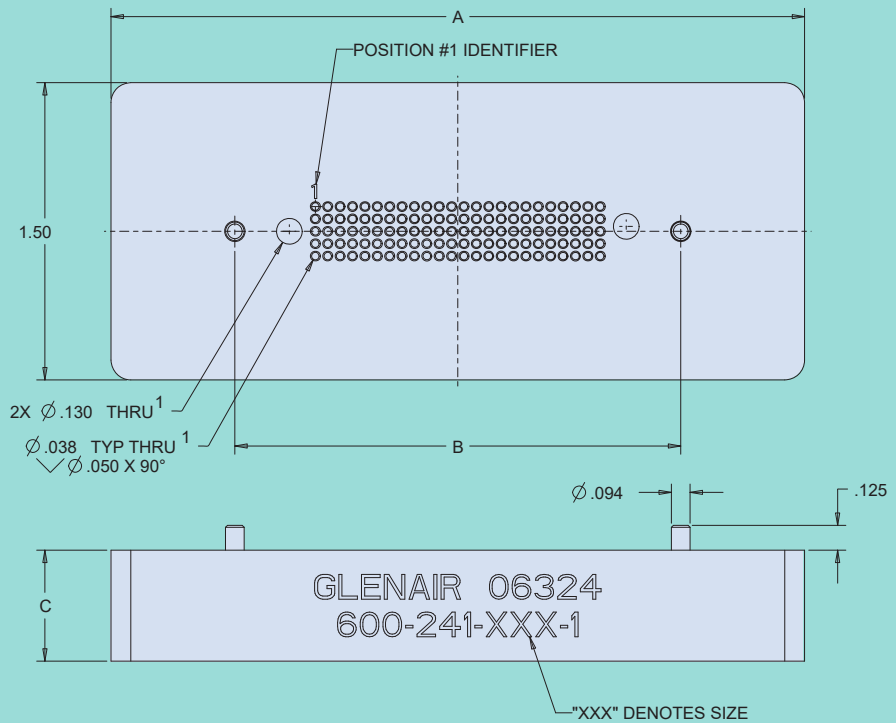


Support Plate tool for connector-to-board installation



How to Order 600-241 HD Stacker Support Plate			
Sample Part Number	600-241	-120	-1
Series	600-241 = HD Stacker Support Plate		
Number of Contacts	40, 80, 120, 160, 200, 240, 300		
Termination Length (plate height)	-1 = For termination length .500" and under (D plate height = .560" [14.22]) -2 = For termination length 1.000" and under (D plate height = 1.060" [26.92])		

■ **600-241 Support Plate is a precision-machined tool with the same PCB contact layouts as the connector to be installed. The primary function of the support plate is even distribution of application pressure on the PCB. Plate also features alignment pin cavities that are used to align the support plate holes with the PCB plated thru-holes. Support plate size and alignment features shown are standard, but can be fabricated to application-specific requirements.**



Number of Contacts	A		B		C	
	in	mm	in	mm	in	mm
40	0.90	22.86	0.70	17.78	1.25	31.75
80	1.40	35.56	1.20	30.48	1.75	44.45
120	1.90	48.26	1.70	43.18	2.25	57.15
160	2.40	60.96	2.20	55.88	2.75	69.85
200	2.90	73.66	2.70	68.58	3.25	82.55
240	3.40	86.36	3.20	81.28	3.75	95.25
300	4.15	105.41	3.95	100.33	4.50	114.30