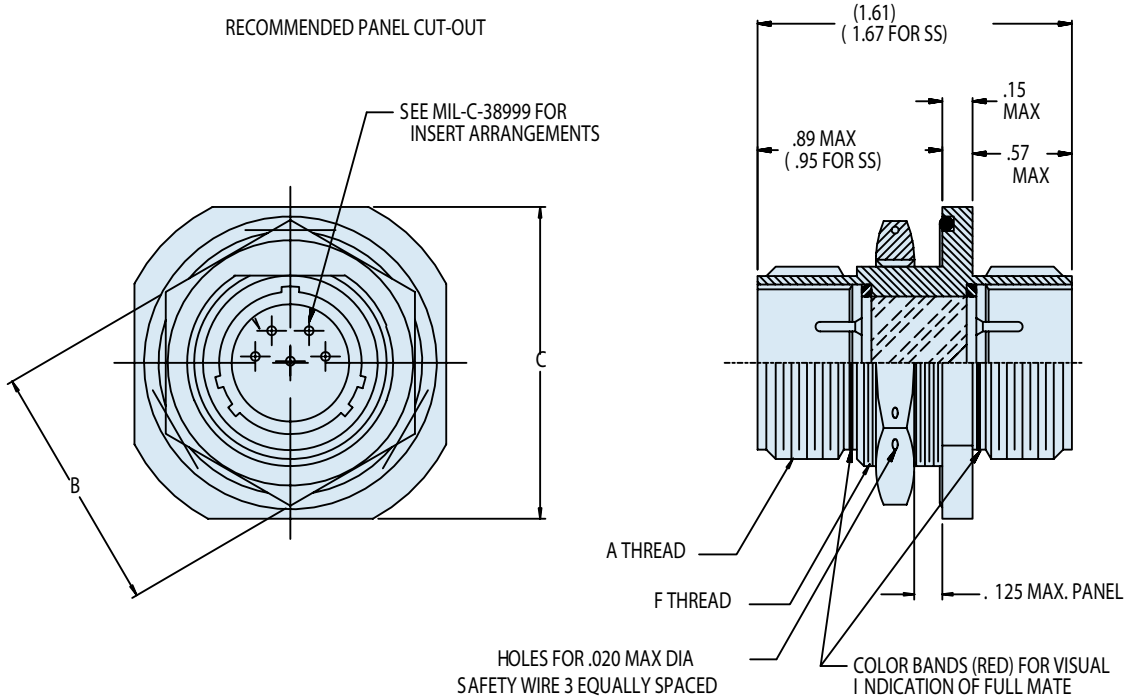
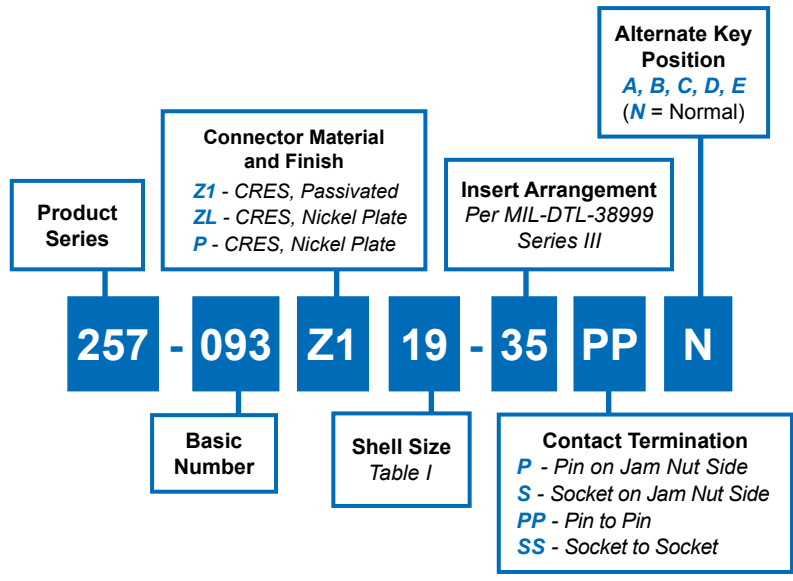




257-093
Jam Nut Mount Hermetic Bulkhead Feed-Thru
MIL-DTL-38999 Series III Type

B



Dimensions in Inches (millimeters) are subject to change without notice.

257-093
Jam Nut Mount Hermetic Bulkhead Feed-Thru
 MIL-DTL-38999 Series III Type



HERMETIC LEAK RATE MOD CODES	
Designator	Required Leak Rate
-585A	1 x 10 ⁻¹⁰ cc Helium per second
-585B	1 x 10 ⁻⁹ cc Helium per second
-585C	1 x 10 ⁻⁸ cc Helium per second

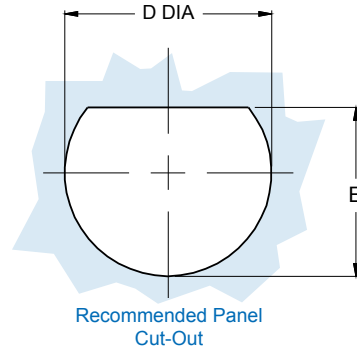


TABLE I: CONNECTOR DIMENSIONS						
SHELL SIZE	A THREAD 0.1 P-0.3L-TS-2	B DIM	C DIM MAX	D DIA	E DIM	F THREAD CLASS 2A
9	0.625	.875(22.2)	1.09(27.7)	.693 (17.60)	.657 (16.70)	11/16-24 UNEF
11	0.750	1.000(25.4)	1.28(32.5)	.825 (20.96)	.771 (19.59)	13/16-20 UNEF
13	0.875	1.250(31.8)	1.40(35.6)	1.010 (25.65)	.955 (24.26)	1-20 UNEF
15	1.000	1.375(34.9)	1.53(38.9)	1.135 (28.83)	1.085 (27.56)	1 1/8-18 UNEF
17	1.187	1.500(38.1)	1.66(42.2)	1.260 (32.01)	1.210 (30.73)	1 1/4-18 UNEF
19	1.250	1.625(41.3)	1.84(46.7)	1.385 (35.18)	1.335 (33.91)	1 3/8-18 UNEF
21	1.375	1.750(44.5)	1.97(50.5)	1.510 (38.35)	1.460 (37.08)	1 1/2-18 UNEF
23	1.500	1.875(47.6)	2.09(53.1)	1.635 (41.53)	1.585 (40.26)	1 5/8-18 UNEF
25	1.625	2.000(50.8)	2.21(56.1)	1.760 (44.70)	1.710 (43.43)	1 3/4-18 UNEF

APPLICATION NOTES

- Assembly identified with manufacturer's name and PN, space permitting.
- For pin/pin and socket/socket, symmetrical layouts only, consult factory for available insert arrangements.
- Electrical safety limits must be established by user, peak voltage, switching surge, transient, etc. should be used to determine the safety of the application.
- Material/Finish:
 Shell, lock ring, jam nut—stainless steel/passivate
 Contacts—alloy 52/gold plate
 Sockets—copper alloy/gold plate
 Hermetic Insulator—full glass/N.A.
 Socket Insulator—rigid dielectric/N.A.
 Seals—fluorosilicone/ N.A.
 Hermeticity -1x10⁻⁷ cc/second
- Metric dimensions (mm) are indicated in parentheses.

Dimensions in Inches (millimeters) are subject to change without notice.