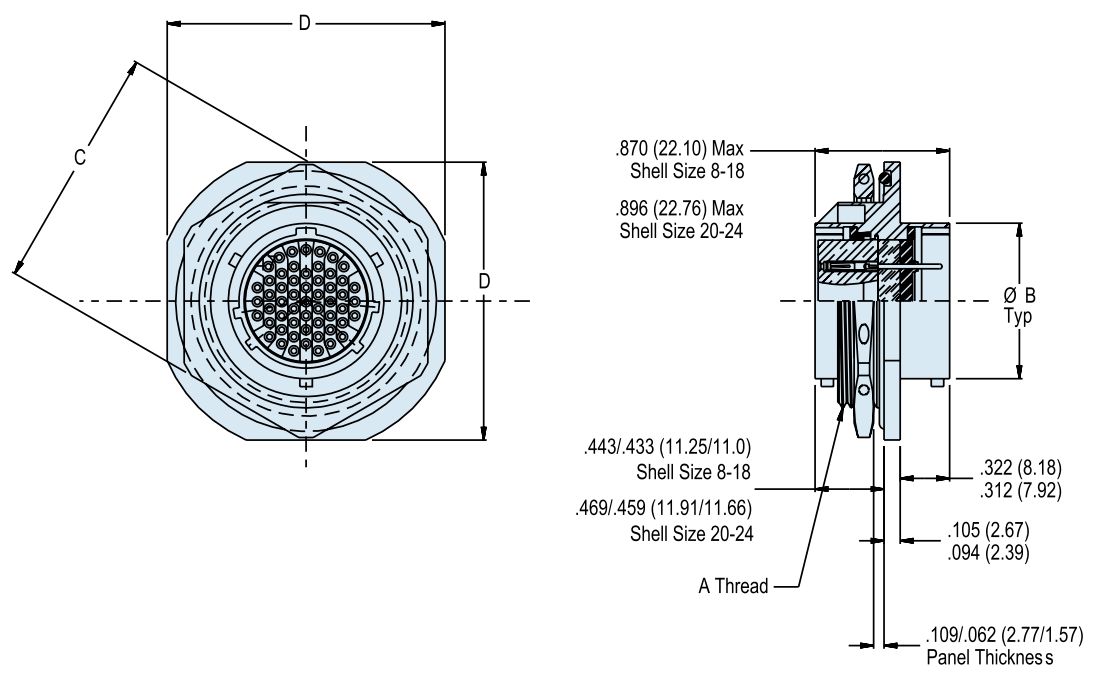
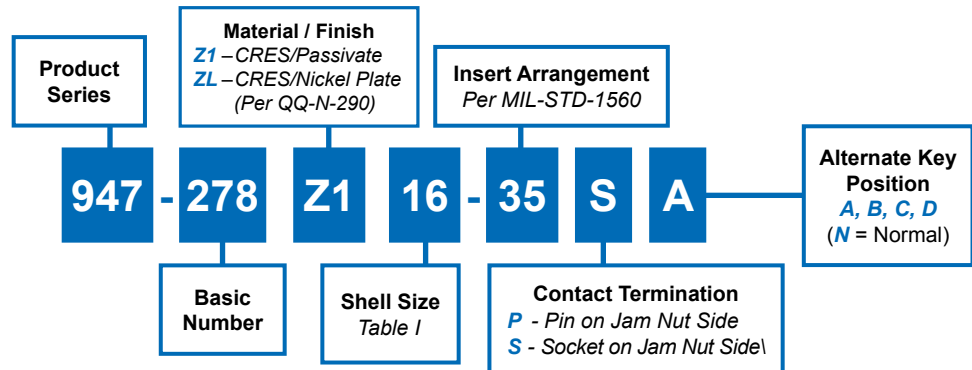




947-278
Jam Nut Mount Hermetic Bulkhead Feed-Thru
MIL-DTL-38999 Series II Type (MS27477Y)

B



Dimensions in Inches (millimeters) are subject to change without notice.

947-278

**Jam Nut Mount Hermetic Bulkhead Feed-Thru
MIL-DTL-38999 Series II Type (MS27477Y)**

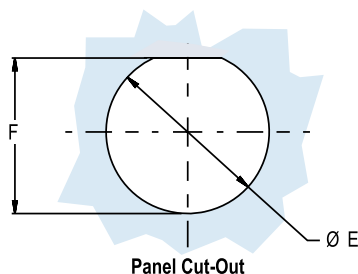


MIL-DTL-38999 Type
Hermetic Connectors

B

TABLE I: CONNECTOR DIMENSIONS

SHELL SIZE	A THREAD CLASS 2A	B DIA MAX	C HEX	D FLATS	E DIA ±.005(0.1)	F +.000-.005 (0-0.1)
08	11/16-24 UNEF	.474(12.0)	1.062(27.0)	1.250(31.8)	.890 (22.6)	.825 (21.0)
10	13/16-20 UNEF	.591(15.0)	1.188(30.2)	1.375(34.9)	1.015 (25.8)	.950 (24.1)
12	1-20 UNEF	.751(19.1)	1.312(33.3)	1.500(38.1)	1.140 (29.0)	1.080 (27.4)
14	1 1/8-18 UNEF	.876(22.3)	1.438(36.5)	1.625(41.3)	1.265 (32.1)	1.205 (30.6)
16	1 1/4-18 UNEF	1.001(25.4)	1.562(39.7)	1.781(45.2)	1.390 (35.3)	1.330 (33.8)
18	1 3/8-18 UNEF	1.126(28.6)	1.608(40.8)	1.890(48.0)	1.515 (38.5)	1.455 (37.0)
20	1 1/2-18 UNEF	1.251(31.8)	1.812(46.0)	2.016(51.2)	1.640 (41.7)	1.580 (40.1)
22	1 5/8-18 UNEF	1.376(35.0)	2.000(50.8)	2.140(54.4)	1.765 (44.8)	1.704 (43.3)
24	1 3/4-18 UNS	1.501(38.1)	2.125(54.0)	2.265(57.5)	1.890 (48.0)	1.830 (46.5)



HERMETIC LEAK RATE MOD CODES	
Designator	Required Leak Rate
-585A	1 x 10 ⁻¹⁰ cc Helium per second
-585B	1 x 10 ⁻⁹ cc Helium per second
-585C	1 x 10 ⁻⁸ cc Helium per second

APPLICATION NOTES

- Assembly identified with manufacturer's name and part number, space permitting.
- Glenair 947-278 will mate with any QPL manufacturer's plug having the same shell size, contact arrangement and opposite contact gender.
- Hermeticity = less than 1 x 10⁻⁷ cc/sec at one atmosphere.
- Metric Dimensions (mm) are indicated in parentheses.
- Material/Finish:
Shell and jam nut - CRES/passivate or CRES/Nickel plate
Contacts, pin - nickel alloy/gold plate
Contacts, socket - copper alloy/gold plate
Bayonets - CRES/passivate
Insulator, pins - full glass/N.A.
Insulator - sockets - rigid dielectric/N.A.
Seals - Fluorosilicone blend/N.A.

Dimensions in Inches (millimeters) are subject to change without notice.