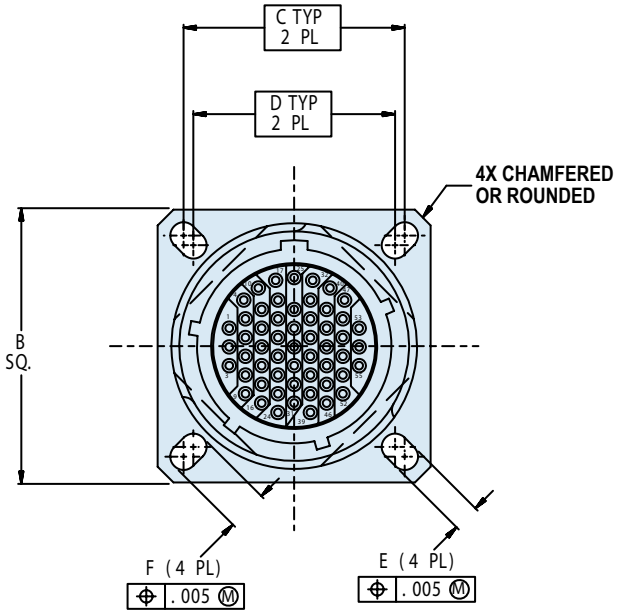
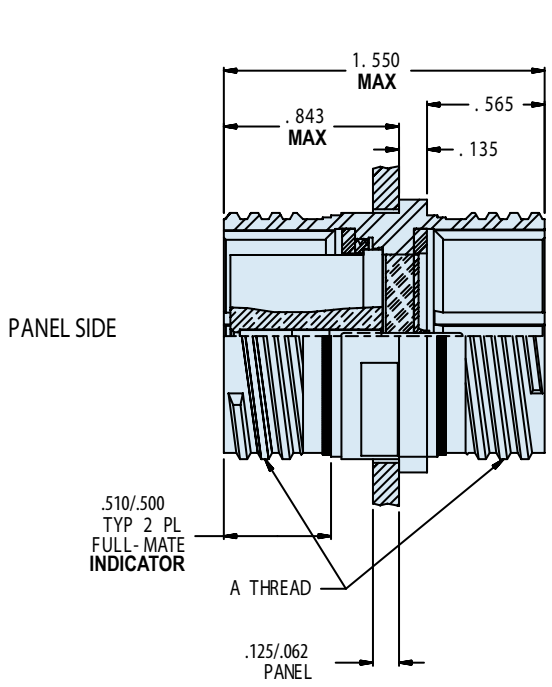
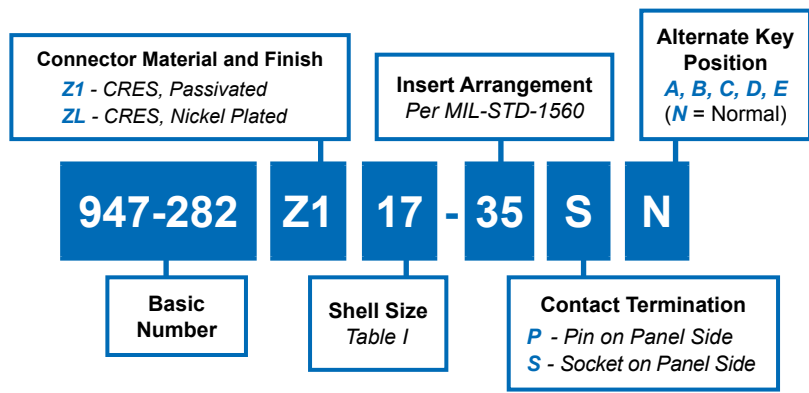




947-282
Flange Mount Hermetic Bulkhead Feed-Thru
MIL-DTL-38999/21 Series III Type

B



Dimensions in Inches (millimeters) are subject to change without notice.

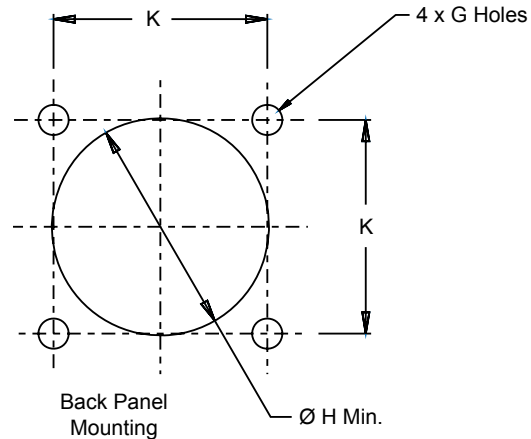
947-282
 Flange Mount Hermetic Bulkhead Feed-Thru
 MIL-DTL-38999/21 Series III Type



TABLE I: CONNECTOR DIMENSIONS

SHELL SIZE	A THREAD 0.1 P-0.3L-TS-2	B SQ.	C BASIC	D BASIC	E	F	Ø H MIN.	Ø G HOLES	K
9	0.625	.949 .925	.719	.594	.136 .120	.224 .208	.656	.133 .123	.724 .714
11	0.750	1.043 1.019	.812	.719		.202 .186	.781		.817 .807
13	0.875	1.138 1.114	.906	.812		.202 .186	.921		.911 .901
15	1.000	1.232 1.208	.969	.906		.181 .165	1.047		.973 .963
17	1.187	1.323 1.299	1.062	.969		.202 .186	1.218		1.067 1.057
19	1.250	1.449 1.425	1.156	1.062		.202 .186	1.296		1.161 1.151
21	1.375	1.575 1.551	1.250	1.156		.202 .186	1.421		1.255 1.245
23	1.500	1.701 1.677	1.375	1.250	.162 .146	.250 .234	1.546	.159 .149	1.380 1.370
25	1.625	1.823 1.799	1.500	1.375		.250 .234	1.672		1.505 1.495

HERMETIC LEAK RATE MOD CODES	
Designator	Required Leak Rate
-585A	1 x 10 ⁻¹⁰ cc Helium per second
-585B	1 x 10 ⁻⁹ cc Helium per second
-585C	1 x 10 ⁻⁸ cc Helium per second



APPLICATION NOTES

- Assembly identified with manufacturer's name and PN, space permitting.
- Material/Finish:
 Shell, lock ring, jam nut—CRES/passivate or CRES/nickel plate
 Pin Contacts—nickel iron alloy/gold plate
 Socket Contacts—copper alloy/gold plate
 Insulator, Hermetic—vitreous glass/N.A.
 Insulator, Socket—rigid dielectric/N.A.
 Socket Insulator—high grade rigid dielectric/N.A.
 Seals—fluorosilicone blend/ N.A.
- Electrical safety limits must be established by user, peak voltage, switching surge, transient, etc. Should be used to determine the safety application.
- Hermeticity < 1 x 10⁻⁷ cc He/sec at 1 ATM differential
- Glenair 947-282 will mate with any QPL manufacturers D38999 series III plugs of same shell size, broach position, and opposite contact gender.
- Metric dimensions (mm) are indicated in parentheses.

Dimensions in Inches (millimeters) are subject to change without notice.