

QPL QUALIFIED

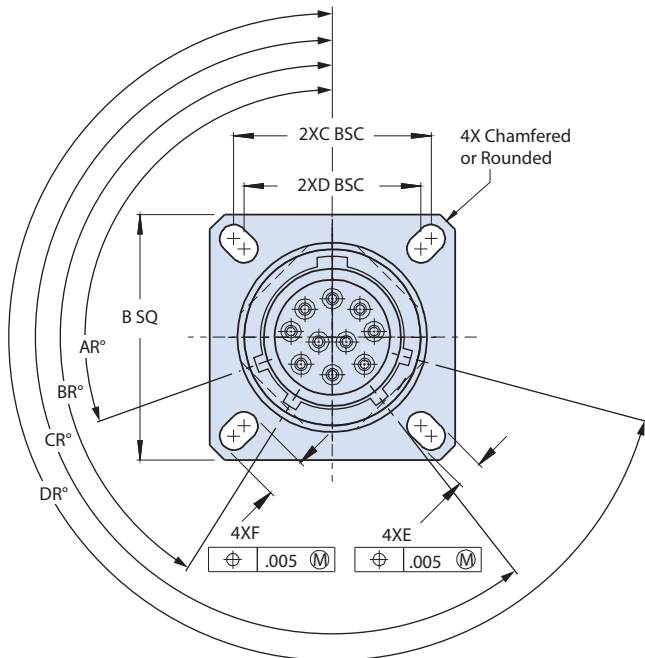
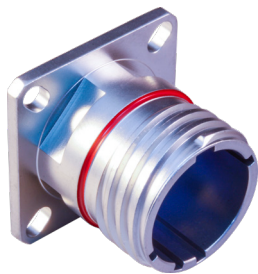
MIL-DTL-38999 Series III, Triple-Start Thread

D38999/21 box mount hermetic receptacle

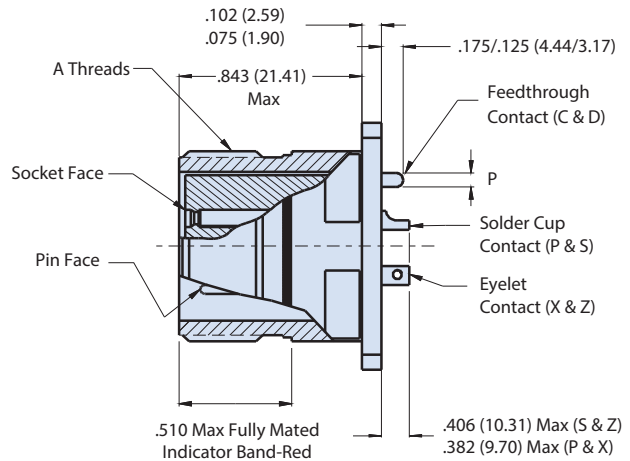


SERIES III HERMETIC

QPL Part Number Development						
Sample Part Number	D38999/21	Y	B	35	P	N
MIL-DTL-38999	D38999/21 = Box mount receptacle					
Class	N = Hermetic, CRES, nickel finish, conductive, -65°C to 200°C Y = Hermetic, CRES, passivate finish, conductive, -65°C to 200°C H = Hermetic, CRES, passivate finish, conductive, -65°C to 200°C (space grade)					
Shell Size Code	A, B, C, D, E, F, G, H and J (per MIL-STD-1560)					
Insert Arrangement	Per MIL-STD-1560; See reference information section for details					
Contact Type	P = Pin, solder cup S = Socket, solder cup		X = Pin, eyelet Z = Socket, eyelet		C = Pin, PCB flex feedthrough D = Socket, PCB flex feedthrough	
Alternate Polarization	A, B, C, D, E, N = Normal					



Contact Size		
Size	ø P	
22D	.015 (0.38)	FEEDTHROUGH CONTACT STYLE C AND D
	.011 (0.28)	
20	.028 (0.71)	SIZE 12 AND SIZE 16
	.024 (0.61)	
16	.0635 (1.61)	SIZE 22D AND SIZE 20
	.0615 (1.56)	
12	.095 (2.41)	
	.093 (2.36)	



Wire Accommodation	
Contact Size	Wire Gauge
22D	#22 - #28
20	#20 - #24
16	#16 - #20
12	#12 - #14

COTS EQUIVALENT MIL-DTL-38999 Series III, Triple-Start Thread



233-100-H2 box mount hermetic receptacle

SERIES III HERMETIC

COTS Part Number Development						
Sample Part Number	233-100-H2	Z1	11	-35	P	N
Series / Basic Part No.	233-100-H2 = Hermetic, box mount receptacle					
Material/Finish*	ZL = CRES, nickel finish, conductive, -65°C to 200°C Z1 = CRES, passivate finish, conductive, -65°C to 200°C Z1S = Hermetic, CRES, passivate finish, conductive, -65°C to 200°C (space grade)					
Shell Size	9, 11, 13, 15, 17, 19, 21, 23, 25					
Insert Arrangement	Per MIL-STD-1560; See reference information section for details					
Contact Type	P = Pin, solder cup S = Socket, solder cup		X = Pin, eyelet Z = Socket, eyelet		C = Pin, PCB flex feedthrough D = Socket, PCB flex feedthrough	
Alternate Polarization	A, B, C, D, E, N (Normal),					

Additional material/finish options are available, consult factory for ordering information.

Dimensions							
Shell Size Code	Shell Size	A Thread .1P-.3L-TS-2A	B Sq ±.012	C Bsc	D Bsc	E ±.008	F ±.008
A	9	.6250	.937 (23.80)	.719 (18.26)	.594 (15.09)	.128 (3.25)	.216 (5.49)
B	11	.7500	1.031 (26.19)	.812 (20.62)	.719 (18.26)	.128 (3.25)	.194 (4.93)
C	13	.8750	1.126 (28.60)	.906 (23.01)	.812 (20.62)	.128 (3.25)	.194 (4.93)
D	15	1.0000	1.220 (30.99)	.969 (24.61)	.906 (23.01)	.173 (4.39)	.173 (4.39)
E	17	1.1875	1.311 (33.30)	1.062 (26.97)	.969 (24.61)	.128 (3.25)	.194 (4.93)
F	19	1.2500	1.437 (36.50)	1.156 (29.36)	1.062 (26.97)	.128 (3.25)	.194 (4.93)
G	21	1.3750	1.563 (39.70)	1.250 (31.75)	1.156 (29.36)	.128 (3.25)	.194 (4.93)
H	23	1.5000	1.689 (42.90)	1.375 (34.92)	1.250 (31.75)	.154 (3.91)	.242 (6.15)
J	25	1.6250	1.811 (46.00)	1.500 (38.10)	1.375 (34.92)	.150 (3.81)	.242 (6.15)

Series III Alternate Keyway Polarizations																				
Shell Size Code	Shell Size	Key and Keyway ID Letter	AR° BSC	BR° BSC	CR° BSC	DR° BSC	Shell Size Code	Shell Size	Key and Keyway Code	AR° BSC	BR° BSC	CR° BSC	DR° BSC	Shell Size Code	Shell Size	Key and Keyway ID Letter	AR° BSC	BR° BSC	CR° BSC	DR° BSC
A	9	N	105	140	215	265	B C D	11 13 15	N	95	141	208	236	E F G H J	17 19 21 23 25	N	80	142	196	293
		A	102	132	248	320			A	113	156	182	292			A	135	170	200	310
		B	80	118	230	312			B	90	145	195	252			B	49	169	200	244
		C	35	140	205	275			C	53	156	220	255			C	66	140	200	257
		D	64	155	234	304			D	119	146	176	298			D	62	145	180	280
		E	91	131	197	240			E	51	141	184	242			E	79	153	197	272

Additional Material/Finish Options	
Finish Code	Description
Z1S†	CRES, passivate finish, conductive, -65°C to 200°C, space-grade

† Connectors ordered with "Z1S" include outgas processing to conform to outgassing requirements of Class H.