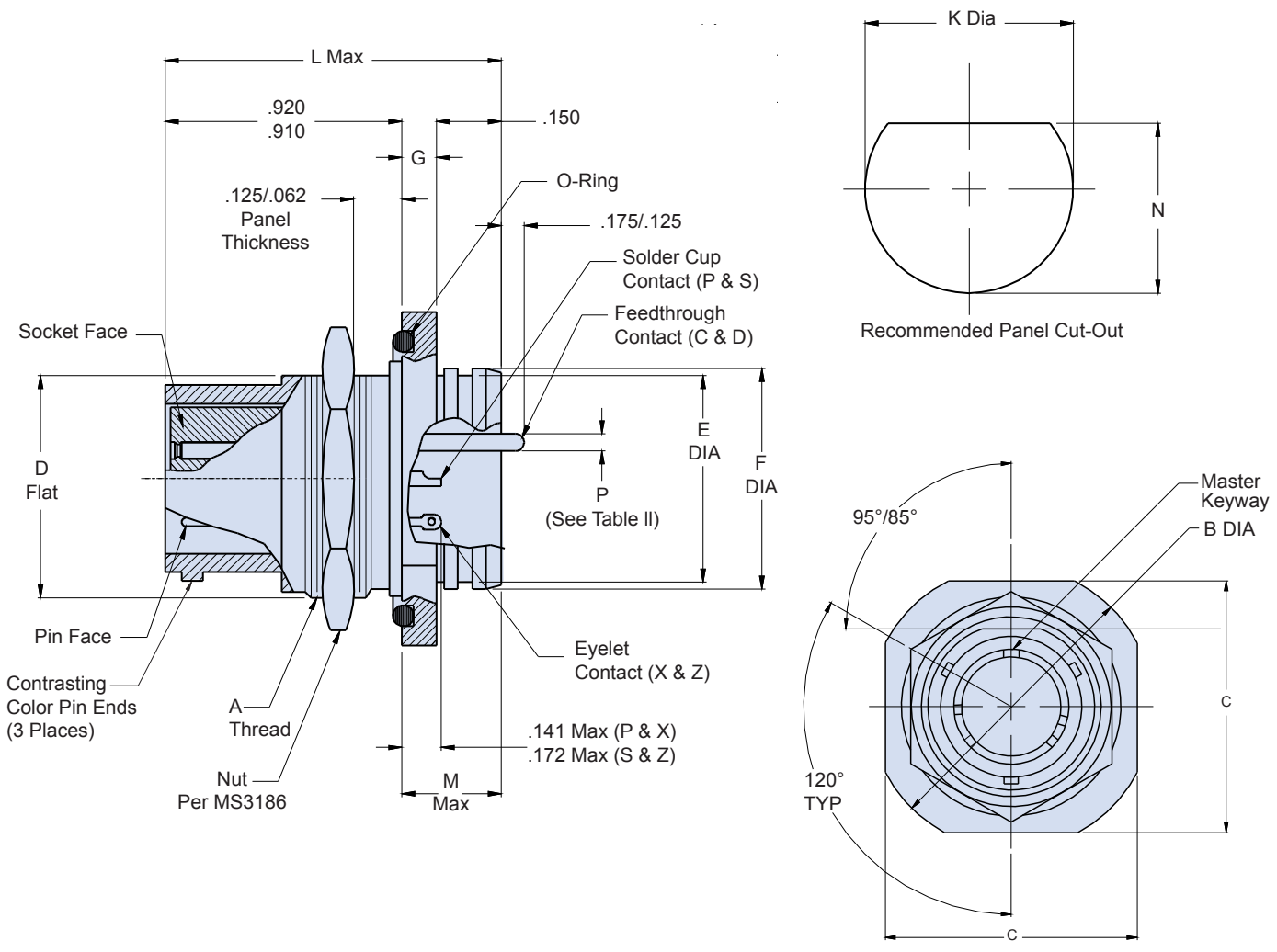
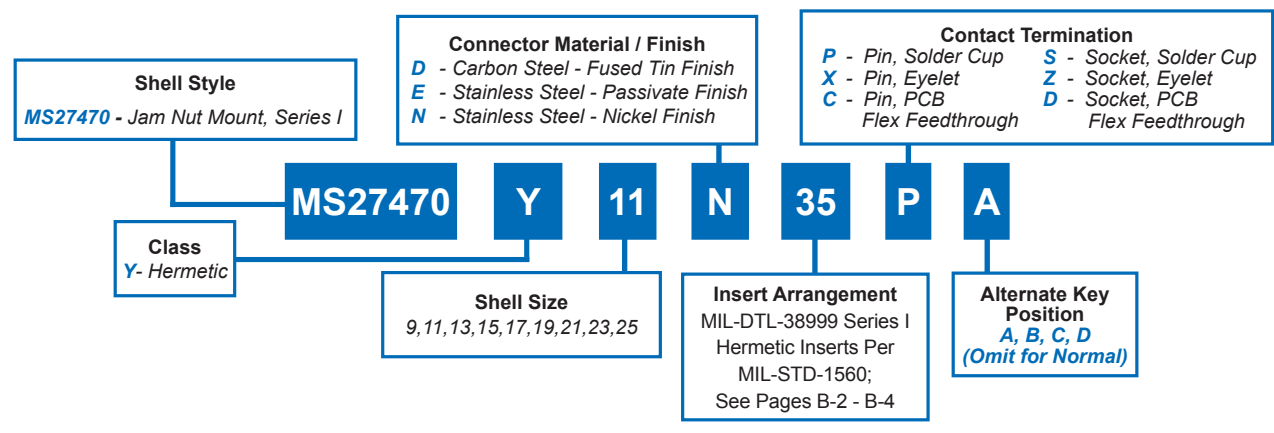




MS27470 Jam Nut Mount Hermetic Receptacle MIL-DTL-38999 Series I

How To Order: MS

B



Dimensions in Inches (millimeters) are subject to change without notice.

© 2013 Glenair, Inc. U.S. CAGE Code 06324 Printed in U.S.A.

GLENAIR, INC. • 1211 AIR WAY • GLENDALE, CA 91201-2497 • 818-247-6000 • FAX 818-500-9912
 www.glenair.com B-18 E-Mail: sales@glenair.com

231-100-H7
Jam Nut Mount Hermetic Receptacle
MIL-DTL-38999 Series I Type



How To Order: Commercial

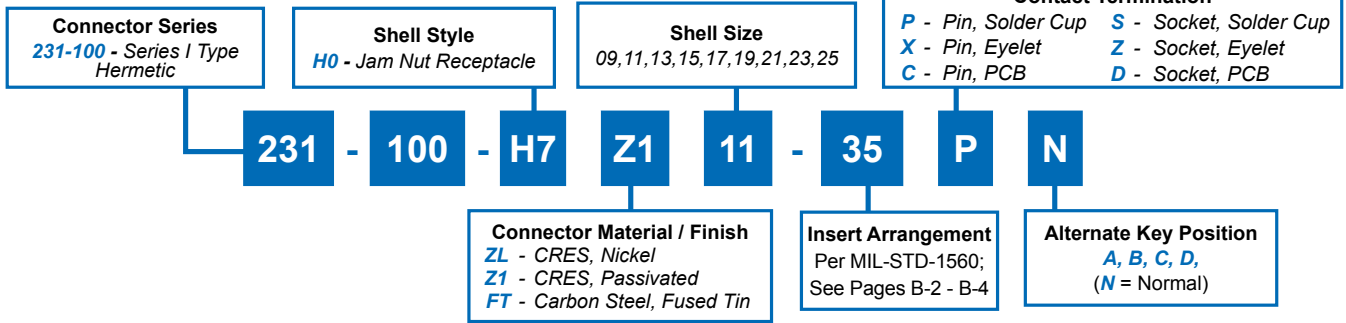
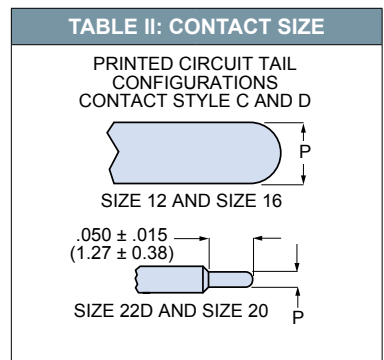


TABLE I: CONNECTOR DIMENSIONS

SHELL SIZE	A THREAD CLASS 2A	B DIA ±.016(0.4)	C ±.016(0.4)	D FLAT ±.005(0.1)	E DIA ±.011(0.3)	F DIA ±.005(0.1)
9	.6875-24 UNEF	1.188(30.2)	1.062(27.0)	.65(16.5)	.602(15.3)	.648(16.5)
11	.8125-20 UNEF	1.375(34.9)	1.25(31.8)	.75(19.1)	.726(18.4)	.772(19.6)
13	1.000-20 UNEF	1.5(38.1)	1.375(34.9)	.937(23.8)	.852(21.6)	.898(22.8)
15	1.125-18 UNEF	1.625(41.3)	1.5(38.1)	1.061(26.9)	.978(24.8)	1.024(26.0)
17	1.250-18 UNEF	1.75(44.5)	1.625(41.3)	1.186(30.1)	1.102(28.0)	1.148(29.2)
19	1.375-18 UNEF	1.938(49.2)	1.812(46.0)	1.311(33.3)	1.228(31.2)	1.274(32.4)
21	1.500-18 UNEF	2.062(52.4)	1.938(49.2)	1.436(36.5)	1.352(34.3)	1.398(35.5)
23	1.625-18 UNEF	2.188(55.6)	2.062(52.4)	1.561(39.6)	1.478(37.5)	1.524(38.7)
25	1.750-18 UNS	2.312(58.7)	2.188(55.6)	1.686(42.8)	1.602(40.7)	1.648(41.9)

TABLE I (CONTINUED): CONNECTOR DIMENSIONS

SHELL SIZE	G ±.016(0.4)	K DIA ±.005 (0.1)	L MAX	M MAX	N ± .004 (0.1)
9	.109 (2.8)	.698 (17.7)	1.200 (30.5)	.280 (7.1)	.657 (16.7) +.004(.1)/-.002(.1)
11	.109 (2.8)	.830 (21.1)	1.200 (30.5)	.280 (7.1)	.765 (19.43)
13	.109 (2.8)	1.015 (25.8)	1.200 (30.5)	.280 (7.1)	.949 (24.10)
15	.109 (2.8)	1.140 (29.0)	1.200 (30.5)	.280 (7.1)	1.079 (27.41)
17	.109 (2.8)	1.265 (32.1)	1.200 (30.5)	.280 (7.1)	1.204 (30.58)
19	.140 (3.6)	1.390 (35.3)	1.231 (31.3)	.311 (7.9)	1.329 (33.76)
21	.140 (3.6)	1.515 (38.5)	1.231 (31.3)	.311 (7.9)	1.454 (36.93)
23	.140 (3.6)	1.640 (41.7)	1.231 (31.3)	.311 (7.9)	1.579 (40.11)
25	.140 (3.6)	1.765 (44.8)	1.231 (31.3)	.311 (7.9)	1.704 (43.28)



Contact Size	ø P
22D	.011 (0.28) .015 (0.38)
20	.024 (0.61) .028 (0.71)
16	.0635 (1.61) .0615 (1.56)
12	.095 (2.41) .093 (2.36)

HERMETIC LEAK RATE MOD CODES

Designator	Required Leak Rate
-585A	1 x 10 ⁻¹⁰ cc Helium per second
-585B	1 x 10 ⁻⁹ cc Helium per second
-585C	1 x 10 ⁻⁸ cc Helium per second

WIRE ACCOMODATION

Contact Size	Wire Gauge
22D	#22 - #28
20	#20 - #24
16	#16 - #20
12	#12 - #14

Dimensions in Inches (millimeters) are subject to change without notice.