



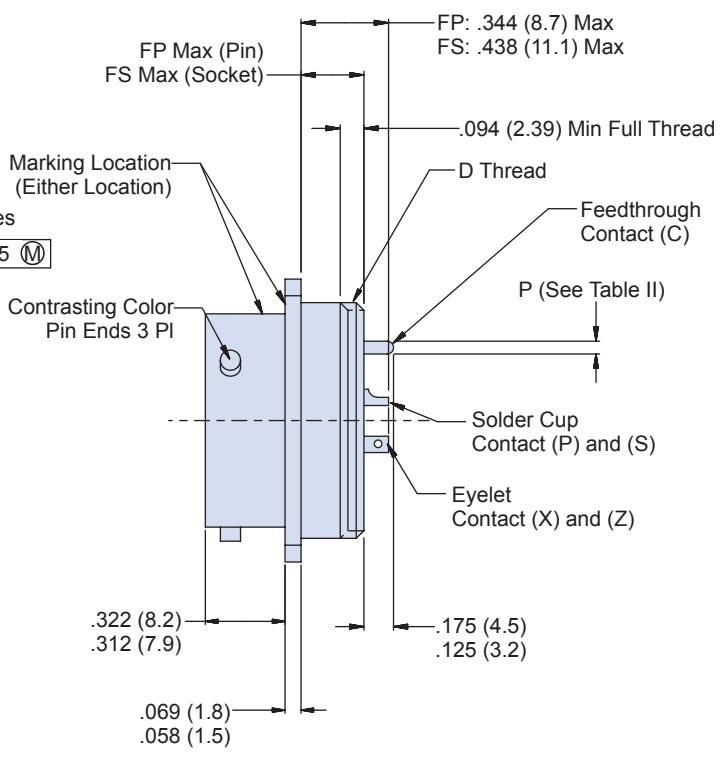
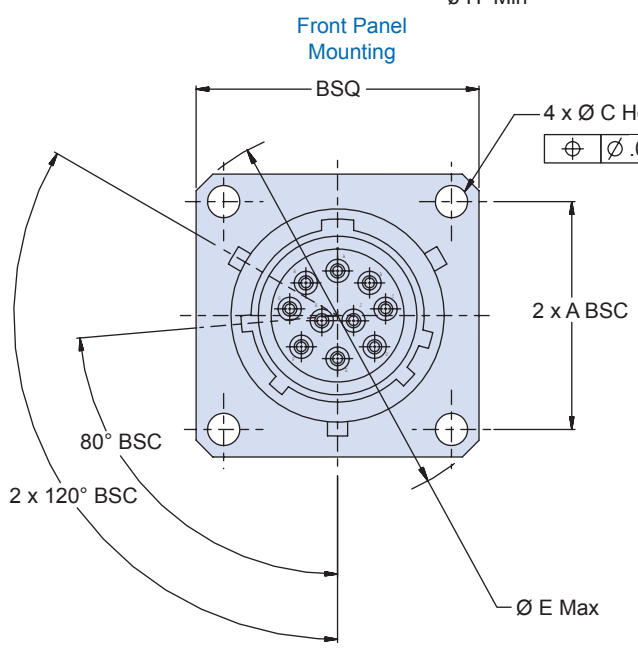
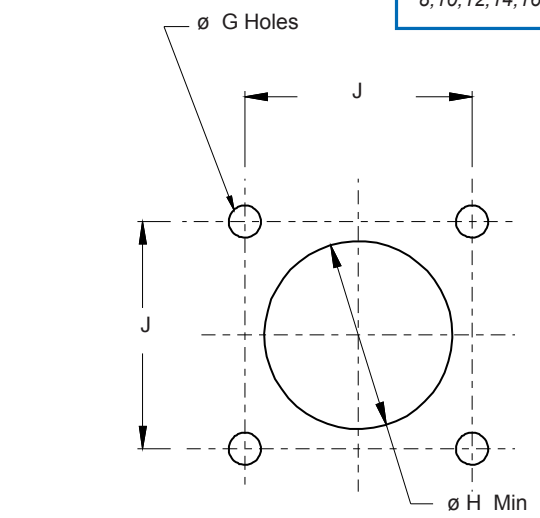
MS27475 Wall Mount Hermetic Receptacle MIL-DTL-38999 Series II

How To Order: MS

Shell Style MS27475 - Wall Mount, Series II	Connector Material / Finish D - Carbon Steel - Fused Tin Finish E - Stainless Steel - Passivate Finish N - Stainless Steel - Nickel Finish	Contact Termination P - Pin, Solder Cup S - Socket, Solder Cup X - Pin, Eyelet Z - Socket, Eyelet C - Pin, PCB D - Socket, PCB Flex Feedthrough Flex Feedthrough
---	--	---

MS27475 Y 10 N 35 P A

Class Y - Hermetic	Shell Size 8, 10, 12, 14, 16, 18, 20, 22, 24	Insert Arrangement MIL-DTL-38999 Series II Hermetic Inserts Per MIL-STD-1560; See Pages B-2 - B4	Alternate Key Position A, B, C, D (Omit for Normal)
------------------------------	--	---	--



Dimensions in Inches (millimeters) are subject to change without notice.

232-100-H0

Wall Mount Hermetic Receptacle

MIL-DTL-38999 Series II Type



How To Order: Commercial

Connector Series
232-100 - Series II Type Hermetic

Shell Style
H0 - Wall Mount

Shell Size
08, 10, 12, 14, 16, 18, 20, 22, 24

Contact Termination
P - Pin, Solder Cup **S** - Socket, Solder Cup
X - Pin, Eyelet **Z** - Socket, Eyelet
C - Pin, PCB **D** - Socket, PCB

B

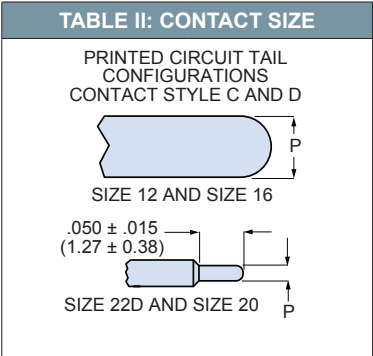
232 - 100 - H0 Z1 8 - 35 P N

Connector Material / Finish
ZL - CRES, Nickel
Z1 - CRES, Passivated
FT - Carbon Steel, Fused Tin

Insert Arrangement
Per MIL-STD-1560;
See Pages B-2 - B-4

Alternate Key Position
A, B, C, D,
(N = Normal)

SHELL SIZE	A BSC	B SQ MAX	Ø C HOLES	D Threads (UNEF-2A)	Ø E MAX	FP MAX	FS MAX
8/08	.594(15.1)	.828(21.0)	.130(3.3) .115(2.9)	.5625-24	1.078(27.4)	.250 (6.35)	.375 (9.5)
10	.719(18.3)	.954(24.2)		.6875-24	1.256(31.9)		
12	.812(20.6)	1.047(26.6)		.8125-20	1.391(35.3)		
14	.906(23.0)	1.141(29.0)		.9375-20	1.516(38.5)		
16	.969(24.6)	1.234(31.3)		1.0625-18	1.641(41.7)		
18	1.062(27.0)	1.328(33.7)		1.1875-18	1.766(44.9)		
20	1.156(29.4)	1.453(36.9)		1.3125-18	1.891(48.0)		
22	1.250(31.8)	1.578(40.1)		1.4375-18	2.016(51.2)		
24	1.375(34.9)	1.703(43.3)	.157(4.0) .142(3.6)	1.5625-18	2.204(56.0)	.375 (9.53)	.406 (10.3)



Contact Size	Ø P
22D	.011 (0.28) .015 (0.38)
20	.024 (0.61) .028 (0.71)
16	.0635 (1.61) .0615 (1.56)
12	.095 (2.41) .093 (2.36)

SHELL SIZE	Ø G HOLES	Ø H MIN	Ø J BSC
8	.133(3.4) .123(3.1)	.570(14.5)	.594(15.1)
10		.690(17.5)	.719(18.3)
12		.820(20.8)	.812(20.6)
14		.940(23.9)	.906(23.0)
16		1.070(27.2)	.969(24.6)
18		1.190(30.2)	1.062(27.0)
20	1.320(33.5)	1.156(29.4)	
22	.159(4.0)	1.440(36.6)	1.250(31.8)
24	.149(3.8)	1.570(39.9)	1.375(34.9)

Contact Size	Wire Gauge
22D	#22 - #28
20	#20 - #24
16	#16 - #20
12	#12 - #14

Designator	Required Leak Rate
-585A	1 x 10 ⁻¹⁰ cc Helium per second
-585B	1 x 10 ⁻⁹ cc Helium per second
-585C	1 x 10 ⁻⁸ cc Helium per second

Dimensions in Inches (millimeters) are subject to change without notice.