



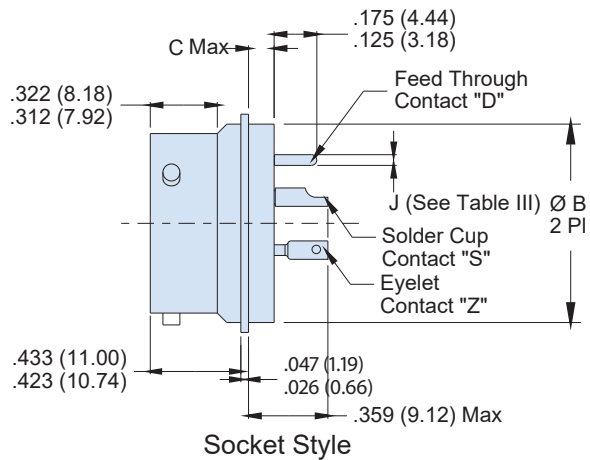
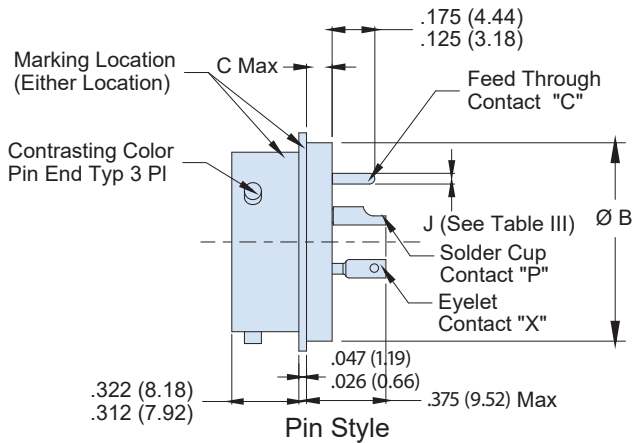
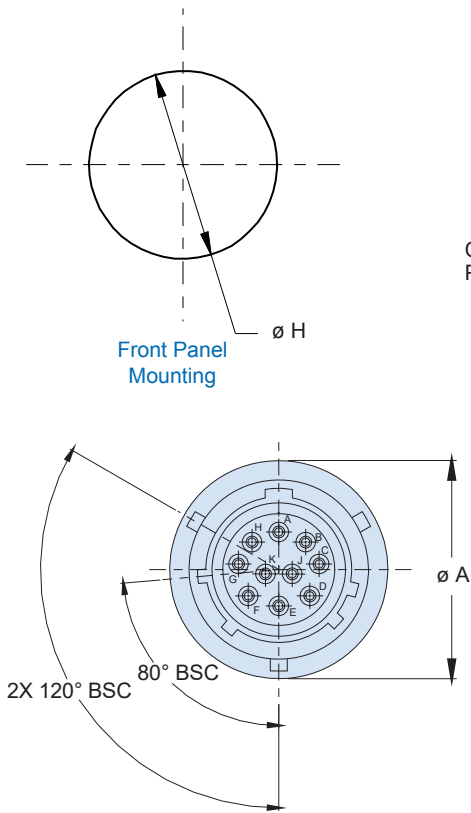
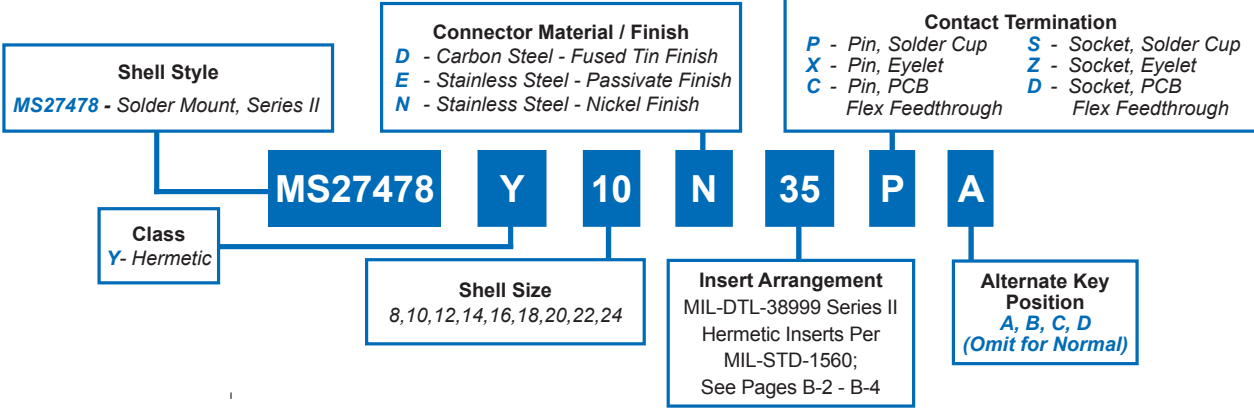
MS27478

Solder Mount Hermetic Receptacle

MIL-DTL-38999 Series II

How To Order: MS

B

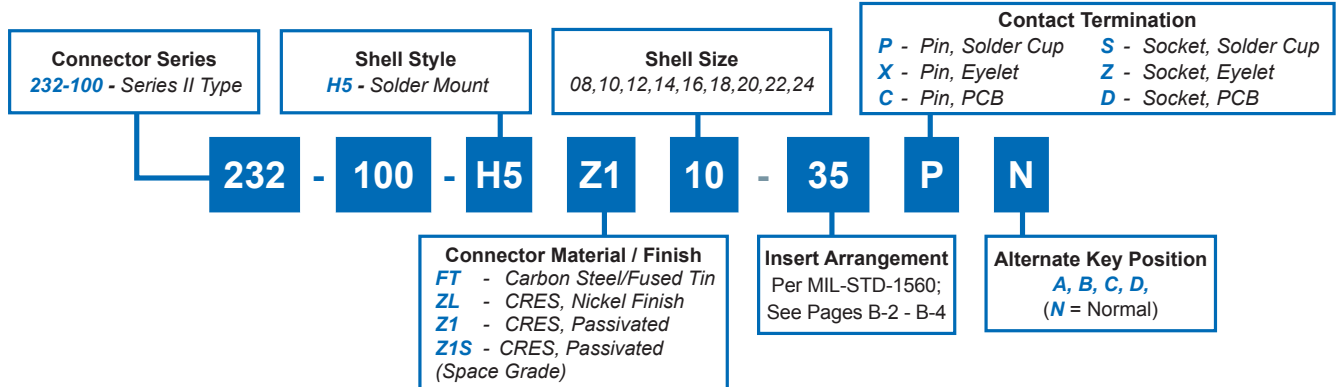


Dimensions in Inches (millimeters) are subject to change without notice.

232-100-H5 Solder Mount Hermetic Receptacle MIL-DTL-38999 Series II Type



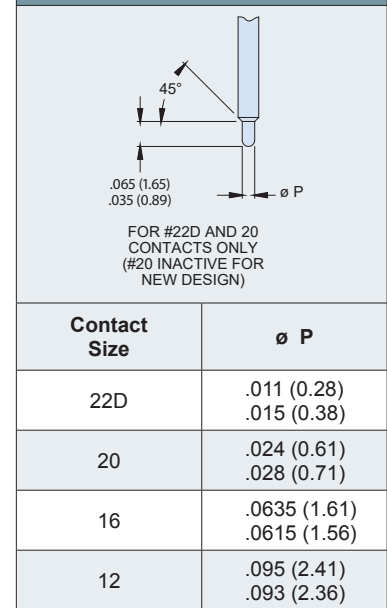
How To Order: Commercial



HERMETIC LEAK RATE MOD CODES	
Designator	Required Leak Rate
-585A	1 x 10 ⁻¹⁰ cc Helium per second
-585B	1 x 10 ⁻⁹ cc Helium per second
-585C	1 x 10 ⁻⁸ cc Helium per second

TABLE I: CONNECTOR DIMENSIONS				
SHELL SIZE	ø A	ø B	C MAX	ø H
8/08	0.698 (17.73)	0.563 (14.30)	0.125 (3.18)	0.575 (14.60)
	0.677 (17.20)	0.557 (14.15)		0.565 (14.35)
10	0.808 (20.52)	0.673 (17.09)		0.685 (17.40)
	0.787 (19.99)	0.667 (16.94)		0.675 (17.15)
12	0.917 (23.29)	0.782 (19.86)		0.794 (20.17)
	0.896 (22.76)	0.776 (19.71)		0.784 (19.91)
14	1.042 (26.47)	0.907 (23.04)		0.919 (23.34)
	1.021 (25.93)	0.901 (22.89)		0.909 (23.09)
16	1.167 (29.64)	1.032 (26.21)		1.044 (26.52)
	1.146 (29.11)	1.026 (26.06)		1.034 (26.26)
18	1.292 (32.82)	1.157 (29.39)	1.169 (29.69)	
	1.271 (32.28)	1.151 (29.24)	1.159 (29.44)	
20	1.386 (35.20)	1.251 (31.78)	1.263 (32.08)	
	1.365 (34.67)	1.245 (31.62)	1.253 (31.83)	
22	1.511 (38.38)	1.376 (34.95)	1.388 (35.26)	
	1.490 (37.85)	1.370 (34.80)	1.378 (35.00)	
24	1.511 (38.38)	1.501 (38.13)	0.156 (3.96)	1.513 (38.43)
	1.490 (37.85)	1.495 (37.97)	1.503 (38.18)	

TABLE II: CONTACT SIZE



WIRE ACCOMODATION

Contact Size	Wire Gauge
22D	#22 - #28
20	#20 - #24
16	#16 - #20
12	#12 - #14

Dimensions in Inches (millimeters) are subject to change without notice.