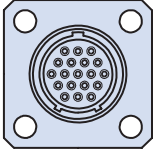
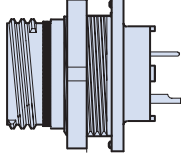


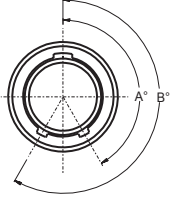
801-122

Series 801 Mighty Mouse CODE RED Hermetic Receptacle Double-Start ACME Threads How to Order Information



How To Order						
Sample Part Number	801-122	-07	ZNU	6-4	P	N
Series	801-013 = CODE RED Hermetic Receptacle					
Shell Style (See Table I)	-02 = Square Flange Mount -07 = Jam-Nut Rear Panel Mount					
Shell Material and Finish	M = Aluminum / Electroless Nickel ME = Aluminum / Electroless Nickel, Thick NF = Aluminum / Cad-Nickel/Olive Drab ZN = Aluminum / Zinc-Nickel/Olive Drab ZNU/ZR = Aluminum / Zinc-Nickel/Black Chromate					
Shell Size - Insert Arrangement	See Contact Arrangements page C-4. See Page C-10 for PCB footprints					
Contact Type	E = Pin, Solder Cup F = Socket, Solder Cup		P = Pin, PC Tail S = Socket, PC Tail			
Polarization	A = Normal B = Pos. B C = Pos. C D = Pos. D E = Pos. E F = Pos. F					

Table I: Shell Style	
	
-02 Square Flange	-07 Jam-Nut, Rear Panel Mount

Key Positions		
		
Position	A°	B°
A	150°	210°
B	75°	210°
C	95°	230°
D	140°	275°
E	75°	275°
F	95°	210°

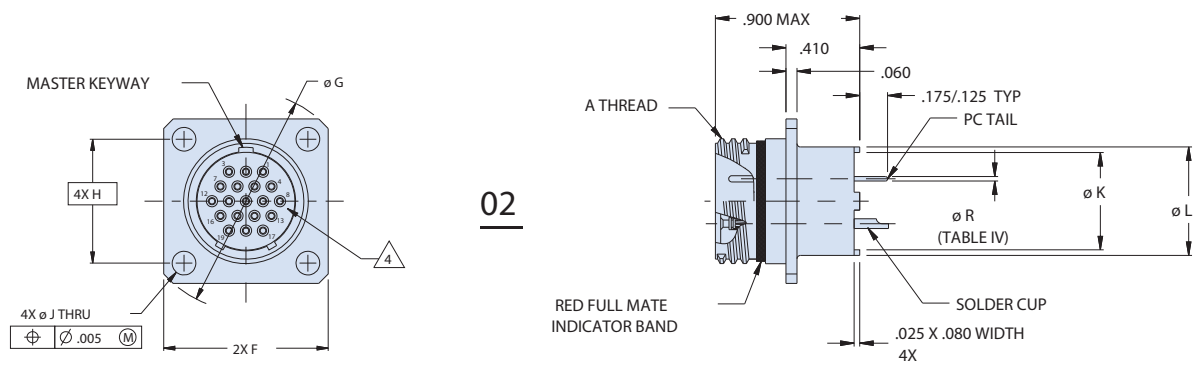
Dimensions in Inches (millimeters) are subject to change without notice.



801-122-02

Series 801 Mighty Mouse CODE RED Hermetic Receptacle -02 Square Flange

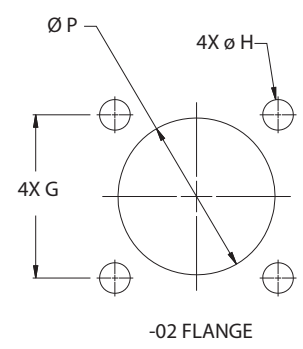
C



02

Dimensions															
Shell Size	A THREAD	F SQ		Ø G		Ø H		Ø J		Ø K		Ø L			
		In.	mm.	In.	mm.	In.	mm.	In.	mm.	In.	mm.	In.	mm.		
5	.3125-.05P-.1L-2A	.530	13.46	.680	17.27	.363	9.22	.096	2.44	.197	5.00	.244	6.20		
6	.3750-.05P-.1L-2A	.590	14.99	.750	19.05	.423	10.74			.236	5.99	.330	8.38		
7	.4375-.05P-.1L2A	.650	16.51	.850	21.59	.483	12.27			.324	8.23	.432	10.97		
8	.5000-.05P-.1L-2A	.712	18.08	.938	23.83	.545	13.84			.390	9.91	.493	12.52		
9	.5625-.05P-.1L-2A	.850	21.59	1.125	28.58	.607	15.42			.444	11.28	.551	14.00		
10	.6250-.05P-.1L-2A	.890	22.61	1.188	30.18	.670	17.02	.130	3.30	.520	13.21	.620	15.75		
11	.6875-.05P-.1L-2A	.935	23.75	1.250	31.75	.715	18.16			.557	14.15	.662	16.81		
13	.8125-.1P-.2L-2A	1.030	26.16	1.375	34.93	.812	20.62			.596	15.14	.703	17.86		
16	1.000-.1P-.2L-2A	1.219	30.96	1.625	41.28	.981	24.92			.756	19.20	.863	21.92		
17	1.062-.1P-.2L-2A	1.280	32.51	1.700	43.18	1.060	26.92			.805	20.45	.912	23.16		
19	1.1875-.1P-.2L-2A	1.432	36.37	1.900	48.26	1.191	30.25			.910	23.11	1.018	25.86		
21	1.3125-.1P-.2L-2A	1.565	39.75	2.100	53.34	1.322	33.58			.126	3.20	1.061	26.95	1.170	29.72

Panel Cut-Out Dimensions						
Shell Size	Ø G		Ø H		Ø P	
	In.	mm.	In.	mm.	In.	mm.
5	.680	17.27	.363	9.22	.330	8.38
6	.750	19.05	.423	10.74	.390	9.91
7	.850	21.59	.483	12.27	.450	11.43
8	.938	23.83	.545	13.84	.510	12.95
9	1.125	28.58	.607	15.42	.575	14.61
10	1.188	30.18	.670	17.02	.640	16.26
11	1.250	31.75	.715	18.16	.700	17.78
13	1.375	34.93	.812	20.62	.825	20.96
16	1.625	41.28	.981	24.92	1.015	25.78
17	1.700	43.18	1.060	26.92	1.075	27.31
19	1.900	48.26	1.191	30.25	1.200	30.48
21	2.100	53.34	1.322	33.58	1.330	33.78

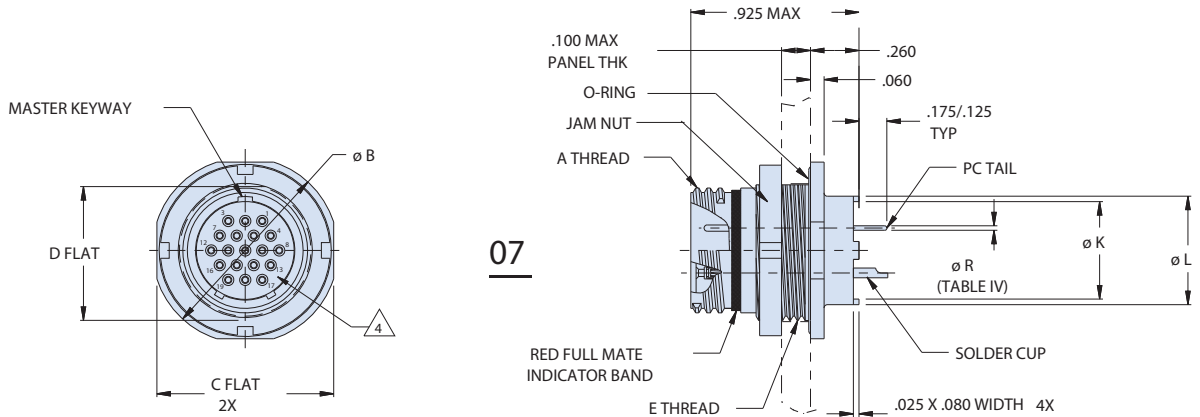


Dimensions in Inches (millimeters) are subject to change without notice.

801-122-07
Series 801 Mighty Mouse CODE RED Hermetic Receptacle
-07 Jam Nut



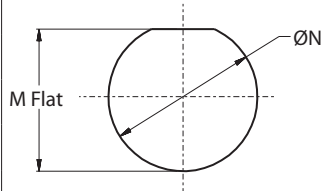
Series 80
Mighty Mouse



C

Dimensions												
Shell Size	A THREAD	Ø B		C Flat		D Flat		E Thread UN-2A	Ø K		Ø L	
		In.	mm.	In.	mm.	In.	mm.		In.	mm.	In.	mm.
5	.3125-.05P-.1L-2A	.575	14.61	.545	13.84	.350	8.89	.3750-28	.197	5.00	.244	6.20
6	.3750-.05P-.1L-2A	.635	16.13	.595	15.11	.410	10.41	.4375-28	.236	5.99	.330	8.38
7	.4375-.05P-.1L2A	.755	19.18	.723	18.36	.536	13.61	.5625-32	.324	8.23	.432	10.97
8	.5000-.05P-.1L-2A	.755	19.18	.723	18.36	.536	13.61	.5625-32	.390	9.91	.493	12.52
9	.5625-.05P-.1L-2A	.830	21.08	.790	20.07	.596	15.14	.6250-28	.444	11.28	.551	14.00
10	.6250-.05P-.1L-2A	.890	22.61	.855	21.72	.658	16.71	.6875-28	.520	13.21	.620	15.75
11	.6875-.05P-.1L-2A	.960	24.38	.925	23.50	.718	18.24	.7500-28	.557	14.15	.662	16.81
13	.8125-.1P-.2L-2A	1.078	27.38	1.044	26.52	.845	21.46	.8750-28	.596	15.14	.703	17.86
16	1.000-.1P-.2L-2A	1.264	32.11	1.230	31.24	1.022	25.96	1.0625-20	.756	19.20	.863	21.92
17	1.062-.1P-.2L-2A	1.325	33.66	1.290	32.77	1.096	27.84	1.1250-28	.805	20.45	.912	23.16
19	1.1875-.1P-.2L-2A	1.450	36.83	1.415	35.94	1.225	31.11	1.2500-28	.910	23.11	1.018	25.86
21	1.3125-.1P-.2L-2A	1.625	41.28	1.577	40.06	1.346	34.19	1.3750-28	1.061	26.95	1.170	29.72

Series 801 Jam Nut Panel Cutout					
Shell Size	M Flat		Ø N		
	± .002	(.005)			
5	.356	9.04	.385	9.8	9.7
6	.416	10.57	.448	11.4	11.3
7	.542	13.77	.573	14.6	14.4
8	.542	13.77	.573	14.6	14.4
9	.602	15.29	.635	16.1	16.0
10	.664	16.87	.698	17.7	17.6
11	.726	18.44	.760	19.3	19.2
13	.851	21.62	.885	22.5	22.4
16	1.028	26.11	1.075	27.3	27.2
17	1.102	27.99	1.135	28.8	28.7
19	1.233	31.32	1.260	32.0	31.9
21	1.351	34.32	1.385	35.2	35.1



Dimensions in Inches (millimeters) are subject to change without notice.