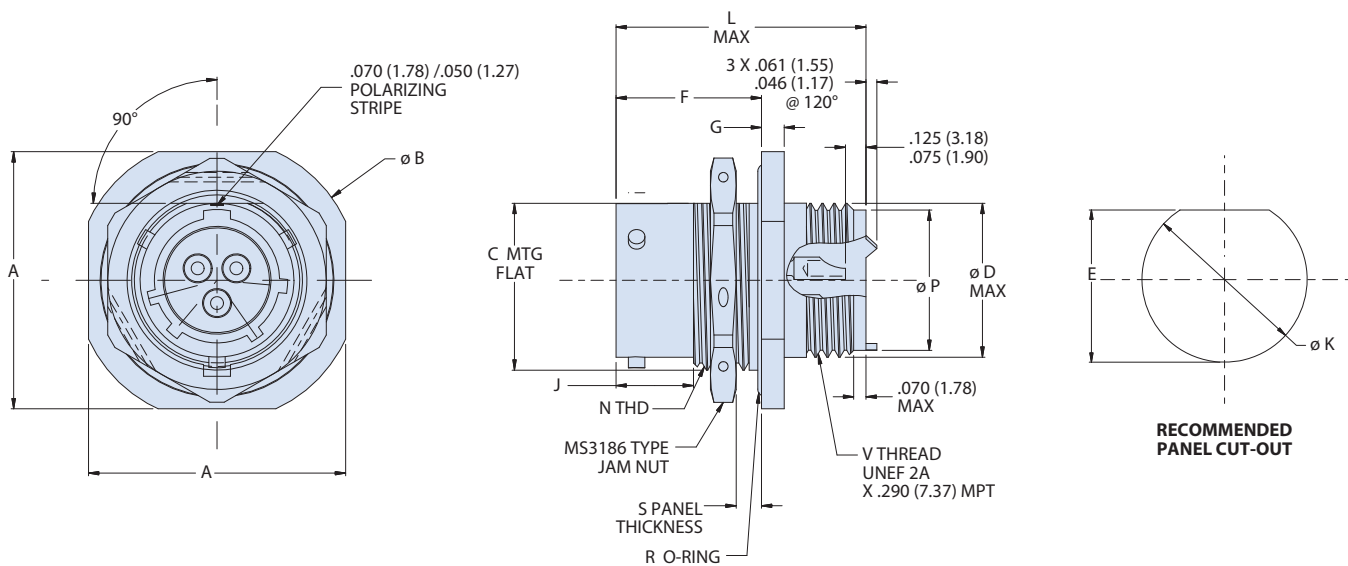
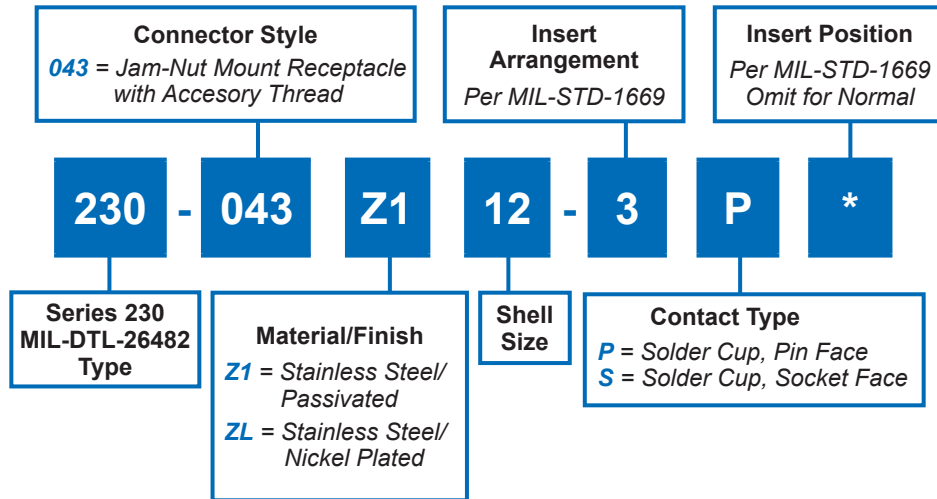


# 230-043

## MIL-DTL-26482 Series II Type Hermetic Bayonet Coupling Jam-Nut Receptacle with Accessory Thread MIL-DTL-26482 Type

D



### APPLICATION NOTES

- Material/Finish:**
  - Shell: Per part number development  
Titanium and Inconel® available. Consult factory.
  - Bayonets, socket hoods - CRES/passivate
  - Contacts, hermetic - 52 Nickel alloy/gold plate
  - Contacts, socket - Copper alloy/gold plated
  - Insulator, hermetic - Full glass
  - Insulator, socket - High-grade rigid dielectric
  - Seals - Silicone rubber
  - O-rings - Fluorosilicone elastomer
- Testing criteria:**
  - Hermeticity -  $<1 \times 10^{-7}$  ccHe/sec @ delta 1 ATM pressure
  - DWV - per MIL-STD-1669 service rating
  - IR - 5000 megohms min @ 500 VDC
- 230-043 will mate with any QPL MIL-DTL-26482 plug having the same size, insert, polarization, and opposite contact gender

230-043

**MIL-DTL-26482 Series II Type Hermetic  
Bayonet Coupling Jam-Nut Receptacle with Accessory Thread  
MIL-DTL-26482 Type**

MIL-DTL-26482  
Type

D

Dimensions								
Shell Size	A LENGTH +.000 -0.031	B $\phi$ +.000 -0.031 ACROSS FLANGE CORNER	C +.000 -0.010 MTG. FLAT	D $\phi$ MAX	E PANEL FLAT LOCATION $\pm$ .005	F MOUNTING FLANGE LOCATION	G FLANGE THICKNESS	J TO THREAD CHAMFER $\pm$ .010
8	0.954 (24.23)	1.078 (27.38)	0.530 (13.46)	0.499 (12.67)	0.536 (13.61)	.707 (17.96) .691 (17.55)	.113 (2.87) .097 (2.46)	0.368 (9.35)
10	1.078 (27.38)	1.203 (30.56)	0.655 (16.64)	0.625 (15.88)	0.661 (16.79)	.707 (17.96) .691 (17.55)	.113 (2.87) .097 (2.46)	0.368 (9.35)
12	1.266 (32.16)	1.391 (35.33)	0.818 (20.78)	0.750 (19.05)	0.824 (20.93)	.707 (17.96) .691 (17.55)	.113 (2.87) .097 (2.46)	0.368 (9.35)
14	1.391 (35.33)	1.516 (38.51)	0.942 (23.93)	0.875 (22.23)	0.948 (24.08)	.707 (17.96) .691 (17.55)	.113 (2.87) .097 (2.46)	0.368 (9.35)
16	1.516 (38.51)	1.641 (41.68)	1.062 (26.97)	1.000 (25.40)	1.072 (27.23)	.707 (17.96) .691 (17.55)	.113 (2.87) .097 (2.46)	0.368 (9.35)
18	1.641 (41.68)	1.766 (44.86)	1.191 (30.25)	1.066 (27.08)	1.197 (30.40)	.707 (17.96) .691 (17.55)	.113 (2.87) .097 (2.46)	0.368 (9.35)
20	1.828 (46.43)	1.954 (49.63)	1.316 (33.43)	1.187 (30.15)	1.322 (33.58)	.772 (19.61) .754 (19.15)	.148 (3.76) .128 (3.25)	0.368 (9.35)
22	1.954 (49.63)	2.078 (52.78)	1.441 (36.60)	1.312 (33.32)	1.447 (36.75)	.772 (19.61) .754 (19.15)	.148 (3.76) .128 (3.25)	0.368 (9.35)
24	2.078 (52.78)	2.203 (55.96)	1.566 (39.78)	1.437 (36.50)	1.572 (39.93)	.803 (20.40) .785 (19.94)	.148 (3.76) .128 (3.25)	0.395 (10.03)

Dimensions									
Shell Size	K +.010 -0.005 PANEL MOUNTING HOLE	L OVERALL LENGTH	N UNEF-2A MOUNTING THREAD	P $\phi$ MAX	R O-RING SEAL M25988/3-	S PANEL THICKNESS		V UNEF-2A	
						MIN	MAX		
8	0.572 (14.53)	1.215 (30.86)	.5625-24	0.437 (11.10)	016 (406.40)	0.062 (1.57)	0.187 (4.75)	.500-20	
10	0.697 (17.70)		.6875-24	0.572 (14.53)	018 (457.20)			.625-24	
12	0.885 (22.48)		.875-20	0.687 (17.45)	021 (533.40)			.750-20	
14	1.010 (25.65)		1.000-20	0.812 (20.62)	023 (584.20)			.875-20	
16	1.135 (28.83)		1.125-18	0.937 (23.80)	025 (635.00)			1.000-20	
18	1.260 (32.00)		1.250-18	0.992 (25.20)	027 (685.80)			1.0625-18	
20	1.385 (35.18)	1.315 (33.40)	1.375-18	1.117 (28.37)	029 (736.60)		0.250 (6.35)	1.1875-18	
22	1.510 (38.35)		1.500-18	1.242 (31.55)	030 (762.00)		1.3125-18		
24	1.635 (41.53)		1.346 (34.19)	1.625-18	1.367 (34.72)		031 (787.40)		1.4375-18