

# MIL-DTL-26482 Type Key/Keyway Positions



MIL-DTL-26482  
Type

**D**

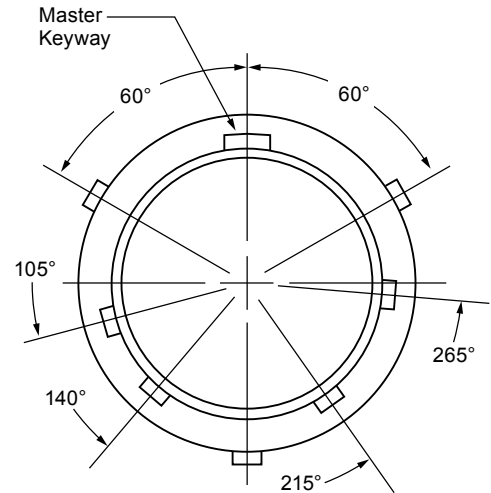
| Insert Arrangements   |                                |                           |    |                |                |                |
|-----------------------|--------------------------------|---------------------------|----|----------------|----------------|----------------|
| Shell Size Designator | Insert Arrangement Dash Number | Contact Size and Quantity |    |                |                | Service Rating |
|                       |                                | 20                        | 16 | 12             | 8              |                |
| 8                     | 8-2                            | 2                         |    |                |                | I              |
|                       | 8-3                            | 3                         |    |                |                | I              |
|                       | 8-4                            | 4                         |    |                |                | I              |
|                       | 8-33                           | 3                         |    |                |                | I              |
|                       | 8-98                           | 3                         |    |                |                | I              |
| 10                    | 10-6                           | 6                         |    |                |                | I              |
|                       | 10-98                          | 6                         |    |                |                | I              |
| 12                    | 12-3                           |                           | 3  |                |                | II             |
|                       | 12-8                           | 8                         |    |                |                | I              |
|                       | 12-10                          | 10                        |    |                |                | I              |
| 14                    | 14-4                           |                           |    | 4              |                | I              |
|                       | 14-5                           |                           | 5  |                |                | II             |
|                       | 14-9                           | 5                         |    | 4              |                | I              |
|                       | 14-12                          | 8                         | 4  |                |                | I              |
|                       | 14-15                          | 14                        | 1  |                |                | I              |
|                       | 14-18                          | 18                        |    |                |                | I              |
|                       | 14-19                          | 19                        |    |                |                | I              |
|                       | 14-22                          | 1                         |    | 4              |                | I              |
| 16                    | 16-8                           |                           | 8  |                |                | II             |
|                       | 16-14                          | 8                         |    | 6              |                | I              |
|                       | 16-23                          | 22                        | 1  |                |                | I              |
|                       | 16-26                          | 26                        |    |                |                | I              |
|                       | 16-95                          | 6                         |    |                | 2 <sup>1</sup> | I              |
|                       | 16-99                          | 21                        | 2  |                |                | I              |
| 18                    | 18-8                           |                           |    | 8              |                | I              |
|                       | 18-11                          |                           | 11 |                |                | II             |
|                       | 18-30                          | 29                        | 1  |                |                | I              |
|                       | 18-32                          | 32                        |    |                |                | I              |
|                       | 18-85                          | 5                         |    | 8              |                | I              |
|                       | 18-88                          | 88                        |    |                | 4 <sup>1</sup> | I              |
| 20                    | 20-16                          |                           | 16 |                |                | II             |
|                       | 20-24                          | 24                        |    |                |                | I              |
|                       | 20-27                          | 27                        |    |                |                | I              |
|                       | 20-39                          | 37                        | 2  |                |                | I              |
|                       | 20-41                          | 41                        |    |                |                | I              |
|                       | 20-90                          | 3                         |    | 12             |                | I              |
| 22                    | 22-12                          |                           |    | 12             |                | I              |
|                       | 22-19                          |                           |    | 19             |                | I              |
|                       | 22-21                          |                           | 21 |                |                | II             |
|                       | 22-32                          | 32                        |    |                |                | I              |
|                       | 22-34                          | 34                        |    |                |                | I              |
|                       | 22-41                          | 27                        | 14 |                |                | I              |
|                       | 22-55                          | 55                        |    |                |                | I              |
|                       | 22-95                          | 26                        |    | 6              |                | I              |
| 22-96                 |                                |                           |    | 7 <sup>1</sup> | I              |                |
| 24                    | 24-19                          |                           |    | 19             |                | II             |
|                       | 24-27                          | 11                        |    | 16             |                | I              |
|                       | 24-31                          |                           | 31 |                |                | I              |
|                       | 24-61                          | 61                        |    |                |                | I              |

Note 1: Shielded, not applicable to Series II or hermetic connectors.

© 2013 Glenair, Inc.

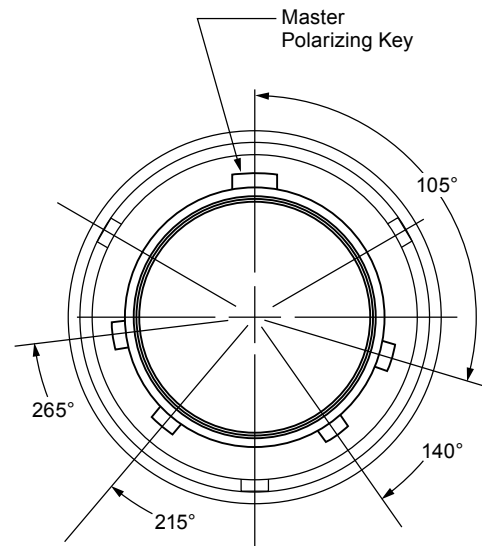
U.S. CAGE Code 06324

Printed in U.S.A.



**Receptacle**

Inserts rotate from centerline of master key/keyway clockwise for pin inserts (counter-clockwise for socket inserts) as specified in MIL-STD-1669. Refer to MIL-STD-1669 or consult factory for alternate insert information.



**Plug**