

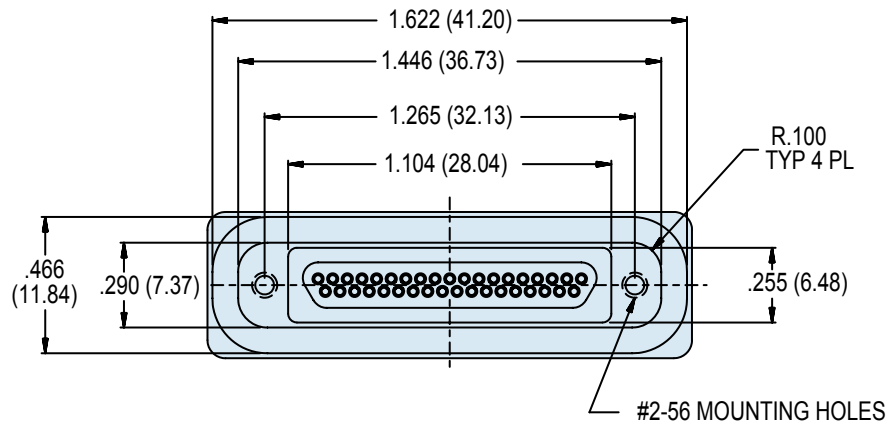
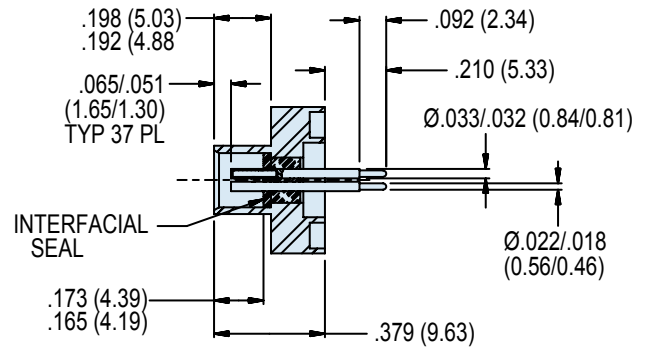
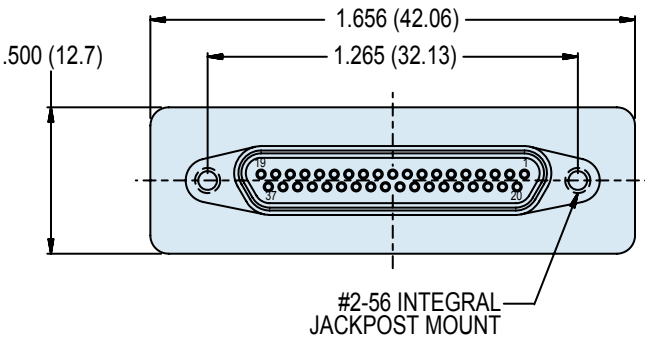
177-232
MIL-DTL-83513 Type Micro-D Hermetic Connectors
Socket Shell, Size 37 Front Mount



Conductive Elastomer O-Ring eliminates the cost of soldering the connector to a bulkhead.

Kovar® Shells and Contacts comply with applicable MIL-DTL-83513 requirements and are 100% intermateable with standard connectors.

HOW TO ORDER PC TAIL CONNECTORS	
Series	
177-232	
Micro-D Hermetic Socket Shell, Size 37, Front Mount	
Sample Part Number	
177-232	



Dimensions in Inches (millimeters) are subject to change without notice.

