



177-859 MIL-DTL-83513 Type Micro-D Hermetic Connectors Socket Shell, Size 9-21 Front Mount



Fluorosilicone O-Ring eliminates the cost of soldering the connector to a bulkhead.

Kovar® Shells and Contacts comply with applicable MIL-DTL-83513 requirements and are 100% intermateable with standard connectors.

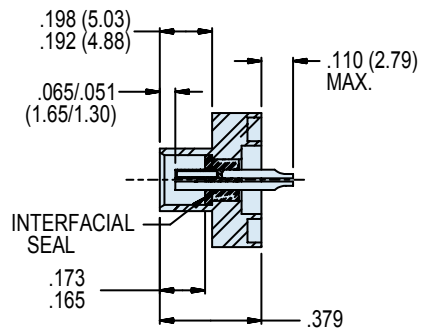
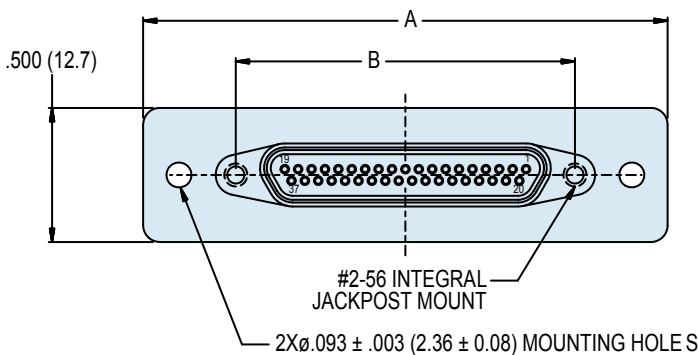
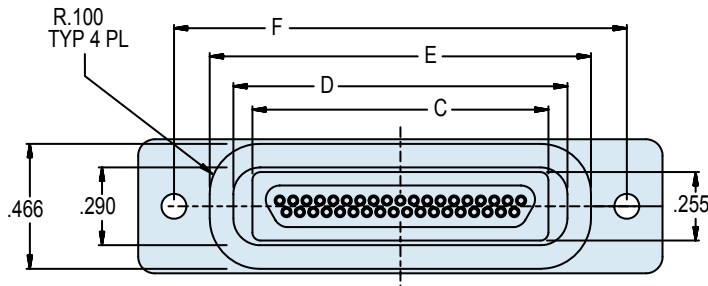
DIMENSIONS

Layout	A Max.		B		C MAX.		D		E MAX.		F Max.	
	In.	mm.	In. ±.005	mm. ±0.13	In.	mm.	In. ±.003	mm. ±0.08	In.	mm.	In.	mm.
9	1.176	29.87	.565	14.35	.380	9.65	.600	15.24	.776	19.71	.976	24.79
15	1.326	31.39	.715	18.16	.530	13.46	.750	19.05	.926	23.52	1.126	28.60
21	1.416	35.97	.865	21.97	.680	17.27	.840	21.34	1.016	25.81	1.216	30.89

K

HOW TO ORDER SOLDER CUP CONNECTORS

Series	Layout Number of Contacts	O-Ring Material
177-859 Micro-D Hermetic Socket Shell, Size 9-12, Front Mount	-9 -15 -21	-1 – Viton® -2 – Nitrile -3 – Fluorosilicone -4 – Silicone -5 – Conductive
Sample Part Number		
177-859	-15	-1



Dimensions in Inches (millimeters) are subject to change without notice.