



**2570-1290**  
**Single Pin High Temperature High Pressure (HTHP)**  
**Hermetic • Single-Pin Feedthrough**

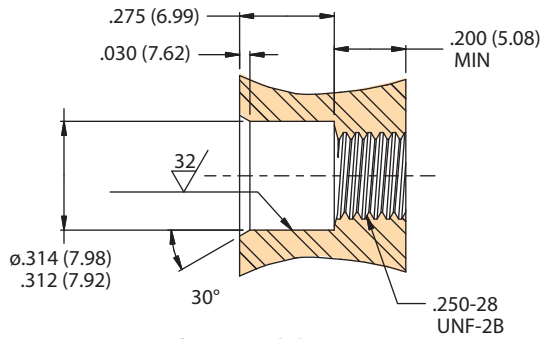
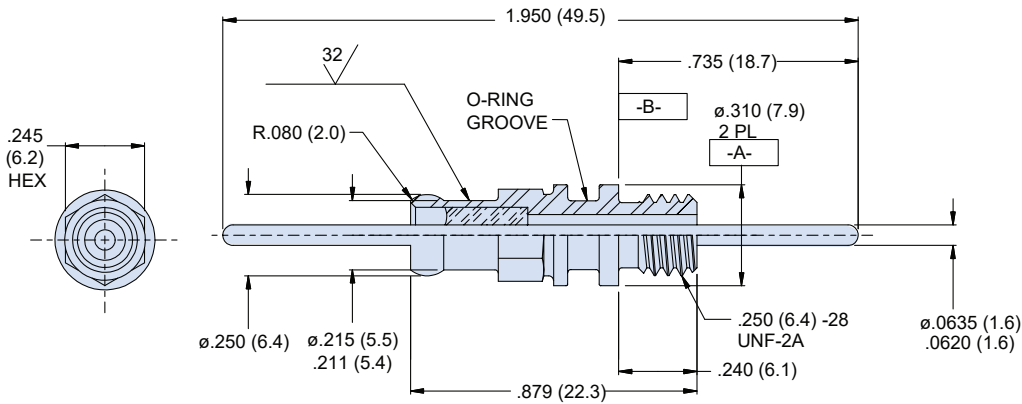


**Product Series**

**O-Ring Option**  
 Omit for None  
 (See Table I)

**2570-1290**

**- V**



**TABLE I: O-RING OPTION**

O-Ring Size AS568 2-008	O-Ring Material 90 Shore
E	Ethylene-Propylene
K	FFKM (Kalrez®)
V	FKM (Viton™)

**APPLICATION NOTES**

1. Use O-ring size 2-008	3. Performance Tests: Hermeticity - $<1 \times 10^{-8}$ sccHe/sec @ 1 ATM diff D.W.V. - 1000 VDC pin to shell without breakdown I.R. - 5000 megohms min @ 500 VDC (ambient) 500 megohms min @ 500 VDC (300° F)
2. Material / Finish: Body - Inconel® X-750 / none Pin - Inconel® X-750 / gold plate .00005 min. thick Insulator - vitreous glass / n/a O-Ring - Per Table I/N/A	

Dimensions in Inches (millimeters) are subject to change without notice.