

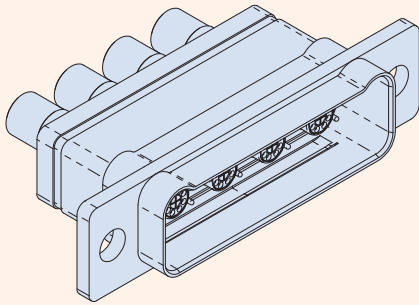
SERIES 792

High-Speed Ultraminiature Rectangular Connectors



792-002P Receptacle Connectors

Snap-in, Rear Release Contacts



RELIABLE DESIGN

- 100% scoop-proof
- Snap-in, rear release contacts
- EMI shell-to-shell continuity

High-speed

- Quadrax or El Ochito® contacts (purchased separately)

Size 8 quadrax or El Ochito® octaxial contacts. Rugged construction. Ultraminiature. Series 792 connectors are intended for 10Gb Ethernet, USB 3.0 and other multi-gigabit protocols. 792-002P cable connectors feature machined aluminum shells with polarizing lobes. Scoop-proof interface for problem-free service. **Snap-in size 8 contacts are purchased separately.** "Combo" arrangements are supplied with unassembled size 23 contacts. Military-grade materials, finishes and construction.

How To Order

	Sample Part Number → 792-002P	E-5W5	M	E	S
Product	792-002P = Cable Receptacle, Pin Contacts				
Insert Arrangement	See Table 2				
Shell Finish	M = Electroless Nickel MT = Nickel-PTFE ZR = Black Zinc-Nickel				
EMI Spring	N = No EMI Spring E = EMI Spring				
Mating Hardware (Table 1)	N = Thru-Holes (no hardware) S = Short Screwlocks, Hex Head T = Long Screwlocks, Slot Head L = Short Jackscrews, Hex Head K = Long Jackscrews, Slot Head P = Female Jackposts				

Table 1 Mating Hardware

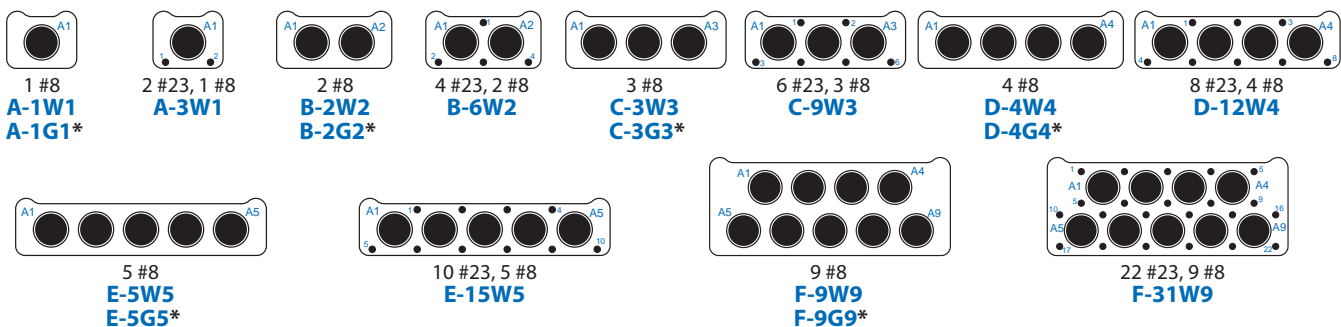
Thread size is #8-32. 300 series stainless steel. Jackscrews and screwlocks are non-removeable. Screwlocks allow full connector mating before the screwlocks are tightened. Jackscrews must be tightened to mate the connectors.

N No Hardware Thru-holes in flange	P Jackpost with nut and washer	L Short Jackscrew Hex head	K Long Jackscrew Slot head	S Short Screwlock Hex head	T Long Screwlock Slot head

Table 2 Insert Arrangements

Cavity identification numbers shown are for mating face of receptacle connectors with pin contacts.

* Insert arrangements with "G" designator are grounded type with metal insert. Insert arrangements with "W" designator have thermoplastic dielectric.



SERIES 792

High-Speed Ultraminiature Rectangular Connectors



792-002P Receptacle Connectors

Snap-in, Rear Release Contacts

Technical Data

Specifications

- Operating temperature: -65° to +150°C
- Current rating, size 23 contact: 5A
- Voltage rating (DWV): 750 Vac, size 23 1800 Vac size 8 body to connector shell
- Wire size, #23 contact: AWG 22-28
- Shock: EIA-364-27 condition D
- Vibration: EIA-364-28 condition V, letter E
- Insulation Resistance: 5000 MΩ min.
- Shell-to-shell resistance with EMI spring: 2.5 mΩ max.
- Altitude immersion: 75,000 feet

Construction

- Shell: aluminum alloy
- Metal insert: aluminum, nickel plated
- Insulators: high-grade rigid dielectric
- Contacts: copper alloy, 50 microinches gold over nickel plating
- Wire grommet, interfacial seal: fluorosilicone blend
- Contact retention clip, insert retention clip: copper alloy
- EMI spring: copper alloy, nickel plated
- Hardware: 300 series stainless steel, passivated

Size 8 Datalink Pin Contacts (not supplied with Connector)



Differential Twinax
853-076



Quadrax
854-047



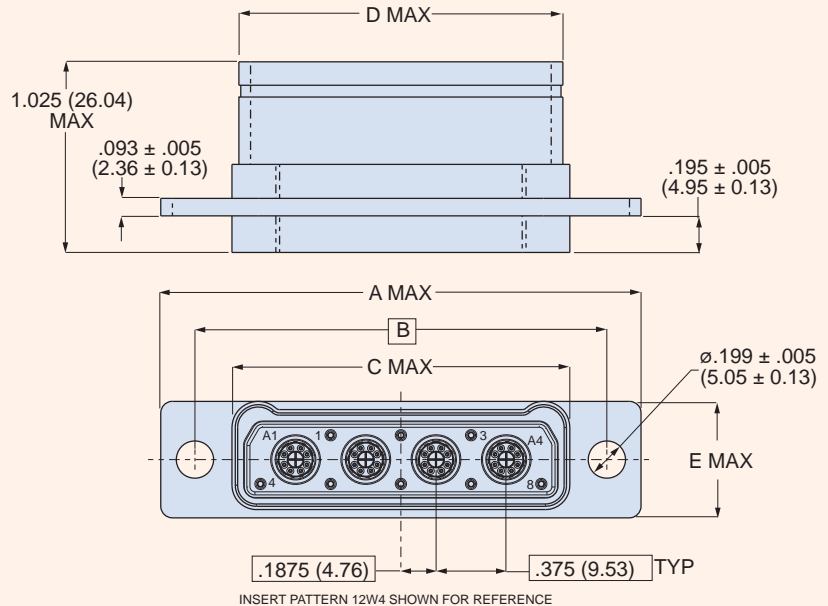
El Ochito Type I
10Gb Ethernet 858-045
USB 3.0 858-047
HDMI, DisplayPort, SATA 858-049



El Ochito Type II
10Gb Ethernet (White) 858-043

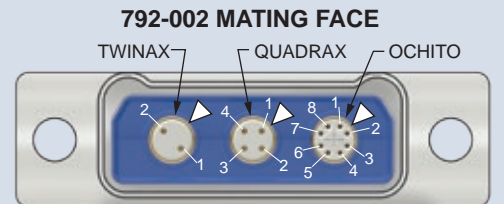
792-002P Dimensions

Shell Size	A Max		B Basic		C Max		D Max		E Max	
	In.	mm.	In.	mm.	In.	mm.	In.	mm.	In.	mm.
A	1.455	36.96	1.075	27.31	.690	17.53	.610	15.49	.635	16.13
B	1.830	46.48	1.450	36.83	1.065	27.05	.985	25.02	.635	16.13
C	2.205	56.01	1.825	46.36	1.440	36.58	1.360	34.54	.635	16.13
D	2.580	65.53	2.200	55.88	1.815	46.10	1.735	44.07	.635	16.13
E	2.955	75.06	2.575	65.41	2.190	55.62	2.110	53.59	.635	16.13
F	2.955	75.06	2.575	65.41	2.190	55.62	2.110	53.59	1.010	25.65



Contact Polarizing Key Location and Identification

Series 792 connectors have a polarizing keyway in size 8 contact cavities. This keyway orients and aligns twinax, quadrax and El Ochito® contacts. The connector keyway is rotated 45° from top dead center. These illustrations show the location of the polarizing key and the contact numbers when looking at the mating face of the receptacle (pin) connector.



Size 23 Pin Contacts

Contact	Crimper	Positioner
850-163	809-015 (M22520/2-01)	809-005

Insertion/Removal Tools

Insertion/Removal Tool for Size 23 Contact	Removal Tool for Size 8 Contacts
809-088	859-049 (M81969/14-12)