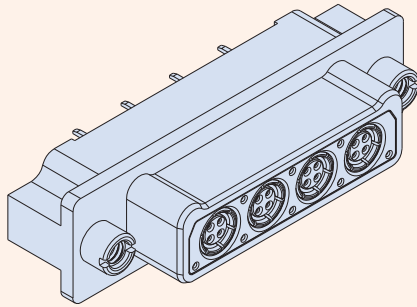


# SERIES 792

## High-Speed Ultraminiature Rectangular Connectors



### 792-018S Quadrax PCB Plug Connectors Epoxy-Sealed Straight PC Tail Quadrax Contacts



#### Technical Data

##### Specifications

- Operating temperature: -65 to +125 °C
- Current rating, size 23 contact: 5A
- Current rating, Ochito contacts: 1.5A
- Voltage rating (DWV): 500 Vac
- Shock: EIA-364-27 condition D
- Vibration: EIA-364-28 condition V, letter E
- Insulation Resistance: 5000 MΩ min.
- Shell-to-shell resistance with EMI spring: 2.5 mΩ max.
- Altitude immersion: 75,000 feet

##### Construction

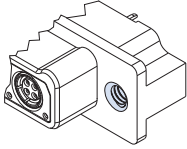
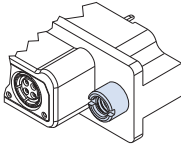
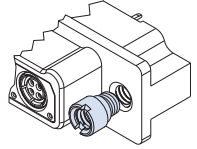
- Shell: aluminum alloy
- Metal insert: aluminum, nickel plated
- Insulators: high-grade rigid dielectric
- Size 23 contacts: copper alloy, 50 microinches gold over nickel plating
- Ochito contacts  
inner and outer contacts: copper alloy, 50 microinches gold over nickel plating. Insulators: high-grade rigid thermoplastic. Splines: nickel-plated copper alloy (Ochito White), polyimide (Ochito Blue and Red)
- Hardware: 300 series SST, passivated

**Board mount Quadrax contacts. EMI protection.** Series 792 PCB mount Quadrax connectors are intended for 100BASE-T and ARINC 664 protocols. 792-018S connectors feature quadrax contacts with straight printed circuit board tails, machined aluminum shells and environmental protection. Scoop-proof interface for problem-free service. Military-grade performance and construction.

#### How To Order

	Sample P/N → <b>792-018S</b>	<b>D-12P4</b>	<b>MT</b>	<b>P</b>
<b>Product</b>	<b>792-018S</b> = PCB Plug, Quadrax Socket Contacts			
<b>Insert Arrangement</b>	See Table 2			
<b>Shell Finish</b>	<b>M</b> = Electroless Nickel <b>MT</b> = Nickel-PTFE <b>ZR</b> = Black Zinc-Nickel			
<b>Mating Hardware (Table 1)</b>	<b>N</b> = No jackpost <b>P</b> = Jackpost <b>R1</b> = Rear panel jackpost, .032 (0.81) panel <b>R2</b> = Rear panel jackpost, .050 (1.27) panel <b>R3</b> = Rear panel jackpost, .062 (1.59) panel <b>R4</b> = Rear panel jackpost, .080 (2.03) panel <b>R5</b> = Rear panel jackpost, .093 (2.36) panel <b>R6</b> = Rear panel jackpost, .125 (3.18) panel			






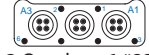
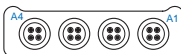



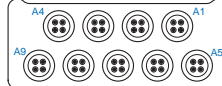
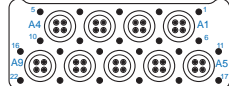
#### Table 1 Hardware Option

 <b>N</b> <b>No Jackpost</b> Connector supplied with blind tapped holes	 <b>P</b> <b>Jackposts</b> Non-removable female jackpost. 8-32 UNC-2B thread.	 <b>R1 – R6</b> <b>Rear Panel Jackposts</b> For rear panel mounting. 8-32 UNC-2B thread.
---	--	--

#### Table 2 Insert Arrangements

Cavity identification numbers shown are for mating face of plug connectors with socket contacts.

\* Insert arrangements with "G" designator are grounded type with metal insert. Insert arrangements with "P" designator have thermoplastic dielectric.

 1 Quadrax <b>A-1P1</b> <b>A-1G1*</b>	 1 Quadrax, 2 #23 <b>A-3P1</b>	 2 Quadrax <b>B-2P2</b> <b>B-2G2*</b>	 2 Quadrax, 4 #23 <b>B-6P2</b>	 3 Quadrax <b>C-3P3</b> <b>C-3G3*</b>	 3 Quadrax, 6 #23 <b>C-9P3</b>
 4 Quadrax <b>D-4P4</b> <b>D-4G4*</b>	 4 Quadrax, 8 #23 <b>D-12P4</b>	 5 Quadrax <b>E-5P5</b> <b>E-5G5*</b>	 5 Quadrax, 10 #23 <b>E-15P5</b>	 9 Quadrax <b>F-9P9</b> <b>F-9G9*</b>	 9 Quadrax, 22 #23, <b>F-31P9</b>

# SERIES 792

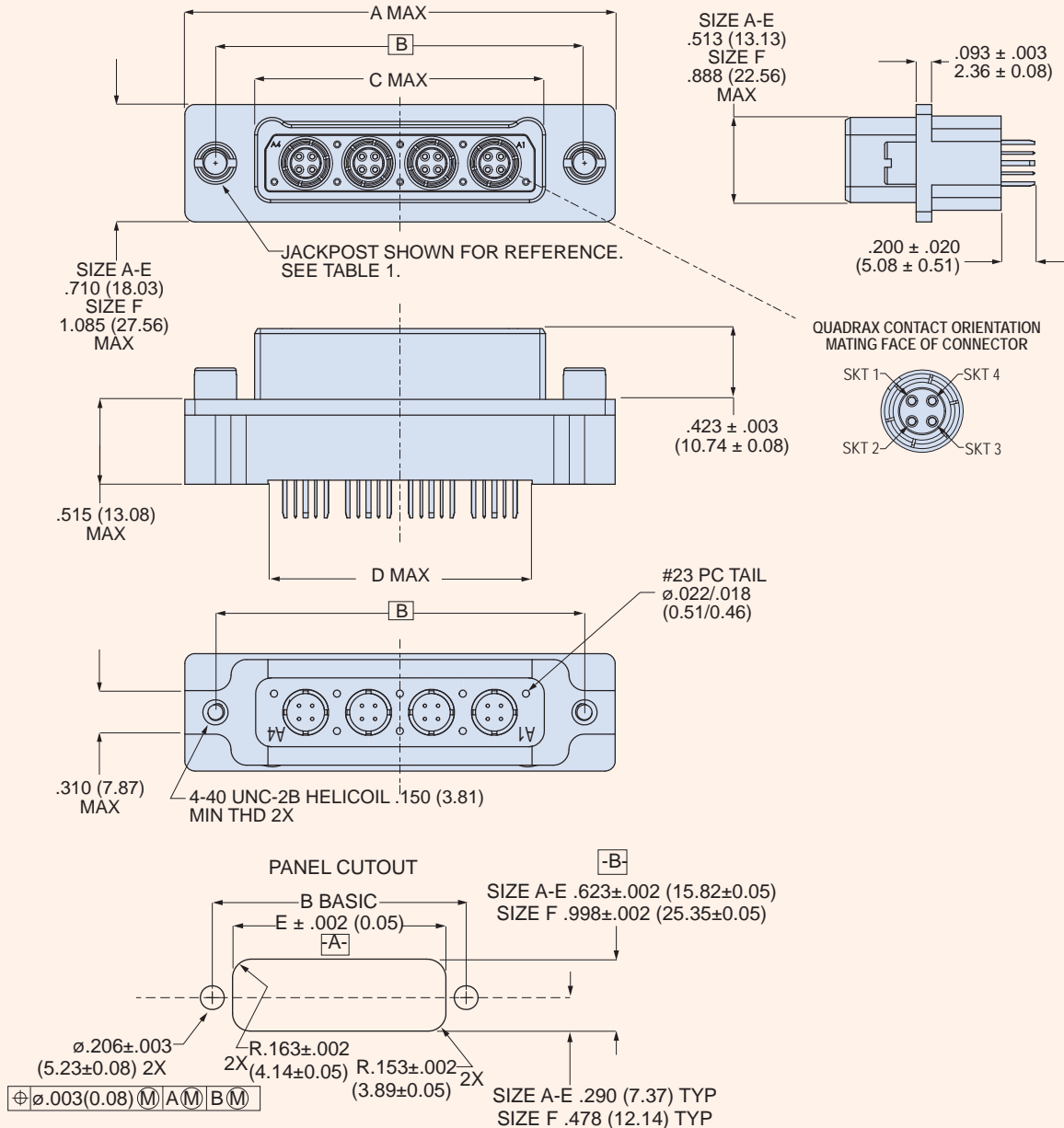
## High-Speed Ultraminiature Rectangular Connectors



### 792-018S Quadrax PCB Plug Connectors

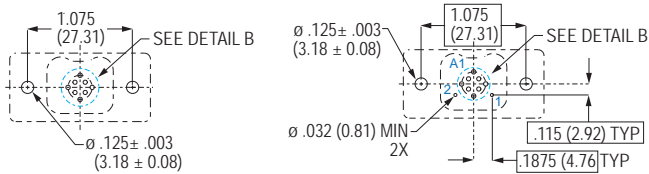
#### Epoxy-Sealed Straight PC Tail Quadrax Contacts

792-018S Dimensions										
Shell Size	A Max		B Basic		C Max		D Max		E ±.002 (0.05)	
	In.	mm.	In.	mm.	In.	mm.	In.	mm.	In.	mm.
<b>A</b>	1.455	36.96	1.075	27.31	.615	15.62	.460	11.68	.725	18.42
<b>B</b>	1.830	46.48	1.450	36.83	.990	25.15	.835	21.21	1.100	27.94
<b>C</b>	2.205	56.01	1.825	46.36	1.365	34.67	1.210	30.73	1.475	37.47
<b>D</b>	2.580	65.53	2.200	55.88	1.740	44.20	1.585	40.26	1.850	46.99
<b>E</b>	2.955	75.06	2.575	65.41	2.115	53.72	1.960	49.78	2.225	56.52
<b>F</b>	2.955	75.06	2.575	65.41	2.115	53.72	1.960	49.78	2.225	56.52



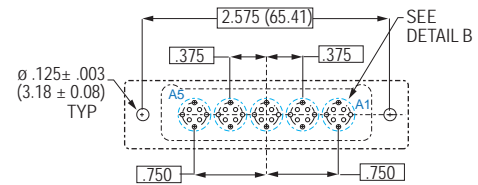
### 792-018S Quadrax PCB Plug Connectors Epoxy-Sealed Straight PC Tail Quadrax Contacts

#### 792-018S Printed Circuit Board Layouts

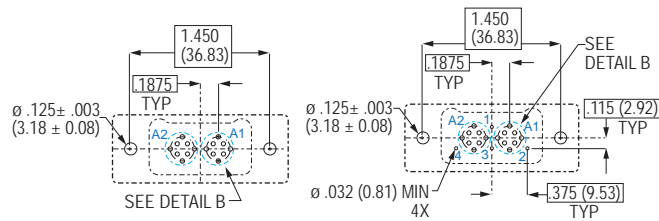


**A-1P1, A-1G1**

**A-3P1**

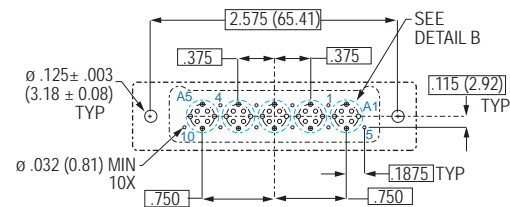


**E-5P5, E-5G5**

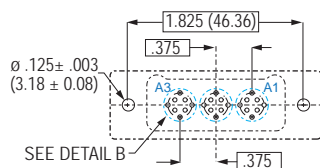


**B-2P2, B-2G2**

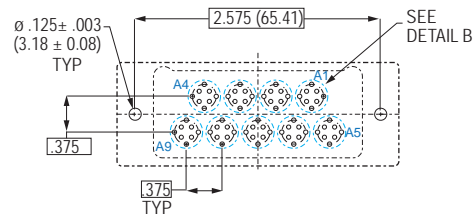
**B-6P2**



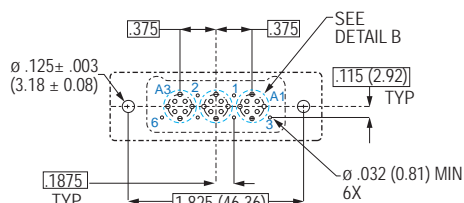
**E-15P5**



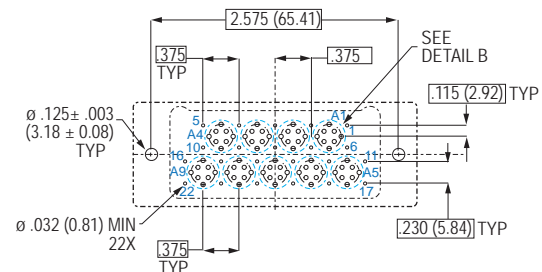
**C-3P3, C-3G3**



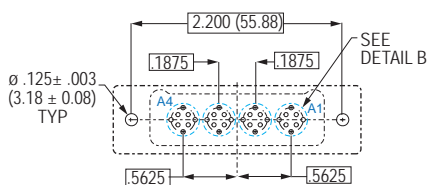
**F-9P9, F-9G9**



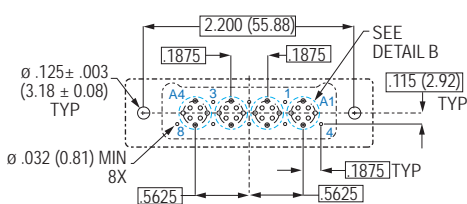
**C-9P3**



**F-31P9**



**D-4P4, D-4G4**



**D-12P4**

