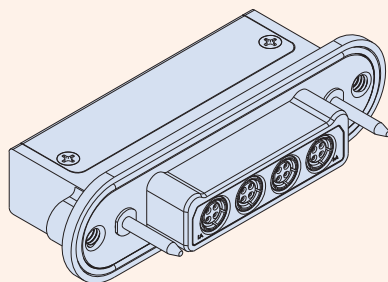


### 792-024S Quadrax Right Angle PCB Plugs, Panel Mount Epoxy-Sealed 90° PC Tail Quadrax Contacts



#### Technical Data

##### Specifications

- Operating temperature: -65 to +175 °C
- Current rating, size 23 contact: 5A
- Current rating, Quadrax contacts: 1.5A
- Voltage rating (DWV): 750 Vac
- Shock: EIA-364-27 condition D
- Vibration: EIA-364-28 condition V, letter E
- Insulation Resistance: 5000 MΩ min.
- Shell-to-shell resistance with EMI spring: 2.5 mΩ max.
- Altitude immersion: 75,000 feet

##### Construction

- Shell: aluminum alloy
- Metal insert: aluminum, nickel plated
- Insulators: high-grade rigid dielectric
- Contacts: copper alloy, 50 microinches gold over nickel plating
- Potting compound: epoxy
- O-ring: code F fluorosilicone, code C silver plated aluminum-filled fluorosilicone, code S gold plated copper alloy
- Hardware: 300 series SST, passivated

**Right angle PCB Quadrax contacts. Panel mount.** Series 792 PCB mount Quadrax connectors are intended for high reliability aerospace applications using 100BASE-T or ARINC 664 protocols. 792-024S connectors feature quadrax contacts with right angle printed circuit board tails, machined aluminum shells and environmental protection. Contacts are epoxy-sealed and are non-removeable. Scoop-proof interface for problem-free service.

#### How To Order

	Sample P/N → <b>792-024S</b>	<b>C-3P3</b>	<b>M</b>	<b>G</b>	<b>F</b>
<b>Product</b>	<b>792-024S</b> = Panel Plug, 90° PC Tail Quadrax Socket Contacts				
<b>Insert Arrangement</b>	See Table 2				
<b>Shell Finish</b>	<b>M</b> = Electroless Nickel <b>MT</b> = Nickel-PTFE <b>ZR</b> = Black Zinc-Nickel				
<b>Mating Hardware (Table 1)</b>	<b>N</b> = No hardware <b>P</b> = Jackpost <b>G</b> = Male guide pin				
<b>O-ring</b>	<b>N</b> = No O-ring <b>F</b> = Fluorosilicone O-ring (non-conductive) <b>C</b> = Conductive fluorosilicone O-ring <b>S</b> = Metal EMI panel spring (non-environmental)				

#### Table 1 Mating Hardware

 <b>N</b> <b>No Hardware</b> Blind tapped holes 8-32 UNC-2B .150 (3.81) Min.	 <b>P</b> <b>Jackposts</b> Non-removable 8-32 UNC-2B thread	 <b>G</b> <b>Guide Pins</b> Non-removable
--	---	--

#### Table 2 Insert Arrangements

Cavity identification numbers shown are for mating face of plug connectors with socket contacts.

\* Insert arrangements with "G" designator are grounded type with metal insert. Insert arrangements with "P" designator have thermoplastic dielectric.



1 Quadrax  
**A-1P1**  
**A-1G1\***



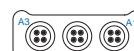
1 Quadrax, 2 #23  
**A-3P1**



2 Quadrax  
**B-2P2**  
**B-2G2\***



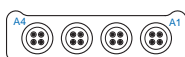
2 Quadrax, 4 #23  
**B-6P2**



3 Quadrax  
**C-3P3**  
**C-3G3\***



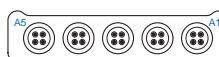
3 Quadrax, 6 #23  
**C-9P3**



4 Quadrax  
**D-4P4**  
**D-4G4\***



4 Quadrax, 8 #23  
**D-12P4**



5 Quadrax  
**E-5P5**  
**E-5G5\***



5 Quadrax, 10 #23  
**E-15P5**

# SERIES 792

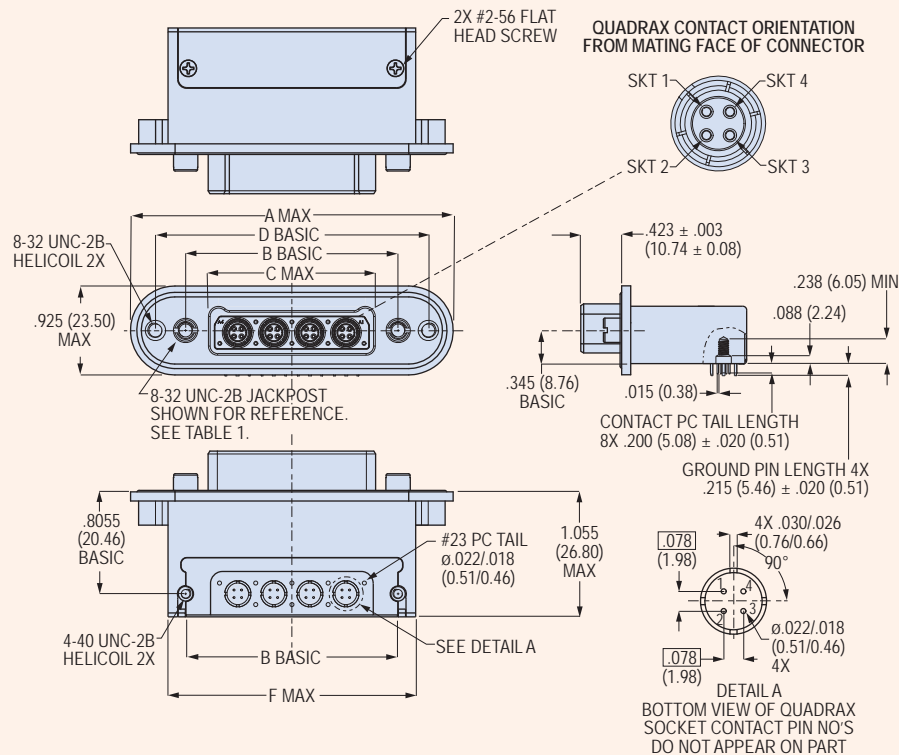
## High-Speed Ultraminiature Rectangular Connectors



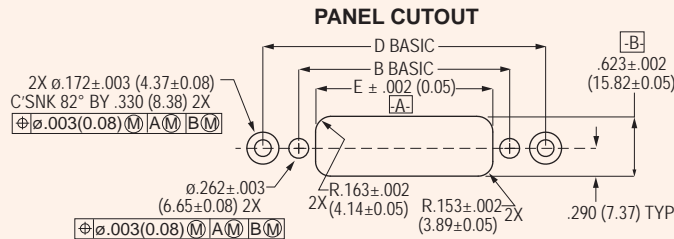
### 792-024S Quadrax Right Angle PCB Plugs, Panel Mount Epoxy-Sealed 90° PC Tail Quadrax Contacts

#### 792-024S Dimensions

Shell Size	A Max		B Basic		C Max		D Basic		E ±.002 (0.05)		F Max	
	In.	mm.	In.	mm.	In.	mm.	In.	mm.	In.	mm.	In.	mm.
<b>A</b>	2.220	56.39	1.075	27.31	.615	15.62	1.699	43.15	.725	18.42	1.455	36.96
<b>B</b>	2.595	65.91	1.450	36.83	.990	25.15	2.074	52.68	1.100	27.94	1.830	46.82
<b>C</b>	2.970	75.44	1.825	46.36	1.365	34.67	2.449	62.20	1.475	37.47	2.205	56.01
<b>D</b>	3.345	84.96	2.200	55.88	1.740	44.20	2.824	71.73	1.850	46.99	2.580	65.53
<b>E</b>	3.720	94.49	2.575	65.41	2.115	53.72	3.199	81.25	2.225	56.52	2.955	75.06



#### 792-024S Panel Cutout



### 792-024S Quadrax Right Angle PCB Plugs, Panel Mount Epoxy-Sealed 90° PC Tail Quadrax Contacts

#### 792-024S Printed Circuit Board Layouts

