

Protective Covers for Series 792 Connectors

799-162 and 799-163 Metal Protective Covers



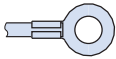
Machined Aluminum. IP68 Ingress Protection. Conductive Gasket.

Protect Series 792 connectors with aluminum covers. Conductive fluorosilicone rubber gasket prevents moisture intrusion.

Construction

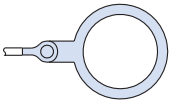
- Shell: aluminum alloy
- Hardware: stainless steel, passivated
- Lanyard: see table
- Gasket: conductive fluorosilicone

Table 2 Attachment Ring




Small Ring

Ring Code	Inside Diameter	
	In.	mm.
01	.126	3.20
02	.145	3.68
04	.188	4.78
06	.197	5.00



Solid Ring

Ring Code	Inside Diameter	
	In.	mm.
14	.385	9.78
15	.445	11.30
16	.570	14.48
17	.635	16.13
18	.695	17.65
19	.885	22.48
20	1.070	27.18







Split Ring

Ring Code	Inside Diameter	
	In.	mm.
50	.425	10.80
52	.485	12.32
54	.640	16.26
56	.750	19.05
58	.890	22.61
60	1.010	25.65
64	1.125	28.58
68	1.345	34.16

How To Order

	Sample P/N → 799-162	M	C	L	G	6	-04
Product	799-162 = Plug cover 799-163 = Receptacle cover						
Shell Finish	M = Electroless Nickel MT = Nickel-PTFE ZR = Black Zinc-Nicke						
Shell Size	A B C D E F						
Hardware Option	L = Jackscrews, hex head P = Female jackposts N = No locking hardware						
Attachment Type (Table 1)	N = No attachment G = Nylon rope SK = Nylon rope with slip knot U = SST rope with polyurethane coating H = SST rope with FEP jacket						
Attachment Length	Omit for attachment type N. Attachment length in inches.						
Attachment Ring (Table 2)	Omit for attachment types N and SK. See Table 2 for ring styles and sizes						

Table 1 Attachment Type

 <p>Nylon Rope (G) -55° to +100°C, black, very flexible, very good abrasion resistance, good resistance to fuels, .120" (3mm) diameter</p>	 <p>Teflon® Jacketed Wire Rope (H) Translucent FEP jacket over stainless steel, -55° to +200°C, fair flexibility, good abrasion resistance, .100" diameter</p>
 <p>Polyurethane Coated Wire Rope (U) Black polyurethane over stainless steel rope, -55° to +125°C, very flexible, excellent abrasion resistance, excellent resistance to fuels, .080" (2mm) diameter</p>	 <p>Slip Knot (SK) 55° to +100°C, black, very flexible, very good abrasion resistance, good resistance to fuels, .120" (3mm) diameter. Length includes .5" (13mm) diameter loop.</p>

SERIES 792

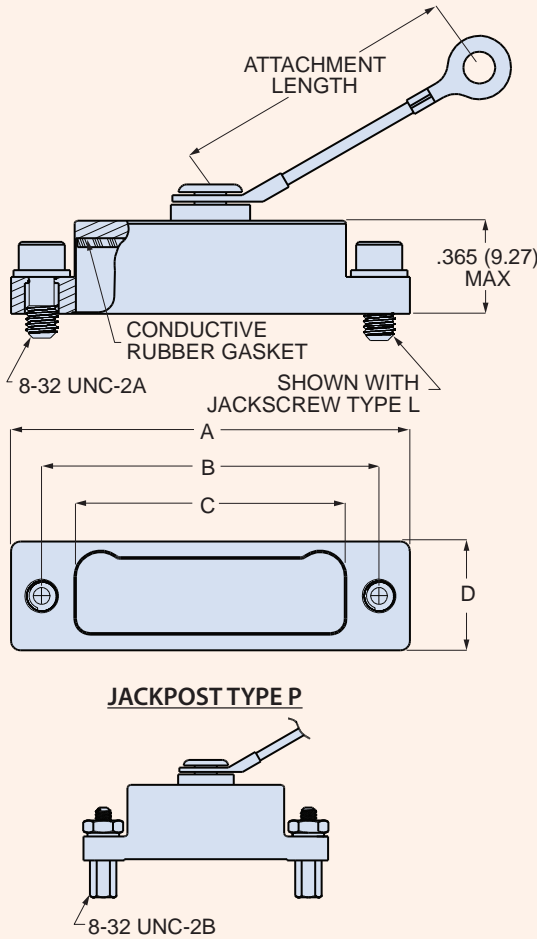
High-Speed Ultraminiature Rectangular Connectors



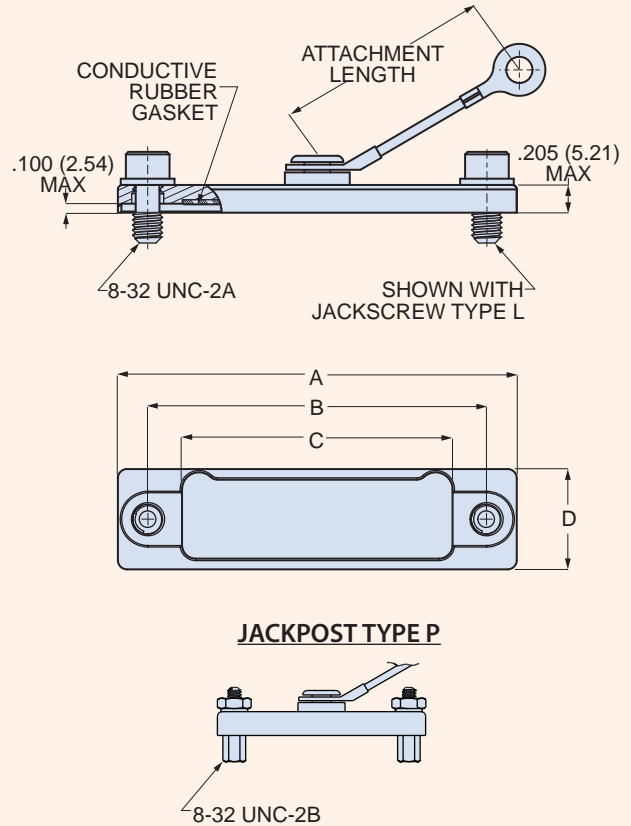
Protective Covers for Series 792 Connectors

799-162 and 799-163 Metal Protective Covers

799-162 Plug Cover



799-163 Receptacle Cover



Dimensions

Shell Size	A Max		B Basic		C Max		D Max	
	In.	mm.	In.	mm.	In.	mm.	In.	mm.
A	1.405	35.69	1.075	27.31	.655	16.64	.635	16.13
B	1.780	45.21	1.450	36.83	1.030	26.16	.635	16.13
C	2.155	54.74	1.825	46.36	1.405	35.69	.635	16.13
D	2.530	64.26	2.200	55.88	1.780	45.21	.635	16.13
E	2.905	73.88	2.575	65.41	2.155	54.74	.635	16.13
F	2.905	73.88	2.575	65.41	2.155	54.74	1.000	25.40

Dimensions

Shell Size	A Max		B Basic		C Max		D Max	
	In.	mm.	In.	mm.	In.	mm.	In.	mm.
A	1.405	35.69	1.075	27.31	.730	18.54	.745	18.92
B	1.780	45.21	1.450	36.83	1.105	28.07	.745	18.92
C	2.155	54.74	1.825	46.36	1.480	37.59	.745	18.92
D	2.530	64.26	2.200	55.88	1.855	47.12	.745	18.92
E	2.905	73.88	2.575	65.41	2.230	56.64	.745	18.92
F	2.905	73.88	2.575	65.41	2.230	56.64	1.045	26.54