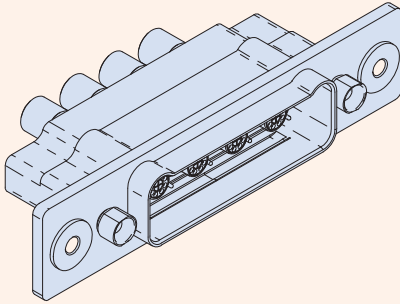


SERIES 792

High-Speed Ultraminiature Rectangular Connectors



792-014P Float Mount Receptacle Connectors Snap-in, Rear Release Contacts



RELIABLE DESIGN

- 100% scoop-proof
- Snap-in, rear release contacts
- EMI shell-to-shell continuity

High-speed

- Quadrax or El Ochito® contacts (purchased separately)

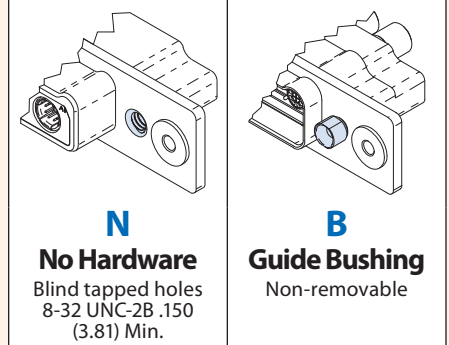
Specifications

- Operating temperature: -65° to +150°C
- Current rating, size 23 contact: 5A
- Voltage rating (DWV): 750 Vac, size 23 1800 Vac size 8 body to connector shell
- Wire size, #23 contact: AWG 22-28
- Shock: EIA-364-27 condition D
- Vibration: EIA-364-28 condition V, letter E
- Insulation Resistance: 5000 MΩ min.
- Shell-to-shell resistance with EMI spring: 2.5 mΩ max.
- Altitude immersion: 75,000 feet

Construction

- Shell: aluminum alloy
- Metal insert: aluminum, nickel plated
- Insulators: high-grade rigid dielectric
- Contacts: copper alloy, 50 microinches gold over nickel plating
- Wire grommet: fluorosilicone blend
- Interfacial Seal: fluorosilicone blend
- Contact retention clip, insert retention clip: copper alloy
- EMI spring: copper alloy, nickel plated
- Hardware: 300 series stainless steel, passivated

Table 1 Mating Hardware



Size 8 quadrax or El Ochito® octaxial contacts. Rugged construction. Ultraminiature. Series 792 connectors are intended for 10Gb Ethernet, USB 3,0 and other multi-gigabit protocols. 792-014P cable connectors feature stainless steel floating alignment bushings for blind mating applications. Machined aluminum shells with polarizing lobes. Scoop-proof interface for problem-free service. Snap-in size 8 contacts are purchased separately. "Combo" arrangements are supplied with unassembled size 23 crimp contacts. Military-grade materials, finishes and construction.

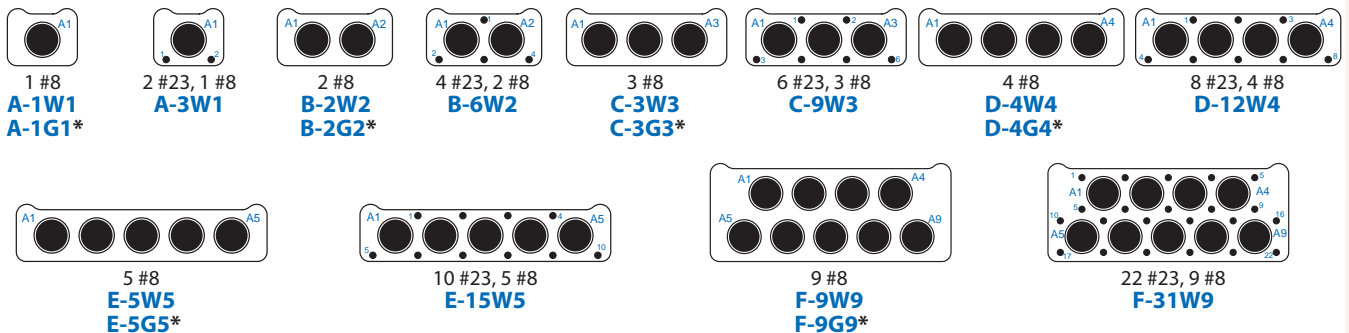
How To Order

	Sample Part Number → 792-014P	B-2G2	M	E	B
Product	792-014P = Receptacle, Float Mount, Pin Contacts				
Insert Arrangement	See Table 2				
Shell Finish	M = Electroless Nickel MT = Nickel-PTFE ZR = Black Zinc-Nickel				
EMI Spring	N = No EMI Spring E = EMI Spring				
Mating Hardware (Table 1)	N = No Hardware B = Guide Bushings				

Table 2 Insert Arrangements

Cavity identification numbers shown are for mating face of receptacle connectors with pin contacts.

* Insert arrangements with "G" designator are grounded type with metal insert. Insert arrangements with "W" designator have thermoplastic dielectric.



SERIES 792

High-Speed Ultraminiature Rectangular Connectors

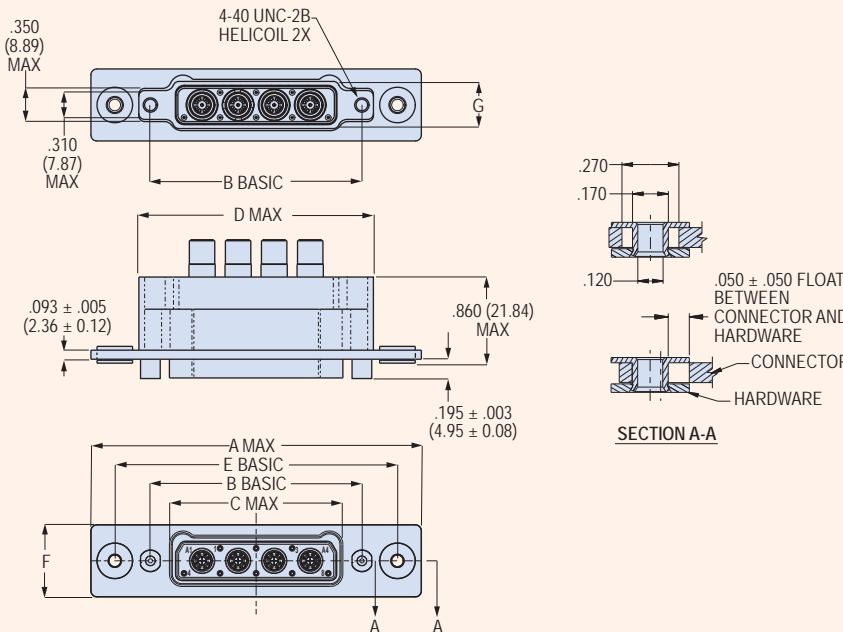


792-014P Float Mount Receptacle Connectors

Snap-in, Rear Release Contacts

792-014P Dimensions

Shell Size	A Max		B Basic		C Max		D Max		E Basic		F Max		G Max	
	In.	mm.	In.	mm.	In.	mm.	In.	mm.	In.	mm.	In.	mm.	In.	mm.
A	2.317	58.85	1.075	27.31	.690	17.53	1.320	33.53	1.815	46.10	.754	19.15	.475	12.07
B	2.692	68.38	1.450	36.83	1.065	27.05	1.695	43.06	2.190	55.63	.754	19.15	.475	12.07
C	3.067	77.90	1.825	46.36	1.440	36.58	2.070	52.58	2.565	65.15	.754	19.15	.475	12.07
D	3.442	87.43	2.200	55.88	1.815	46.10	2.445	62.10	2.940	74.68	.754	19.15	.475	12.07
E	3.817	96.95	2.575	65.41	2.190	55.62	2.820	71.63	3.315	84.20	.754	19.15	.475	12.07
F	3.817	96.95	2.575	65.41	2.190	55.63	2.820	71.63	3.315	84.20	1.129	28.68	.850	21.59



Size 8 Datalink Pin Contacts (not supplied with Connector)



Polarizing Key Location and Contact Identification



Series 792 connectors have a polarizing keyway in size 8 contact cavities. This keyway orients and aligns twinax, quadrax and El Ochito® contacts. The connector keyway is rotated 45° from top dead center. This illustration shows the location of the polarizing key and the contact numbers when looking at the mating face of the plug (socket) connector.

Size 23 Pin Contacts

Contact	Crimper	Positioner
850-163	809-015 (M22520/2-01)	809-005

Insertion/Removal Tools

Insertion/Removal Tool for Size 23 Contact	Removal Tool for Size 8 Contacts
809-088	859-049 (M81969/14-12)

SERIES 792

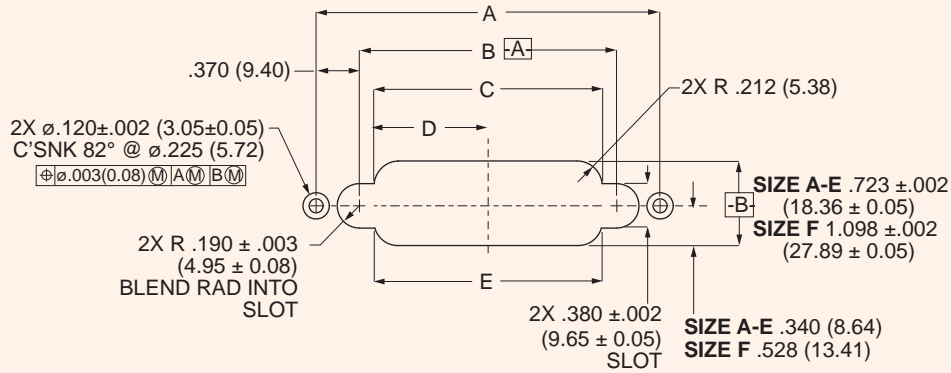
High-Speed Ultraminiature Rectangular Connectors



792-014P Float Mount Receptacle Connectors

Snap-in, Rear Release Contacts

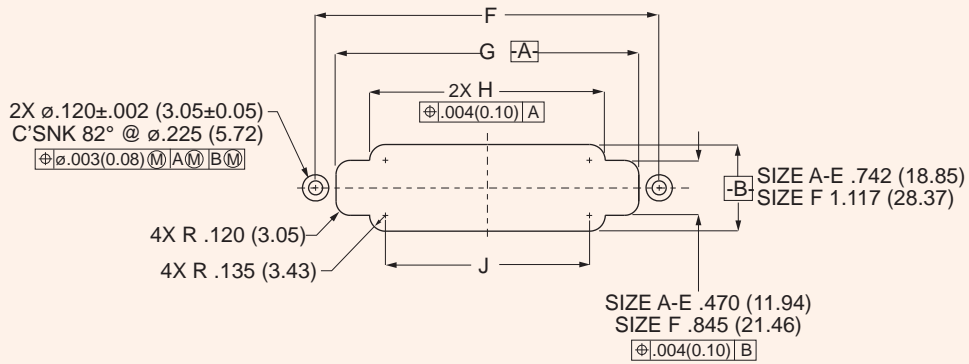
Panel Cutouts for 792-013 and 792-014 REAR Panel Float Mount Connectors



CUTOUT FOR REAR PANEL MOUNTED CONNECTOR

Shell Size	A Basic		B		C		D		E	
	In.	mm.	In.	mm.	In.	mm.	In.	mm.	In.	mm.
A	1.815	46.10	1.075	27.31	.823	20.90	.412	10.46	.810	20.57
B	2.190	55.63	1.450	36.83	1.198	30.43	.592	15.04	1.185	30.10
C	2.565	65.15	1.825	46.36	1.573	39.95	.787	19.99	1.560	39.62
D	2.940	74.68	2.200	55.88	1.948	49.48	.974	24.74	1.935	49.15
E	3.315	84.20	2.575	65.41	2.323	59.00	1.162	29.51	2.310	58.67
F	3.315	84.20	2.575	65.41	2.323	59.00	1.162	29.51	2.323	59.00

Panel Cutouts for 792-013 and 792-014 FRONT Panel Float Mount Connectors



CUTOUT FOR FRONT PANEL MOUNTED CONNECTOR

Shell Size	F Basic		G		H		J	
	In.	mm.	In.	mm.	In.	mm.	In.	mm.
A	1.815	46.10	1.465	37.21	.891	22.63	.621	15.77
B	2.190	55.63	1.840	46.74	1.266	32.16	.996	25.30
C	2.565	65.15	2.215	56.26	1.641	41.68	1.371	34.82
D	2.940	74.68	2.590	65.77	2.016	51.21	1.746	44.35
E	3.315	84.20	2.965	75.31	2.391	60.73	2.121	53.87
F	3.315	84.20	2.965	75.31	2.391	60.73	2.121	53.87