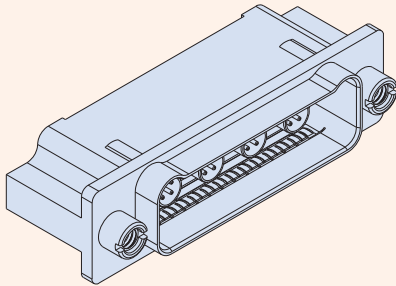


SERIES 792

High-Speed Ultraminiature Rectangular Connectors



792-019P Quadrax PCB Receptacle Connectors Epoxy-Sealed Straight PC Tail Quadrax Contacts



Technical Data

Specifications

- Operating temperature: -65 to +125 °C
- Current rating, size 23 contact: 5A
- Current rating, Ochito contacts: 1.5A
- Voltage rating (DWV): 500 Vac
- Shock: EIA-364-27 condition D
- Vibration: EIA-364-28 condition V, letter E
- Insulation Resistance: 5000 MΩ min.
- Shell-to-shell resistance with EMI spring: 2.5 mΩ max.
- Altitude immersion: 75,000 feet

Construction

- Shell: aluminum alloy
- Metal insert: aluminum, nickel plated
- Insulators: high-grade rigid dielectric
- Interfacial seal: fluorosilicone blend
- Size 23 contacts: copper alloy, 50 microinches gold over nickel plating
- Quadrax contacts: Copper alloy, 50 microinches gold over nickel plating. Insulators: high-grade rigid thermoplastic
- EMI spring: copper alloy, nickel plated
- Hardware: 300 series SST, passivated
- Potting compound: epoxy

Board mount Quadrax contacts. EMI protection. Series 792 PCB mount Quadrax connectors are intended for 100BASE-T and ARINC 664 protocols. 792-019P connectors feature quadrax contacts with straight printed circuit board tails, machined aluminum shells and environmental protection. Scoop-proof interface for problem-free service. Military-grade performance and construction.

How To Order

	Sample Part Number → 792-019P	D-4P4	MT	E	R1
Product	792-019P = PCB Receptacle, Pin Quadrax Contacts				
Insert Arrangement	See Table 2				
Shell Finish	M = Electroless Nickel MT = Nickel-PTFE ZR = Black Zinc-Nickel				
EMI Spring	E = EMI spring N = No EMI spring				
Mating Hardware (Table 1)	N = No jackposts P = Jackposts R1 = Rear panel jackposts, .032 (0.81) panel R2 = Rear panel jackposts, .050 (1.27) panel R3 = Rear panel jackposts, .062 (1.59) panel R4 = Rear panel jackposts, .080 (2.03) panel R5 = Rear panel jackposts, .093 (2.36) panel R6 = Rear panel jackposts, .125 (3.18) panel				

Table 1 Mating Hardware

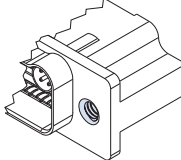
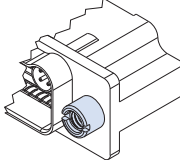
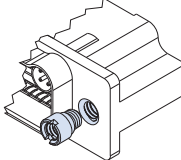












 N No Hardware Blind tapped holes	 P Jackposts 8-32 UNC-2B thread	 R1 – R6 Rear Panel Jackposts 8-32 UNC-2B thread.
---	--	---

Table 2 Insert Arrangements

Cavity identification numbers shown are for mating face of receptacle connectors with pin contacts.

* Insert arrangements with "G" designator are grounded type with metal insert. Insert arrangements with "P" designator have thermoplastic dielectric.

 1 Quadrax A-1P1 A-1G1*	 1 Quadrax, 2 #23 A-3P1	 2 Quadrax B-2P2 B-2G2*	 2 Quadrax, 4 #23 B-6P2	 3 Quadrax C-3P3 C-3G3*	 3 Quadrax, 6 #23 C-9P3
 4 Quadrax D-4P4 D-4G4*	 4 Quadrax, 8 #23 D-12P4	 5 Quadrax E-5P5 E-5G5*	 5 Quadrax, 10 #23 E-15P5	 9 Quadrax F-9P9 F-9G9*	 9 Quadrax, 22 #23, F-31P9

SERIES 792

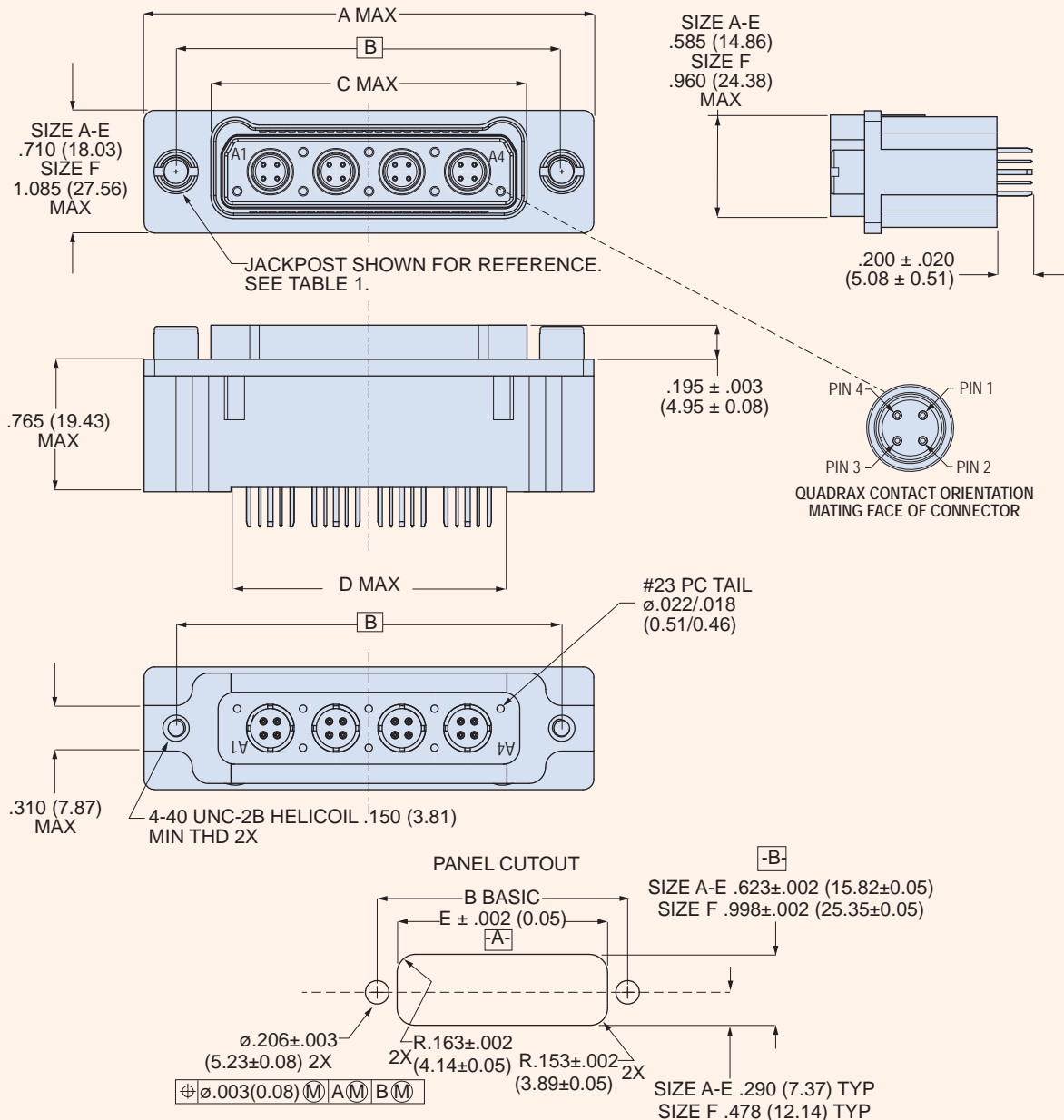
High-Speed Ultraminiature Rectangular Connectors



792-019P Quadrax PCB Receptacle Connectors Epoxy-Sealed Straight PC Tail Quadrax Contacts

792-019P Dimensions

Shell Size	A Max		B Basic		C Max		D Max		E ±.002 (0.05)	
	In.	mm.	In.	mm.	In.	mm.	In.	mm.	In.	mm.
A	1.455	36.96	1.075	27.31	.690	17.53	.460	11.68	.725	18.42
B	1.830	46.48	1.450	36.83	1.065	27.05	.835	21.21	1.100	27.94
C	2.205	56.01	1.825	46.36	1.440	36.58	1.210	30.73	1.475	37.47
D	2.580	65.53	2.200	55.88	1.815	46.10	1.585	40.26	1.850	46.99
E	2.955	75.06	2.575	65.41	2.190	55.62	1.960	49.78	2.225	56.52
F	2.955	75.06	2.575	65.41	2.190	55.62	1.960	49.78	2.225	56.52



SERIES 792

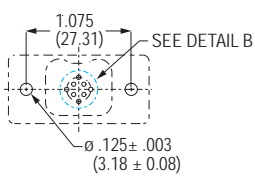
High-Speed Ultraminiature Rectangular Connectors



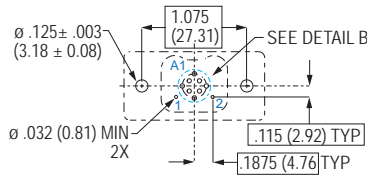
792-019P Quadrax PCB Receptacle Connectors

Epoxy-Sealed Straight PC Tail Quadrax Contacts

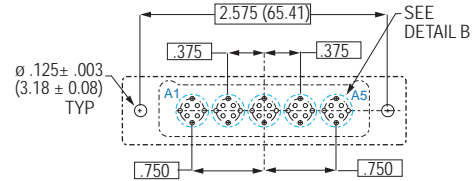
792-019P Printed Circuit Board Layouts



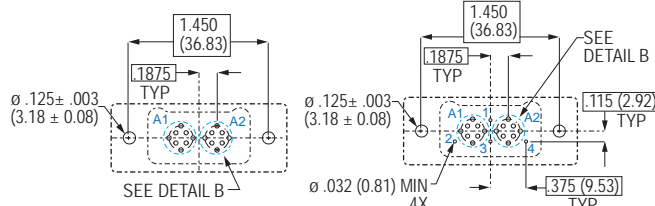
A-1P1, A-1G1



A-3P1

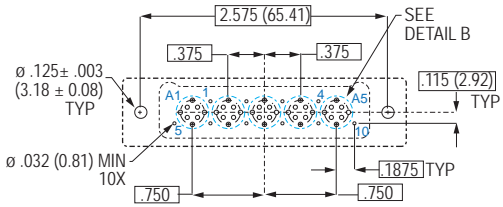


E-5P5, E-5G5

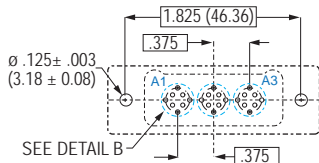


B-2P2, B-2G2

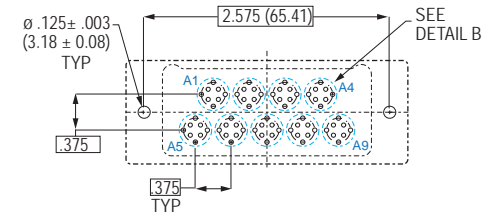
B-6P2



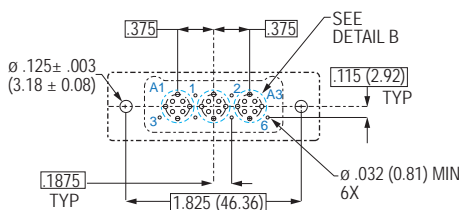
E-15P5



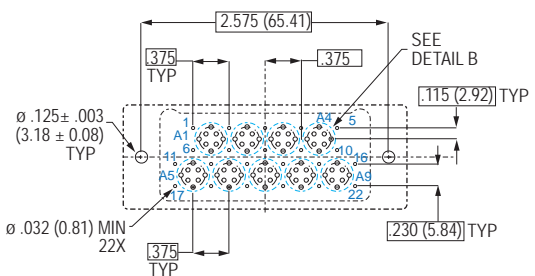
C-3P3, C-3G3



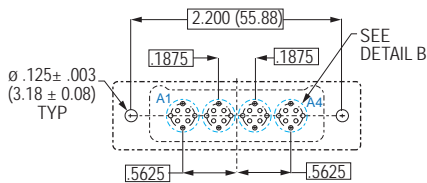
F-9P9, F-9G9



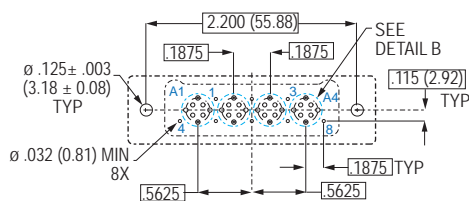
C-9P3



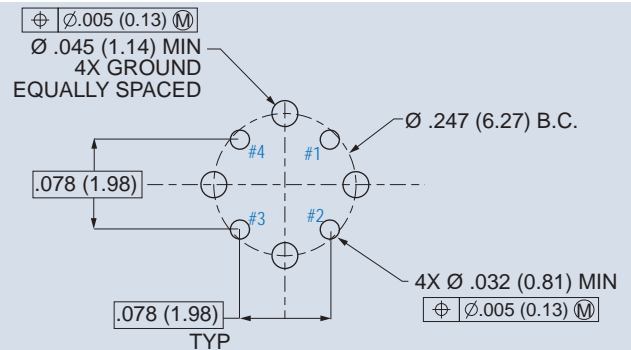
F-31P9



D-4P4, D-4G4



D-12P4



DETAIL B
QUADRAX PIN CONTACT
COMPONENT SIDE OF BOARD