

# SERIES 792

## High-Speed Ultraminiature Rectangular Connectors



### Anti-Static Dust Caps for Series 792 Connectors

799-160 and 799-161

#### Permanently anti-static. Non-sloughing. ESD Protection.

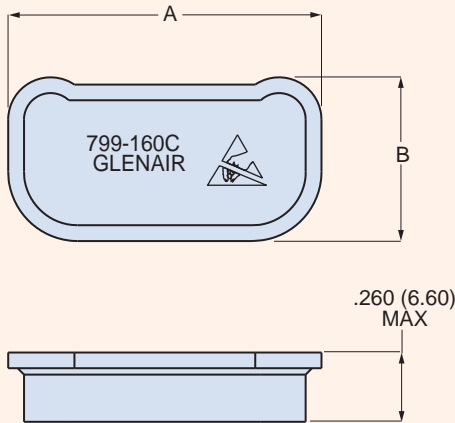
Black plastic dust caps fit Series 792 connectors. Molded from permanently anti-static LDPE, these caps protect connectors from contamination and static discharge. Friction fit.



#### Technical Data

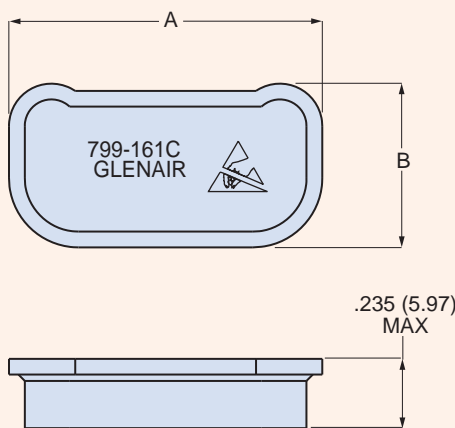
Specifications	Construction
<ul style="list-style-type: none"> <li>Volume resistivity: 1E9 - 9.9E10 ohm.cm (ASTM D 256)</li> <li>Surface resistivity: 1E10 - 9.9E11 ohm/sq (ASTM D 257)</li> <li>Static decay: &lt;2.0 seconds (MIL-PRF-81705, 5kV to 50 V, 12% RH)</li> </ul>	<ul style="list-style-type: none"> <li>Material: low density polyethylene (LDPE)</li> <li>Part marking: molded-in raised lettering</li> </ul>

#### 799-160 Plug Dust Caps for Series 792 Socket Connectors



Shell Size	Dust Cap Part Number	A Max		B Max	
		In.	mm.	In.	mm.
A	<a href="#">799-160A</a>	.825	20.96	.701	17.81
B	<a href="#">799-160B</a>	1.200	30.48	.701	17.81
C	<a href="#">799-160C</a>	1.575	40.01	.701	17.81
D	<a href="#">799-160D</a>	1.950	49.53	.701	17.81
E	<a href="#">799-160E</a>	2.325	59.06	.701	17.81
F	<a href="#">799-160F</a>	2.325	59.06	1.073	27.25

#### 799-161 Receptacle Dust Caps for Series 792 Pin Connectors



Shell Size	Dust Cap Part Number	A Max		B Max	
		In.	mm.	In.	mm.
A	<a href="#">799-161A</a>	.900	22.86	.771	19.58
B	<a href="#">799-161B</a>	1.275	32.39	.771	19.58
C	<a href="#">799-161C</a>	1.650	41.91	.771	19.58
D	<a href="#">799-161D</a>	2.025	51.44	.771	19.58
E	<a href="#">799-161E</a>	2.400	60.96	.771	19.58
F	<a href="#">799-161F</a>	2.400	60.96	1.173	29.79