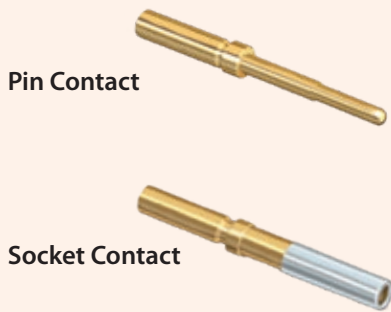


Size 23 Crimp Contacts for Series 792 Connectors



Size 23 contacts fit 22-28 AWG wire. Compatible with Glenair Series 792 connectors only. Copper alloy with 50 microinches gold over nickel plating. These machined contacts conform to AS39029 performance requirements. Bulk packaged. Split-tine socket contact has stainless steel hood.

Ordering Information

Contact Type	AWG Wire Size	Part Number
Pin, Size 23, Ser. 792	22-28	850-163
Socket, Size 23, Ser. 792	22-28	850-164

Technical Data

Specifications

- Operating temperature: -65° to +150°C
- Current rating: 5A
- Crimp Tensile Strength

Wire Size	Axial Load (lbs.)
22	12
24	8
26	5
28	3

- Voltage Drop: 73 millivolts maximum, 5A, 25° C, 22 AWG wire

Construction

- Contact body: copper alloy
- Socket hood: stainless steel, passivated
- Contact finish: 50 microinches minimum gold plating over nickel underplate

Crimp Tools

Mil Spec Hand Tool



809-015
(M22520/2-01)

Positioner for Hand Tool



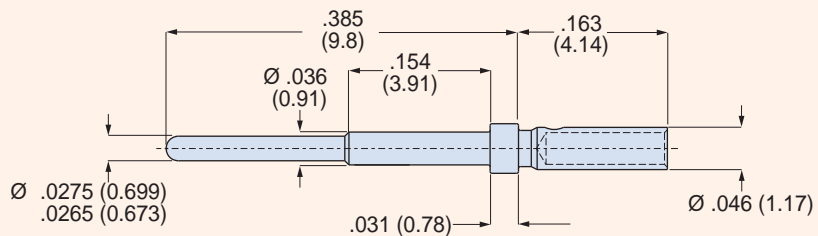
809-005
(DMC #K1461)

Insertion/Removal Tool

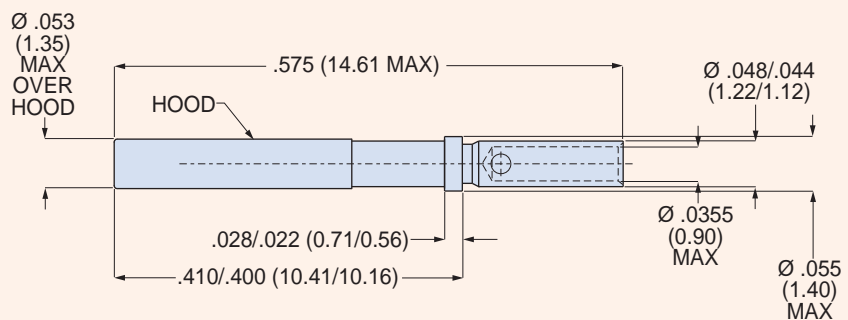


809-088

850-163 Pin Contact Dimensions



850-164 Socket Contact Dimensions



Recommended Wire Strip Length

