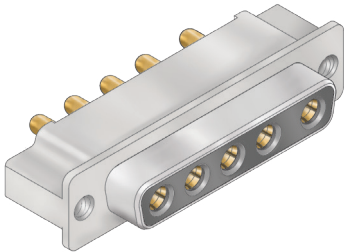


## 280-055S straight PC tail socket connectors with low profile mounting flange



The HiPer-D® is a high performance version of the M24308-type D-Subminiature connector. HiPer-D® connectors feature improved EMI performance and environmental sealing and “closed entry” contact cavity for improved contact protection. Factory-installed PC tail contacts, integral board standoffs and threaded holes for attaching to circuit board. Gold-plated copper alloy contacts, one-piece machined aluminum shell, glass-reinforced thermoset epoxy insulator, epoxy potting compound. 1000 VAC, 7.5 Amps (#20), up to 40 Amps with size #8 power contacts.

How To Order					
<b>Sample Part Number</b>	<b>280-055S</b>	<b>1-2P2</b>	<b>ME</b>	<b>P</b>	<b>A</b>
<b>Basic Part Number</b>	<b>280-055S</b>				
<b>Shell Size-Contact Arrangement</b>	See Shell Size - Contact Arrangements Table				
<b>Shell Finish</b>	<b>ME</b> = Electroless Nickel <b>JF</b> = Cadmium with Yellow Chromate <b>Z1</b> = Passivated Stainless Steel	<b>MT</b> = Nickel-PTFE <b>Z2</b> = Gold			
<b>Mating Hardware</b>	<b>N</b> = No Hardware		<b>P</b> = #4-40 Female Jackpost		
<b>PC Tail Length</b>	<b>A</b> = .125 (3.18) Tail Length		<b>B</b> = .250 (6.35) Tail Length		

Contact Arrangements		
Shell Size-Contact Arr.	Contact Size and Qty	
	#20	#8
<b>1-2P2</b>		2
<b>1-5P1</b>	4	1
<b>2-3P3</b>		3
<b>2-7P2</b>	5	2
<b>2-11P1</b>	10	1
<b>3-5P5</b>		5
<b>3-9P4</b>	5	4
<b>3-13P3</b>	10	3
<b>3-17P2</b>	15	2
<b>3-21P1</b>	20	1
<b>4-8P8</b>		8
<b>4-13P6</b>	7	6
<b>4-17P5</b>	12	5
<b>4-21PA4</b>	17	4
<b>4-25P3</b>	22	3
<b>4-27P2</b>	25	2
<b>5-24P7</b>	17	7
<b>5-36P4</b>	32	4
<b>5-43P2</b>	41	2
<b>5-47P1</b>	46	1

Mating Hardware
<b>N</b> No Hardware #4-40 Female Threads in Mounting Holes
Choose this option for rear panel mounting and order jackpost kit 289-016 separately.
<b>P</b> #4-40 Female Jackposts

Specifications	
Current Rating	#20 7.5 AMPS, #8 40 AMPS
Test Voltage	1000 VAC RMS
Insulation Resistance	5000 megohms minimum
Operating Temperature	-65° C. to +200° C.
Ingress Protection	IP 67
Shock	300 g.
Vibration, Random	43.92 g.

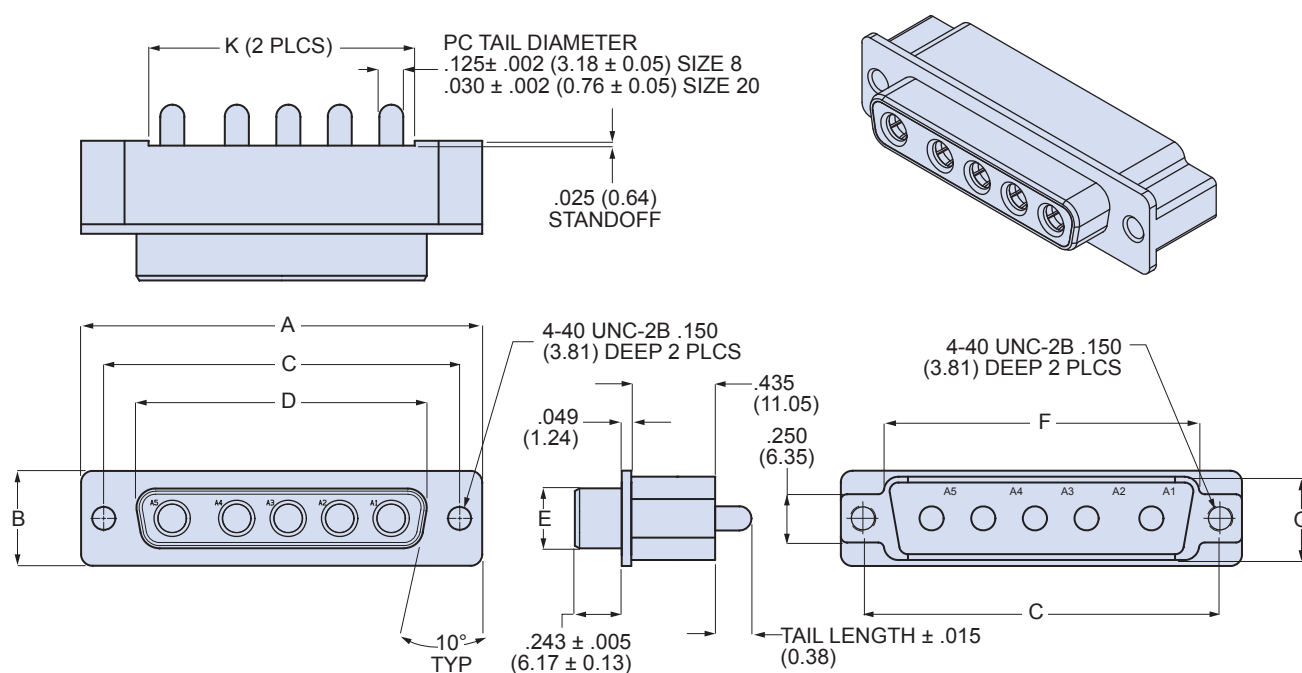
Materials and Finishes	
Shell	Aluminum alloy
Contacts	Copper alloy, 50 microinches gold
Insulator	Thermoset epoxy
Potting Compound	Epoxy
Hardware	300 series stainless steel

# SERIES 28 HiPer-D® Combo Connectors



## 280-055S straight PC tail socket connectors with low profile mounting flange

### 280-055S DIMENSIONS



Shell Size	Dimensions															
	A		B		C Basic		D		E		F Max		G Max		H Max	
	in $\pm .015$	mm $\pm 0.38$	in $\pm .015$	mm $\pm 0.38$	in.	mm	in $\pm .005$	mm $\pm 0.13$	in $\pm .005$	mm $\pm 0.13$	in.	mm	in.	mm	in.	mm
1	1.213	30.81	.494	12.55	.984	24.99	.643	16.33	.311	7.90	.769	19.53	.432	10.97	.520	13.21
2	1.541	39.14	.494	12.55	1.312	33.32	.971	24.66	.311	7.90	1.093	27.76	.432	10.97	.844	21.44
3	2.088	53.04	.494	12.55	1.852	47.04	1.511	38.38	.311	7.90	1.636	41.55	.432	10.97	1.386	35.20
4	2.729	69.32	.494	12.55	2.500	63.50	2.159	54.84	.311	7.90	2.282	57.96	.432	10.97	2.034	51.66
5	2.635	66.93	.605	15.37	2.406	61.11	2.054	52.17	.423	10.74	2.188	55.58	.544	13.82	1.887	47.93

### NOTES

1. Contacts are factory-installed, non-removable and are potted with epoxy.
2. HiPer-D® connectors are available with a wide variety of materials and finishes. See [About Series 28 HiPer-D® Shell Plating Options](#) for additional choices.
3. For panel cutout dimensions, refer to [Panel Cutouts and Printed Circuit Board Footprints](#).
4. For printed circuit board mounting dimensions, refer to [Panel Cutouts and Printed Circuit Board Footprints](#).
5. Combo HiPer-D® connectors meet the applicable requirements of MIL-DTL-24308 and are interchangeable with standard M24308-type D-Subminiature combo connectors with corresponding contact arrangements and type.
6. Additional electrical, mechanical and environmental specifications are listed in [HiPer-D® Product Specification](#).