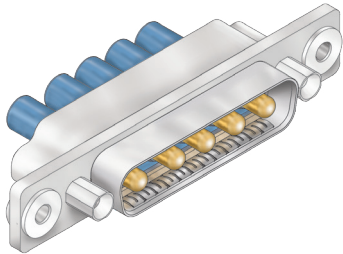


280-058P float mount combo pin connectors for blind mating, crimp termination



Combo HiPer-D® pin connectors feature size #20 signal contacts and size #8 power or coax contacts. **Size #8 contacts are ordered separately.** The HiPer-D® features a rugged machined aluminum shell, waterproof sealing and optional ground springs for improved resistance to electromagnetic interference. Size #20 contacts are packaged with connector. Terminate contacts with crimp tools purchased separately. Glass-reinforced thermoset epoxy insulators, copper alloy retention clips. Fluorosilicone face seal and rear grommet meet IP67 immersion requirement. 1000 VAC, 7.5 Amps (#20), up to 40 Amps with size #8 power contacts.

How To Order	
Sample Part Number	280-058P 4-25W3 JF G P
Basic Part Number	280-058P
Shell Size-Contact Arrangement	See Shell Size - Contact Arrangements Table
Shell Finish	ME = Electroless Nickel MT = Nickel-PTFE JF = Cadmium with Yellow Chromate Z2 = Gold Z1 = Passivated Stainless Steel
Ground Spring	G = Supplied with EMI Ground Spring N = No Ground Spring
Mating Hardware	N = No Hardware G = Male Guide Pins B = Female Guide Bushings

Contact Arrangements		
Shell Size-Contact Arr.	Contact Size and Qty	
	#20	#8
1-2W2		2
1-5W1	4	1
2-3W3		3
2-7W2	5	2
2-11W1	10	1
3-5W5		5
3-9W4	5	4
3-13W3	10	3
3-17W2	15	2
3-21W1	20	1
4-8W8		8
4-13W6	7	6
4-17W5	12	5
4-21WA4	17	4
4-25W3	22	3
4-27W2	25	2
5-24W7	17	7
5-36W4	32	4
5-43W2	41	2
5-47W1	46	1

Mating Hardware
N No Hardware #8-32 tapped hole
B Female Guide Bushings Non-removable
G Male Guide Pins Non-removable

Specifications	
Current Rating	#20 7.5 AMPS, #8 40 AMPS
Test Voltage	1000 VAC RMS
Insulation Resistance	5000 megohms minimum
Operating Temperature	-65° C. to +200° C.
Ingress Protection	IP 67
Shock	300 g.
Vibration, Random	43.92 g.

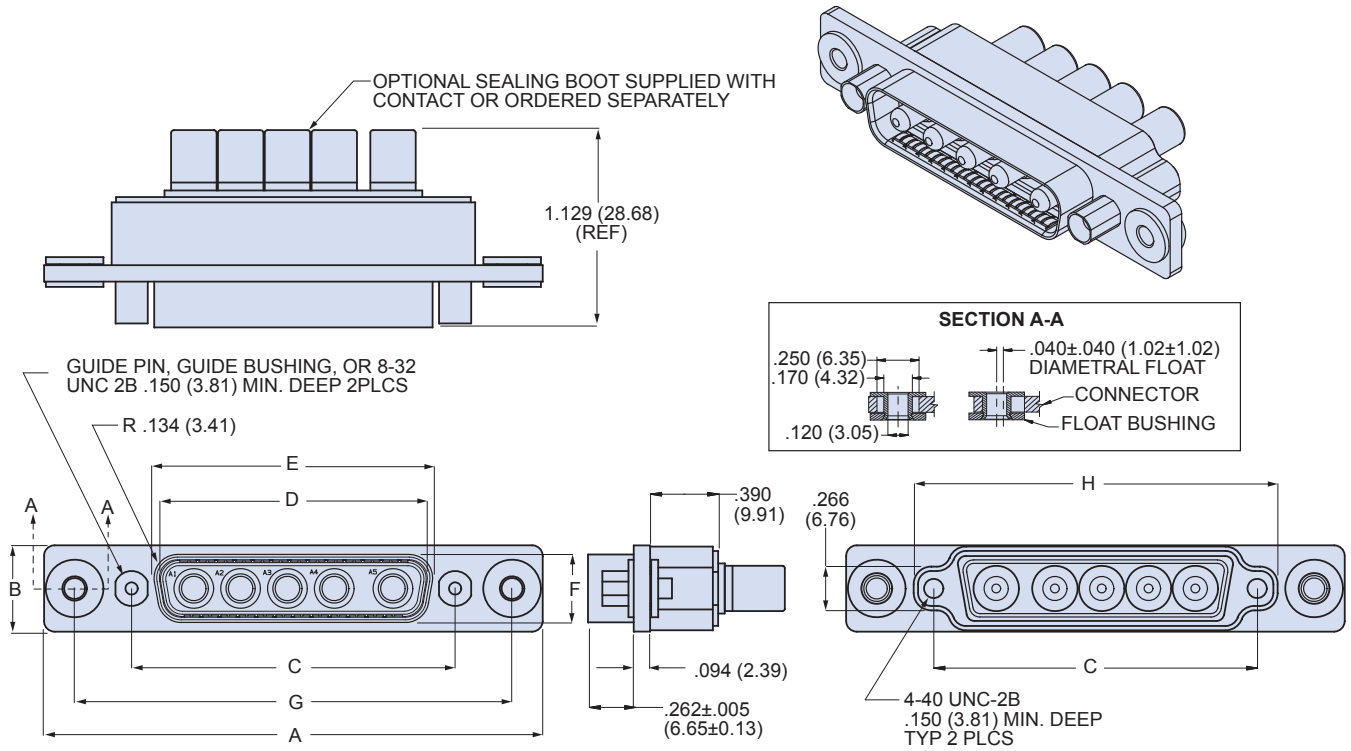
Materials and Finishes	
Shell	Aluminum alloy
Contacts	Copper alloy, 50 microinches gold
Insulators	Thermoset epoxy
EMI Spring	Copper alloy, nickel plated
Retention Clips	Copper alloy
Grommet, Seal	Fluorosilicone rubber
Hardware	300 series stainless steel

SERIES 28 HiPer-D® Combo Connectors



280-058P float mount combo pin connectors for blind mating, crimp termination

280-058P DIMENSIONS



Dimensions														
Shell Size	A		B		C Basic		E		F		G Basic		H	
	in ± .015	mm ± 0.38	in ± .015	mm ± 0.38	in.	mm	in ± .005	mm ± 0.13	in ± .005	mm ± 0.13	in	mm	in ± .005	mm ± 0.13
1	1.986	50.44	.494	12.55	.984	24.99	.726	18.44	.329	8.36	1.636	41.55	1.213	30.81
2	2.314	58.78	.494	12.55	1.312	33.32	1.054	26.77	.329	8.36	1.964	49.89	1.541	39.14
3	2.854	72.49	.494	12.55	1.852	47.04	1.594	40.49	.329	8.36	2.504	63.60	2.081	52.86
4	3.502	88.95	.494	12.55	2.500	63.50	2.242	56.95	.329	8.36	3.152	80.06	2.729	69.32
5	3.408	86.56	.600	15.24	2.406	61.11	2.139	54.33	.441	11.20	3.058	77.67	2.635	66.93

NOTES

1. See [About Series 28 HiPer-D® Shell Plating Options](#) for additional shell material and finish options. Glenair offers the industry's widest selection of plating options with no minimum order quantities or setup charges.
2. For panel cutouts, refer to [Panel Cutouts and Printed Circuit Board Footprints](#).
3. Connectors are supplied with size #20 crimp contacts per M39029. Contacts are not installed. Refer to [HiPer-D® Contacts and Tools](#) section for contact part numbers, specifications, crimp tool information, and insertion/extraction tools.
4. **Size 8 contacts are ordered separately.** Refer to [HiPer-D® Contacts and Tools](#) section for contact ordering information, specifications, crimp tool information, and insertion/extraction tools.
5. Combo HiPer-D® connectors meet the applicable requirements of MIL-DTL-24308 and are intermateable with standard non-environmental D Subminiature connectors with corresponding contact arrangements and type. **Size 8 contacts from other manufacturers cannot be installed in HiPer-D® connectors.**
6. Additional electrical, mechanical and environmental specifications are listed in [HiPer-D® Product Specification](#).