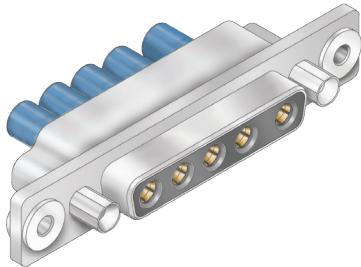


280-059S float mount combo socket connectors for blind mating, crimp termination



Combo HiPer-D® float mount connectors for blind mate applications feature size #20 signal contacts and size #8 power or coax contacts. **Size #8 contacts are ordered separately.** The HiPer-D® features a rugged machined aluminum shell and wire grommet for environmental protection. Size #20 contacts are packaged with connector. Terminate contacts with crimp tools purchased separately. Glass-reinforced thermoset epoxy insulators, copper alloy retention clips. Fluorosilicone rear grommet meets IP67 immersion requirement. 1000 VAC, 7.5 Amps (#20), up to 40 Amps with size #8 power contacts.

How To Order

Sample Part Number	280-059S	5-24W7	ME	G
Basic Part Number	280-059S			
Shell Size-Contact Arrangement	See Shell Size - Contact Arrangements Table			
Shell Finish	ME = Electroless Nickel MT = Nickel-PTFE JF = Cadmium with Yellow Chromate Z2 = Gold Z1 = Passivated Stainless Steel			
Mating Hardware	N = No Hardware G = Male Guide Pins B = Female Guide Bushings			

Contact Arrangements

Shell Size-Contact Arr.	Contact Size and Qty	
	#20	#8
1-2W2		2
1-5W1	4	1
2-3W3		3
2-7W2	5	2
2-11W1	10	1
3-5W5		5
3-9W4	5	4
3-13W3	10	3
3-17W2	15	2
3-21W1	20	1
4-8W8		8
4-13W6	7	6
4-17W5	12	5
4-21WA4	17	4
4-25W3	22	3
4-27W2	25	2
5-24W7	17	7
5-36W4	32	4
5-43W2	41	2
5-47W1	46	1

Mating Hardware

<p>N No Hardware #8-32 tapped hole</p>
<p>B Female Guide Bushings Non-removable</p>
<p>G Male Guide Pins Non-removable</p>

Specifications

Current Rating	#20 7.5 AMPS, #8 40 AMPS
Test Voltage	1000 VAC RMS
Insulation Resistance	5000 megohms minimum
Operating Temperature	-65° C. to +200° C.
Ingress Protection	IP 67
Shock	300 g.
Vibration, Random	43.92 g.

Materials and Finishes

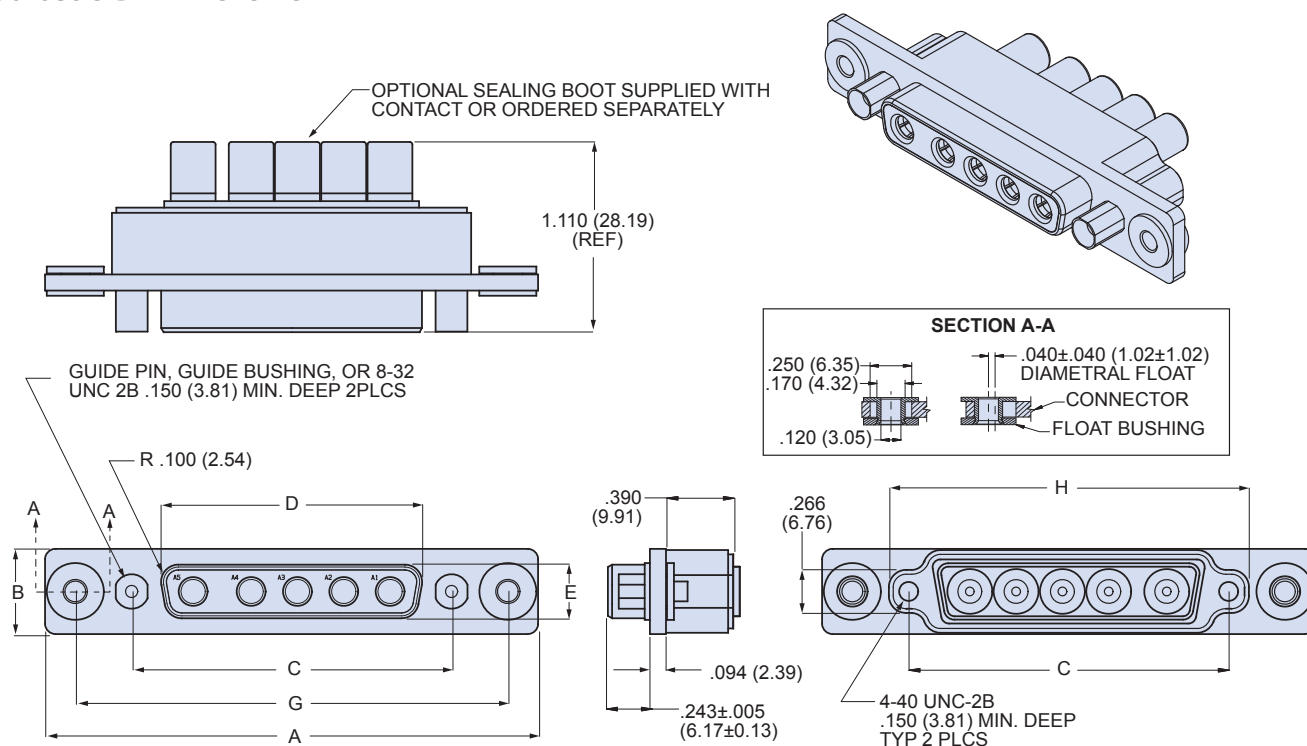
Shell	Aluminum alloy
Contacts	Copper alloy, 50 microinches gold
Insulators	Thermoset epoxy
Retention Clips	Copper alloy
Grommet, O-ring	Fluorosilicone rubber
Hardware	300 series stainless steel

SERIES 28 HiPer-D® Combo Connectors



280-059S float mount combo socket connectors for blind mating, crimp termination

280-059S DIMENSIONS



Dimensions														
Shell Size	A		B		C Basic		D		E		G Basic		H	
	in	mm	in	mm	in.	mm	in	mm	in	mm	in	mm	in	mm
	± .015	± 0.38	± .015	± 0.38	in.	mm	± .005	± 0.13	± .005	± 0.13	in	mm	± .005	± 0.13
1	1.986	50.44	.494	12.55	.984	24.99	.643	16.33	.311	7.90	1.636	41.55	1.231	31.27
2	2.314	58.78	.494	12.55	1.312	33.32	.971	24.66	.311	7.90	1.964	49.89	1.559	39.60
3	2.854	72.49	.494	12.55	1.852	47.04	1.511	38.38	.311	7.90	2.504	63.60	2.099	53.31
4	3.502	88.95	.494	12.55	2.500	63.50	2.159	54.84	.311	7.90	3.152	80.06	2.747	69.77
5	3.408	86.56	.600	15.24	2.406	61.11	2.064	52.43	.423	10.74	3.058	77.67	2.653	67.39
6	3.502	88.95	.662	16.81	2.500	63.50	2.189	55.60	.486	12.34	3.152	80.06	2.747	69.77

NOTES

1. See [About Series 28 HiPer-D® Shell Plating Options](#) for additional shell material and finish options. Glenair offers the industry's widest selection of plating options with no minimum order quantities or setup charges.
2. For panel cutouts, refer to [Panel Cutouts and Printed Circuit Board Footprints](#).
3. Connectors are supplied with size #20 crimp contacts per M39029. Contacts are not installed. Refer to [HiPer-D® Contacts and Tools](#) section for contact part numbers, specifications, crimp tool information, and insertion/extraction tools.
4. **Size 8 contacts are ordered separately.** Refer to [HiPer-D® Contacts and Tools](#) section for contact ordering information, specifications, crimp tool information, and insertion/extraction tools.
5. Combo HiPer-D® connectors meet the applicable requirements of MIL-DTL-24308 and are intermateable with standard non-environmental D Subminiature connectors with corresponding contact arrangements and type. **Size 8 contacts from other manufacturers cannot be installed in HiPer-D® connectors.**
6. Additional electrical, mechanical and environmental specifications are listed in [HiPer-D® Product Specification](#).