

Hi-Speed HiPer-D® Connectors



280-083S socket connector with for size 8 coax, twinax, quadrax and El Ochito® (octaxial) contacts



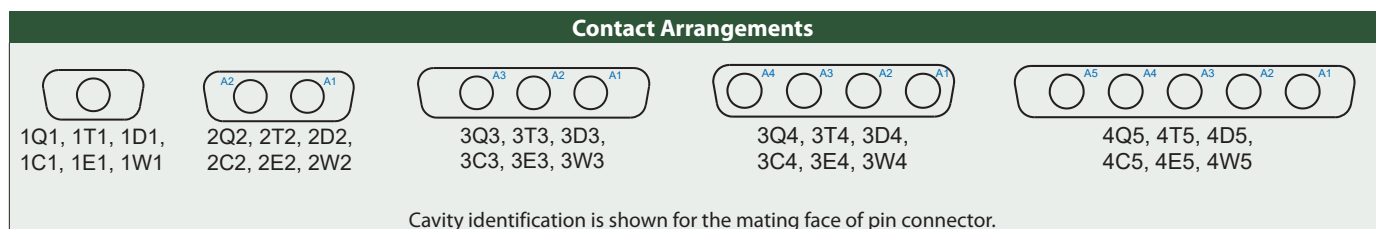
- Rugged machined one-piece shell
- Coax, twinax, quadrax, and El Ochito® contacts
- Easy contact installation and removal
- Fits panel footprint of M24308 D-Sub products

The Hi-Speed HiPer-D® is a M24308-type connector with keyed cavities for size 8 coax, twinax, quadrax and El Ochito® contacts. The Hi-Speed HiPer-D® socket connector features a one piece machined aluminum shell. Easy contact installation and removal, no tool required. Aluminum retainers captivate contacts. Available with 1, 2, 3, 4 or 5 cavities, these connectors provide size and weight savings compared to circular connectors. Hi-Speed, HiPer-D® connectors fit standard M24308 panel cutouts. Hi-Speed HiPer-D® connectors are non-environmental.

Ordering Information					
Sample Part Number	280-083S	4T5	MT	N	-01
Basic Part Number	280-083S				
Shell Size- Insert Arrangement	See Table 1				
Shell Finish (See Section A for Additional Finishes)	ME = Electroless Nickel MT = Nickel-PTFE Z2 = Gold over Electroless Nickel JF = Yellow Chromate over Cadmium				
Mating Hardware (See Table 3 for details)	N = No Hardware (Through-Hole) P = #4-40 Female Jackpost L = Captive Jackscrew, Hex Head, Low Profile K = Slot Head Jackscrew, Extended Length S = Screwlock, Male, Hex Head, Low Profile T = Screwlock, Male, Slot Head, Extended Length				
Hi-Speed Contact Option	See Table 2 for contact dash numbers. Omit if ordered less contacts.				

Technical Data
Specifications
<ul style="list-style-type: none"> ■ Operating temperature: -65 °C. to +200 °C. ■ Durability: 500 mating cycles ■ Shock: EIA-364-27 condition E ■ Vibration: EIA-364-28 condition IV ■ Humidity: EIA-364-31 condition 4 ■ Salt spray: EIA-364-26 condition B ■ Maximum Mating Force: shell size 1: 10 lbs. shell size 2: 17 lbs. shell size 3: 28 lbs. shell size 4: 39 lbs.
Construction
<ul style="list-style-type: none"> ■ Shell: aluminum alloy ■ Retainers: aluminum alloy ■ Screws: stainless steel, passivated

Shell Size	No of Contacts	Coax	Differential Twinax	Concentric Twinax	Quadrax	Ochito (Octo-Ax)	Less Contacts
1	1	1C1	1D1	1T1	1Q1	1E1	1W1
2	2	2C2	2D2	2T2	2Q2	2E2	2W2
3	3	3C3	3D3	3T3	3Q3	3E3	3W3
3	4	3C4	3D4	3T4	3Q4	3E4	3W4
4	5	4C5	4D5	4T5	4Q5	4E5	4W5



280-083S socket connector with size 8 coax, twinax, quadrax and El Ochito® (octaxial) contacts

Table 2 Size 8 Pin Contacts for 280-083S Connectors			
Contact Type	Dash No.	Cable Type	Ref. Contact Part Number
Coax (1C1, 2C2, 3C3, 3C4, 4C5)	-01	RG316DS	852-111-01
	-02	RG316	852-111-02
	-03	RG142, RG400	852-111-03
Concentric Twinax (1T1, 2T2, 3T3, 3T4, 4T5)	-01	0024A0024 (TE) GSC-03-81416-00 (Gore)	853-012
	-02	M17176-00002	853-004-08-628
Differential Twinax (1D1, 2D2, 3D3, 3D4, 4D5)	-01	RCN8945 (Gore)	853-013-01
	-02	GSC-03-83971-00 (Gore)	853-013-02
	-03	10612 (TE)	853-013-03
	-04	0024A0024 (TE)	853-013-04
	-05	M17176-00002 5M2022-003	853-013-05
	-06	1350SB (Belden)	853-013-06
	-07	2525B0524 (TE)	853-013-07
Quadrax (1Q1, 2Q2, 3Q3, 3Q4, 4Q5)	-01	NF26Q100-01 (Carlisle)	854-002-01
	-02	E51424 (PIC) NF24Q100-01 (Carlisle)	854-002-02
	-03	NF26Q100-01 (Carlisle) E51426 (PIC)	854-002-03
	-04	F 4704-4 (Draka) E50424 (PIC)	854-002-04
	-05	NF22Q100-01 (Carlisle)	854-002-05
El Ochito® (1E1, 2E2, 3E3, 3E4, 4E5)	-01	E6A326 (PIC)	858-003-01
	-02	RCN9047-26 (Gore)	858-017-01

* Refer to the RF Datalink & Contacts Catalog for detailed information

280-083S DIMENSIONS

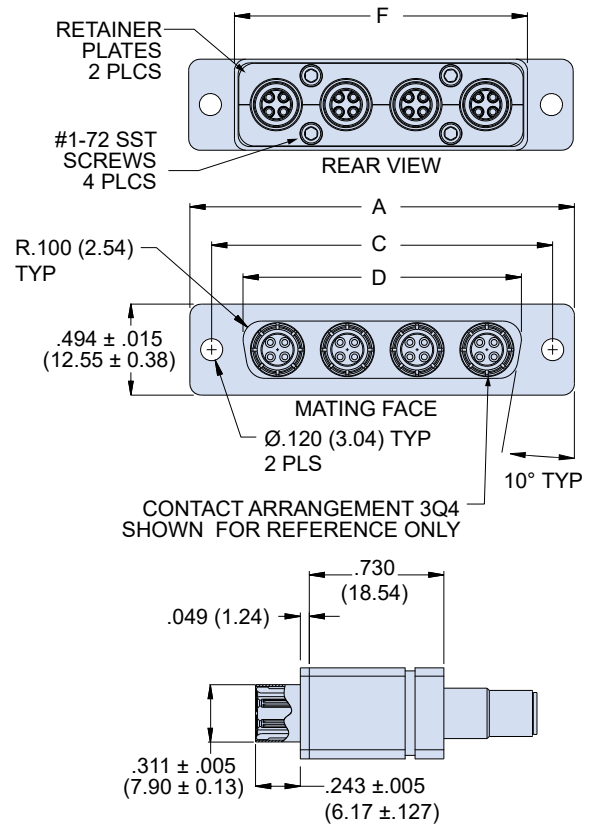


Table 3 Mating Hardware		
N Thru-Hole, No Hardware	P Female Jackpost	L Captive Jackscrew, Hex Head, Low Profile
 -.115/.125 (2.92/3.18)	 #4-40 UNC-2A NUT AND LOCKWASHER #4-40 UNC-2B	 RETAINER #4-40 UNC-2A
K Slot-Head Extended Jackscrew	S Captive Screwlock, Hex Head, Low Profile	T Slot-Head Extended Length, Screwlock
 1.1 (28) MAX RETAINER #4-40 UNC-2A	 RETAINER #4-40 UNC-2A	 1.1 (28) MAX RETAINER #4-40 UNC-2A

Shell Size	Dimensions							
	A		C Basic		D		F	
	In. ±.015	mm. ± 0.38	In. ±.003	mm. ± 0.08	In. ±.005	mm. ± 0.13	In. ±.005	mm. ± 0.13
1	1.213	30.81	.984	24.99	.643	16.33	.745	18.92
2	1.541	39.14	1.312	33.32	.971	24.66	1.075	27.31
3	2.088	53.04	1.852	47.04	1.511	38.38	1.615	41.02
4	2.729	69.32	2.500	63.50	2.159	54.84	2.260	57.40

NOTES

- Connectors are supplied with unassembled contacts.
- 280-083S socket connectors are intermateable with cable-mount 280-082P pin connectors and with 280-084P and 280-090P printed circuit board connectors.
- When rear panel mounting, order connector without hardware (N option) and order jackpost kit 289-015 separately.
- Connectors are compatible with HiPer-D® protective covers and 289T100 and 289T101 HiPer-D® backshells.