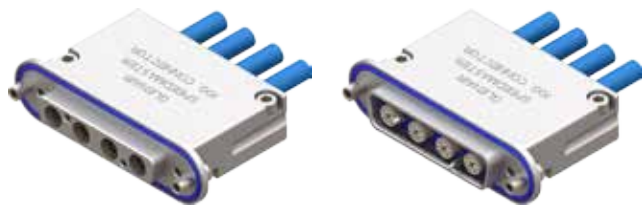


280-102M plug or 280-099F receptacle, rear panel mount connectors with SpeedMaster 10G contact modules

Part Number Development						
Sample Part Number	280-102M	4	P	MT	P	-1
Series	280-102M = rear panel mount plug 280-099F = rear panel mount receptacle					
Cavity Count	2 = 2 Cavities 4 = 4 Cavities					
Module Type	P = Pin S = Socket					
Material and Finish	NF = Aluminum alloy / Cadmium olive drab over electroless nickel MT = Aluminum alloy / nickel-PTFE ME = Aluminum alloy / electroless nickel ZR = Aluminum alloy / zinc nickel black RoHs compliant					
Hardware Options	P = Female jackpost					
Cable Size	See cable size table					



D

Mating Hardware

P
Female Jackpost

Cable Size	
Cable Size	Cable Diameter
1	.280 (7.11)
2	.274 (6.96)
3	.260 (6.60)
4	.250 (6.35)
5	.240 (6.10)
6	.230 (5.84)
7	.220 (5.59)

Cables*					
Cable P/N	Cable Category	Cable Construction	Wire Gage	Cable Dia.	Assembly Instructions
963-003-24	CAT 6A	SF/UTP	24	.280 (7.11)	AI85082
963-003-26	CAT 6A	SF/UTP	26	.220 (5.59)	
963-037	CAT 6A	SF/UTP	24	.260 (6.60)	
963-038	CAT 6A	SF/UTP	24	.270 (6.86)	

*Contact factory to inquire about use with other cables

Panel Cut-Out Dimensions

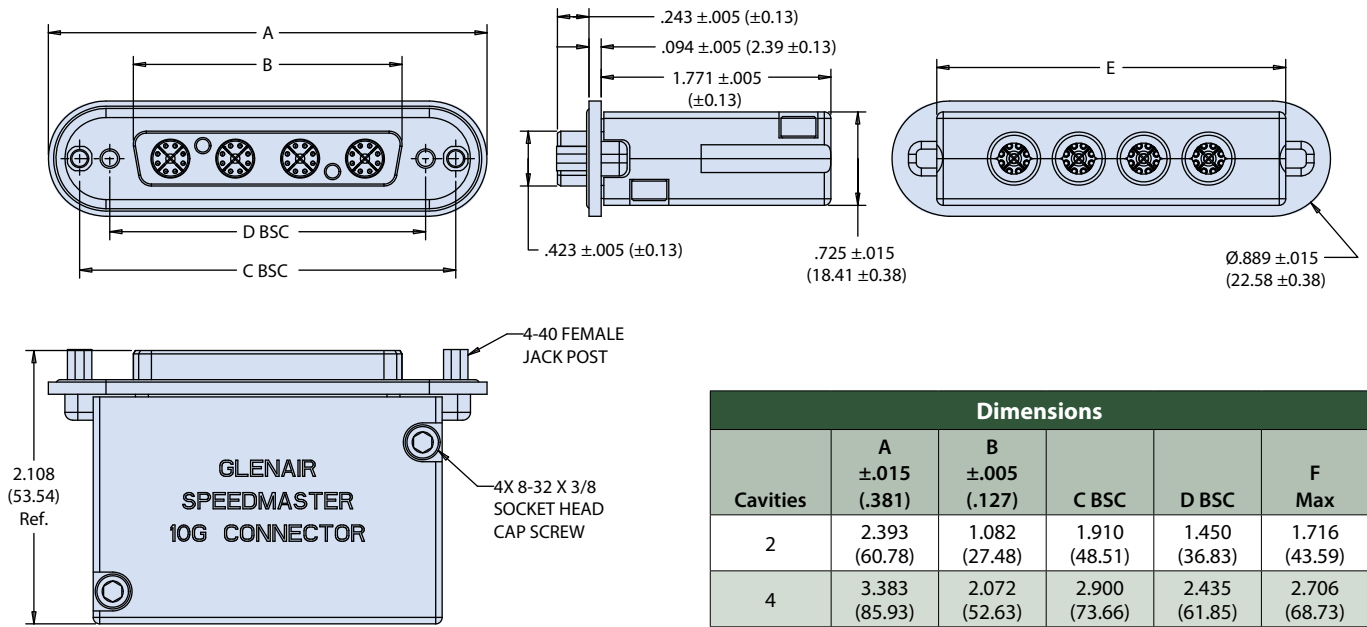
Cavities	A	B BSC	C BSC
	+0.005 (.13) -0.000 (.00)		
2	1.247 (31.67)	1.450 (36.83)	1.910 (48.51)
4	2.237 (56.82)	2.435 (61.85)	2.900 (73.66)

NOTES

1. Spare high-speed modules (858-100, 858-101) may be ordered separately. Module wrench tool (607-011) supplied with each connector.
2. See Assembly instructions AI 85082 for high-speed module terminations. See assembly instructions AI85089 for module installation.
3. See page 6 for SpeedMaster™ module inner contact pinout
4. For cables in-between sizes, select smaller size. Maximum cable diameter is .280 (7.11)
5. Material / Finish:
 - Shells: part number development table
 - Hardware: stainless steel - passivated
 - Grounding spring: BeCu alloy / electroless nickel
 - Seals, o-ring: fluorosilicone blend / N.A.

280-102M plug or 280-099F receptacle, rear panel mount connectors with SpeedMaster 10G contact modules

280-102 HIPER-D™ REAR PANEL MOUNT CONNECTOR, PLUG



280-099 HIPER-D™ REAR PANEL MOUNT CONNECTOR, RECEPTACLE

