

SERIES 28 HiPer-D® Accessories



Protective Covers for HiPer-D® connectors 289-003, 289-004, 289-019

HIPER-D® PROTECTIVE COVERS

Aluminum or stainless steel protective covers fit Glenair Series 28 HiPer-D® connectors and MIL-DTL-24308 connectors. Cover for pin connector fits inside connector shell and seats on connector face seal for watertight protection. Cover for socket connector fits over connector shell and has rubber gasket. Attach to panel with optional stainless steel lanyard and ring terminal.



289-003
289-019
289-004

| Protective Cover Types | | |
|---|---|--|
| Pin Cover | Socket Cover | Socket Cover w/ EMI Spring |
| | | |
| Fig. 1 Cover for use with HiPer-D® pin connectors. Part number 289-003. | Fig. 2 Cover for use with HiPer-D® socket connectors. Supplied without EMI spring. Fluorosilicone rubber gasket. Part number 289-019. | Fig. 3 Cover for use with HiPer-D® socket connectors. Supplied with EMI spring. Fluorosilicone rubber gasket. Part number 289-004. |

Hardware Options

Fig. 4
Female Jackposts (P)
#4-40 Thread
Stainless Steel

Fig. 5
Male Screwlocks (S)
#4-40 Thread
Stainless Steel

| Ordering Information | | | | | | |
|--------------------------|--|---|----|---|---|---|
| Sample Part Number | 289-003 | 2 | Z2 | P | F | 4 |
| Basic Part Number | 289-003 = Pin Connector Cover (Fig. 1) 289-019 = Socket Connector Cover (Fig. 2) 289-004 = Socket Connector Cover w/ EMI Spring (Fig. 3) | | | | | |
| Shell Size | 1 = Shell Size 1 2 = Shell Size 2 3 = Shell Size 3 4 = Shell Size 4 5 = Shell Size 5 6 = Shell Size 6 | | | | | |
| Finish | ME = Electroless Nickel MT = Nickel-PTFE JF = Cadmium with Yellow Chromate Z2 = Gold Z1 = Passivated Stainless Steel | | | | | |
| Hardware | N = No Hardware P = #4-40 Stainless Steel Jackposts (Fig. 4) S = Captive SST Hex Head Male Screwlocks (Fig. 5) | | | | | |
| Lanyard Type | N = No Attachment F = Nylon-Coated SST Lanyard w/ Ring Terminal H = Fluoropolymer-Coated SST Lanyard w/ Ring Terminal | | | | | |
| Lanyard Length | (Omit for No Attachment) Length in Inches | | | | | |

F

SERIES 28 HiPer-D® Accessories

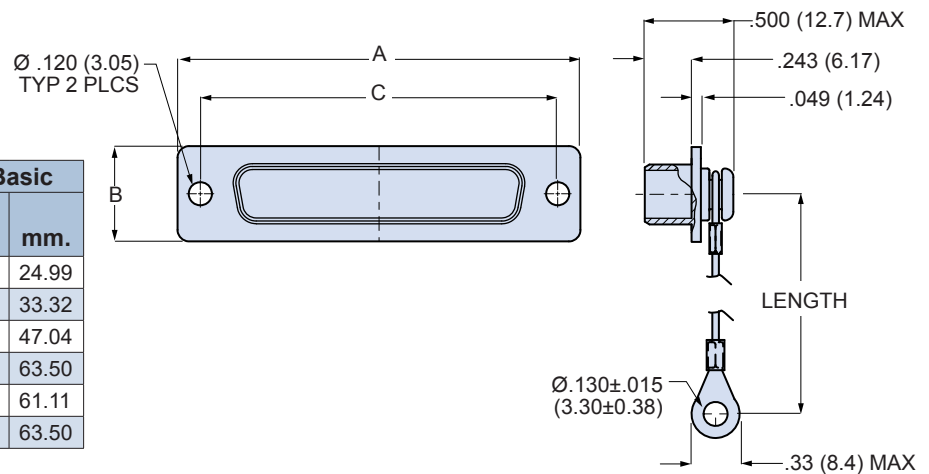


Protective Covers for HiPer-D® connectors

289-003, 289-004, 289-019

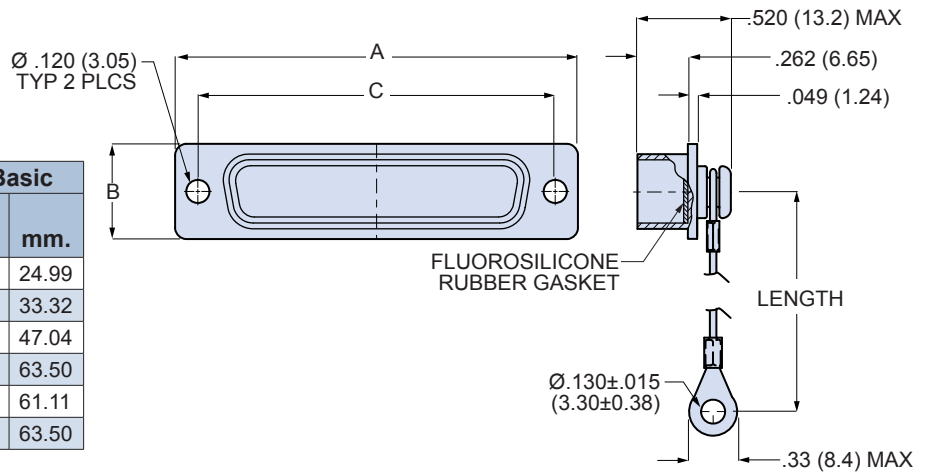
289-003 DIMENSIONS

| Shell Size | A | | B | | C Basic | |
|------------|----------------|---------------|----------------|---------------|---------|-------|
| | In . ± .015 | mm. ± 0.38 | In . ± .015 | mm. ± 0.38 | In . | mm. |
| 1 | 1.213 | 30.81 | .494 | 12.55 | .984 | 24.99 |
| 2 | 1.541 | 39.14 | .494 | 12.55 | 1.312 | 33.32 |
| 3 | 2.088 | 53.04 | .494 | 12.55 | 1.852 | 47.04 |
| 4 | 2.729 | 69.32 | .494 | 12.55 | 2.500 | 63.50 |
| 5 | 2.635 | 66.93 | .605 | 15.37 | 2.406 | 61.11 |
| 6 | 2.729 | 69.32 | .668 | 16.97 | 2.500 | 63.50 |



289-019 DIMENSIONS

| Shell Size | A | | B | | C Basic | |
|------------|----------------|---------------|----------------|---------------|---------|-------|
| | In . ± .015 | mm. ± 0.38 | In . ± .015 | mm. ± 0.38 | In . | mm. |
| 1 | 1.213 | 30.81 | .494 | 12.55 | .984 | 24.99 |
| 2 | 1.541 | 39.14 | .494 | 12.55 | 1.312 | 33.32 |
| 3 | 2.088 | 53.04 | .494 | 12.55 | 1.852 | 47.04 |
| 4 | 2.729 | 69.32 | .494 | 12.55 | 2.500 | 63.50 |
| 5 | 2.635 | 66.93 | .605 | 15.37 | 2.406 | 61.11 |
| 6 | 2.729 | 69.32 | .668 | 16.97 | 2.500 | 63.50 |



289-004 DIMENSIONS

| Shell Size | A | | B | | C Basic | |
|------------|----------------|---------------|----------------|---------------|---------|-------|
| | In . ± .015 | mm. ± 0.38 | In . ± .015 | mm. ± 0.38 | In . | mm. |
| 1 | 1.213 | 30.81 | .494 | 12.55 | .984 | 24.99 |
| 2 | 1.541 | 39.14 | .494 | 12.55 | 1.312 | 33.32 |
| 3 | 2.088 | 53.04 | .494 | 12.55 | 1.852 | 47.04 |
| 4 | 2.729 | 69.32 | .494 | 12.55 | 2.500 | 63.50 |
| 5 | 2.635 | 66.93 | .605 | 15.37 | 2.406 | 61.11 |
| 6 | 2.729 | 69.32 | .668 | 16.97 | 2.500 | 63.50 |

