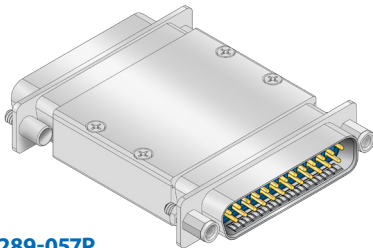


SERIES 28 HiPer-D® Accessories



D-subminiature gender changer 289-057P, 289-058S

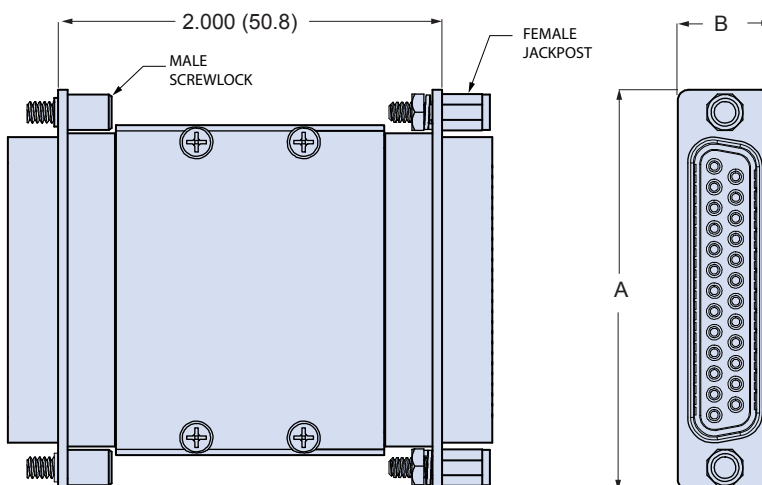
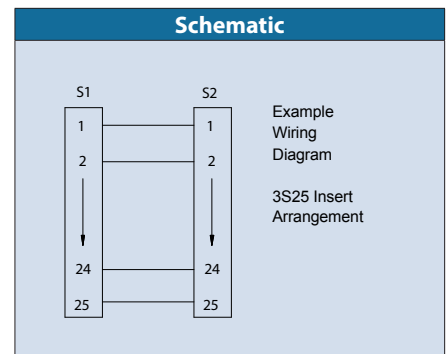


289-057P
289-058S

HiPer-D® Gender Changers provide a convenient way to change the gender of an interface to allow attachment of a mismatched cable. Two styles are available: male-male and female-female. Machined metal housing protects circuits from EMI problems. Contacts are heavy gold plated for improved durability. Available in standard density and high density contact arrangements. Intermateable with standard M24308-type connectors. Pin mating face has fluorosilicone rubber seal. Choose electroless nickel or gold shell finish for avionics and space applications. Choose cadmium for compatibility with cadmium or zinc plated M24308 connectors, or choose nickel-PTFE for maximum corrosion protection. Other materials and finishes available on request.

Ordering Information	
Sample Part Number	289-057P 3S25 ME N 1
Basic Part Number	289-057P = Male-Male with Pin Contacts 289-058S = Female-Female with Socket Contacts
Shell Size-Contact Arrangement	Contact Arrangements are shown in the adjacent table
Finish	ME = Electroless Nickel MT = Nickel-PTFE JF = Cadmium with Yellow Chromate Z2 = Gold Z1 = Passivated Stainless Steel
Ground Spring	Omit for 289-058S. Applies to 289-057P Male-Male adapter only. G = Supplied with EMI Ground Spring N = No Ground Spring
Mating Hardware	1 = Captive #4-40 Male Screwlocks on Both Ends 2 = #4-40 Female Jackposts on Both Ends 3 = Captive #4-40 Male Screwlocks on One End, #4-40 Female Jackposts on One End

Shell Size - Contact Arrangements		
Shell Size-Contact Arr.	Contact Size and Qty	
	#20	#22
Standard Density		
1S9	9	
2S15	15	
3S25	25	
4S37	37	
5S50	50	
High Density		
1H15		15
2H26		26
3H44		44
4H62		62
5H78		78
6H104		104



Shell Size	Dimensions			
	A		B	
	in	mm	in	mm
1	± .015	± 0.38	± .015	± 0.38
2	1.213	30.81	.494	12.55
3	1.541	39.14	.494	12.55
4	2.088	53.04	.494	12.55
5	2.729	69.32	.494	12.55
6	2.635	66.93	.605	15.37
	2.729	69.32	.668	16.97

