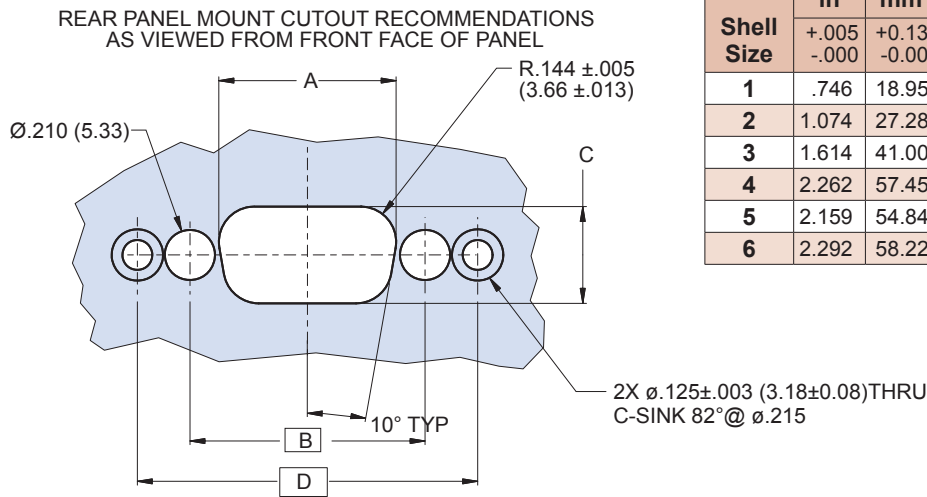


Panel cutout for panel mount connectors with O-ring and panel cutout for float mount connectors

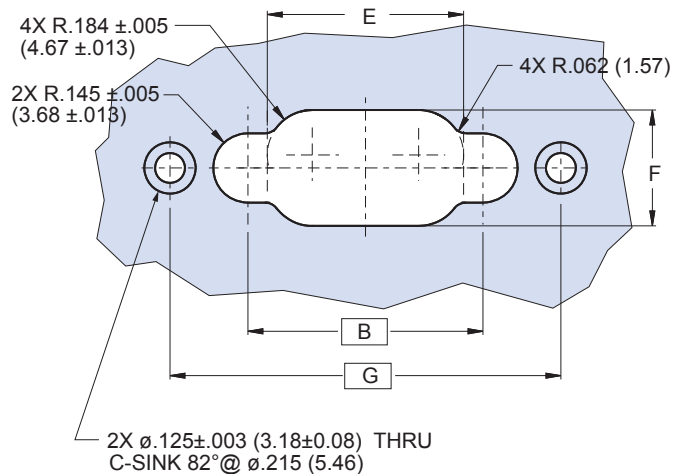
PANEL CUTOUT FOR PANEL MOUNT CONNECTORS WITH O-RING



Shell Size	A		B Basic		C		D Basic	
	in	mm	in	mm	in.	mm	in	mm
	+0.005 -0.000	+0.13 -0.00			+0.005 -0.000	+0.13 -0.00		
1	.746	18.95	.984	24.99	.409	10.39	1.424	36.17
2	1.074	27.28	1.312	33.32	.409	10.39	1.752	44.50
3	1.614	41.00	1.852	47.04	.409	10.39	2.292	58.22
4	2.262	57.45	2.500	63.50	.409	10.39	2.940	74.68
5	2.159	54.84	2.406	61.11	.521	13.23	2.846	72.29
6	2.292	58.22	2.500	63.50	.583	14.81	2.940	74.68

PANEL CUTOUT FOR FLOAT MOUNT CONNECTORS

REAR PANEL CUTOUT VIEWED FROM FRONT OF PANEL



Shell Size	B Basic		E		F		G Basic	
	in	mm	in	mm	in.	mm	in	mm
			+0.005 -0.000	+0.13 -0.00	+0.005 -0.000	+0.13 -0.00		
1	.984	24.99	.826	20.98	.489	12.42	1.636	41.55
2	1.312	33.32	1.154	29.31	.489	12.42	1.964	49.89
3	1.852	47.04	1.694	43.03	.489	12.42	2.504	63.60
4	2.500	63.50	2.342	59.49	.489	12.42	3.152	80.06
5	2.406	61.11	2.239	56.87	.601	15.27	3.058	77.67
6	2.500	63.50	2.372	60.25	.663	16.84	3.152	80.06