

# 947-106 Quick Disconnect, Swivel Lanyard MIL-DTL-5015 Type

## HOW TO ORDER:

EXAMPLE:                    947 - 106 - XX XX

PRODUCT SERIES        ————|———|

BASIC NO                ————|———|

SHELL SIZE TABLE I    ————|———|

CONTACT ARRANGEMENT (MIL-STD-1651) ————|———|

## NOTES:

- ASSEMBLY TO BE IDENTIFIED WITH "GLENAIR", GLENAIR PART NUMBER, AND DATE CODE.
- PLUG IS COUPLED TO THE RECEPTACLE BY PULLING COUPLING RING REARWARD AND THEN PUSH THE RECEPTACLE FORWARD. PLUG IS UNCOUPLED BY A STRAIGHT AXIAL PULL OF LANYARD
- CONNECTOR 947-106-XXXX MATES TO AN MS3102A-XX-XX CONNECTOR WITH QUICK DISCONNECT ADAPTER ATTACHED - P/N 687-329-XX (TO BE ORDERED SEPARATELY).
- FOR SHELL SIZE 32, 36, 40, 44, AND 48 CONSULT FACTORY
- MATERIAL/FINISH:  
CONNECTOR BODY-PER MS3106A PLUG  
ADAPTER, LANYARD SLEEVE-AL ALLOY/CADIUM OLIVE DRAB  
LANYARD-CRES/PASSIVATED NYLON JACKET

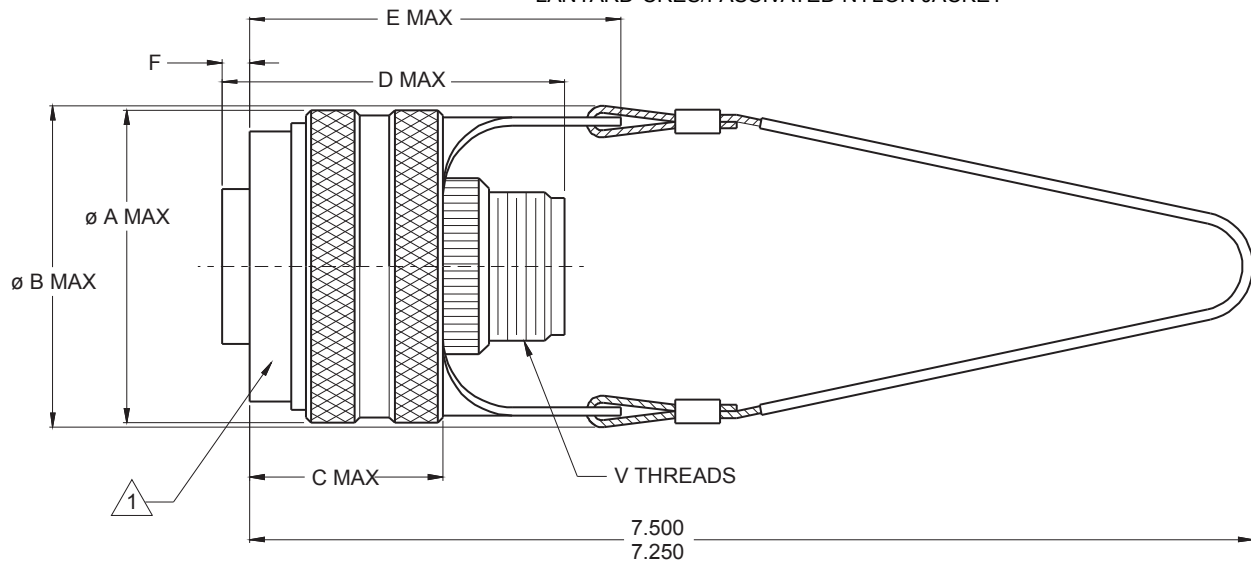


TABLE I: CONNECTOR DIMENSIONS

SHELL SIZE	V THREAD CLASS 2A	ø A MAX	ø B MAX	C MAX	D MAX	E MAX	F DIM
8S	.500-28 UNEF-2A	1.040 (26.4)	1.320 (33.5)	.740 (18.8)	1.469 (37.3)	1.700 (43.2)	.089-.161 (2.3-4.1)
10S	.500-28 UNEF-2A	1.165 (29.6)	1.445 (36.7)		1.531 (38.9)		
10SL	.625-24 NEF-2A				2.062 (52.4)		
12	.625-20 NEF-2A	1.290 (32.8)	1.570 (39.9)		1.688 (42.9)		.027-.099 (0.7-2.5)
12S	.625-24 NEF-2A				2.062 (52.4)		.089-.161 (2.3-4.1)
14	.750-20 UNEF-2A	1.415 (35.9)	1.695 (43.1)		1.688 (42.9)		.027-.099 (0.7-2.5)
14S	.750-20 UNEF-2A				2.062 (52.4)		.089-.161 (2.3-4.1)
16	.6875-20 UNEF-2A	1.540 (39.1)	1.820 (46.2)		2.062 (52.4)		.027-.099 (0.7-2.5)
16S	.6875-20 UNEF-2A				1.688 (42.9)		.089-.161 (2.3-4.1)
18	1.000-20 UNEF-2A	1.665 (42.3)	1.945 (49.4)		.880 (22.4)		2.062 (52.4)
20	1.1875-18 UNEF-2A	1.780 (45.2)	2.060 (52.3)	2.188 (55.6)			
22	1.1875-18 UNEF-2A	1.910 (48.5)	2.190 (55.6)	.950 (24.1)		2.312 (58.7)	1.920 (48.8)
24	1.4375-18 UNEF-2A	2.040 (51.8)	2.274 (57.8)				
28	1.4375-18 UNEF-2A	2.240 (56.9)	2.520 (64.0)				