

IT 40450 - XX
IT 40450 - XXS

Guarnizione per connettori da pannello
Gasket for fixed connectors

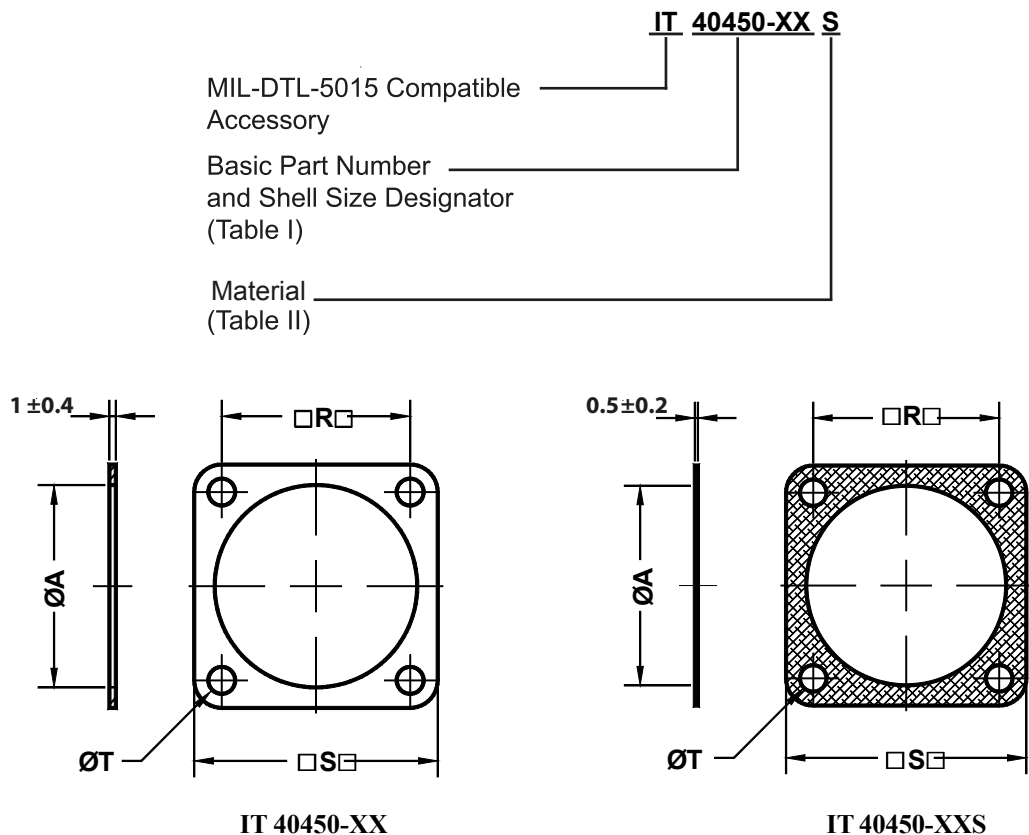


TABLE I: CONNECTOR SIZE AND DIMENSIONS

Codice P/N	Shell Size	ØA +1	R ±0.2	S ±0.5	ØT +0.5
IT 40450 - 10	10SL	15.7	18.2	25.4	4.2
IT 40450 - 12	12S-12	18.9	20.6	28.0	4.2
IT 40450 - 14	14S	22.1	23.0	30.0	4.2
IT 40450 - 16	16S - 16	25.3	24.6	32.5	4.2
IT 40450 - 18	18	28.4	27.0	35.0	4.2
IT 40450 - 20	20	31.6	29.4	38.0	4.2
IT 40450 - 22	22	34.8	31.8	41.0	4.2
IT 40450 - 24	24	38.0	34.9	44.5	4.2
IT 40450 - 28	28	44.3	39.7	50.8	5.1
IT 40450 - 32	32	50.7	44.5	57.0	5.1
IT 40450 - 36	36	57.0	49.2	63.5	5.1
IT 40450 - 40	40	61.9	55.5	69.9	5.1

Guarnizione per connettore fisso.
 IT40450-XX : non conduttiva,
 IT40450-XXS : conduttiva.

TABLE II

MATERIAL	
Sym	Description
S	Wire Mesh in Neoprene Substrate (Conductive)
F	Fluorosilicone
V	Viton
Y	Silicone
Omit for Neoprene	

Gasket for square flange receptacle.
 IT40450-XX : non conductive,
 IT40450-XXS : conductive.