

Size #12 Pneumatic Contacts

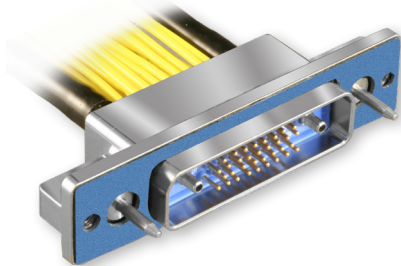
Stainless steel pneumatic contacts attach to 3/32 inch (2.38) diameter tubing. Socket contact has o-ring and PTFE backup washers. Contacts snap into size #12 connector cavities. Ideal for pitot tube connections, these pneumatic contacts are rated for 100 PSI maximum air pressure. No installation tool is required. Remove contacts with plastic extraction tool 809-132.



#12 Pin Contact

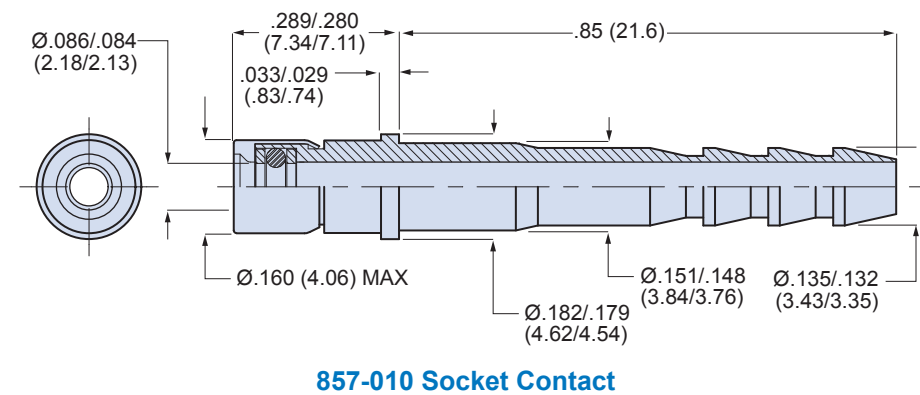
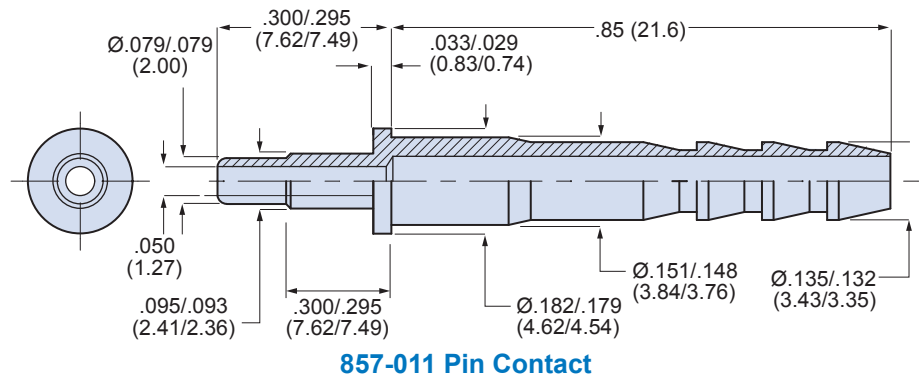


#12 Socket Contact



Blind mate panel mount connector with pneumatic size #12 contacts

Contact Type	Tube I.D.	Part Number
Pin	.094 (2.38)	857-011
Socket	.094 (2.38)	857-010



Material and Finish

Body and Cap: stainless steel, passivated
O-ring: fluorosilicone
Washers: PTFE

Dimensions in Inches (millimeters) are subject to change without notice.