

SERIES 801 DOUBLE-START ACME THREAD Mighty Mouse Connectors and Cables



CODE RED Light Weight Hermetic Receptacle, Solder Cup or PC Tail

CODE RED™



Series 801 Light Weight Hermetic Receptacles

Feature an advanced hermetic encapsulant seal for a leak rate performance of 1×10^{-7} ccHe/second. Encapsulant seal allows for the use of copper alloy/gold plated contacts for improved performance over nickel-iron contacts typically found in glass-to-metal sealed connectors. Modified double-start stub ACME mating thread for improved protection against cross-mating and thread damage. Two shell styles — jam-nut or square flange, available. Solder cup or PC tail contacts for attachment to flex or rigid circuit boards.

Connector is not for use in liquid environments.

How To Order		801-122	-07	ZNU	6-4	P	N
Sample Part Number							
Series	801-122 = CODE RED Light Weight Hermetic Receptacles						
Shell Style (See Table I)	-02 = Square Flange, Front or Rear Panel Mount -07 = Jam-Nut, Rear Panel Mount						
Material and Finish	M = Alumin/Electroless Nickel ME = Aluminum/Electroless Nickel, Thick NF = Aluminum/Cadmium-Nickel/Olive Drab ZN = Aluminum/Zinc-Nickel/Olive Drab ZNU/ZR = Aluminum/Zinc-Nickel, Black Chromate						
Shell Size - Insert Arrangement	See Contact Arrangements page E-7						
Contact Type	E = Pin, Solder Cup		P = Pin, PC Tail				
	F = Socket, Solder Cup		S = Socket, PC Tail				
Polarization (See Table II)	A = Normal B = Pos. B C = Pos. C D = Pos. D E = Pos. E F = Pos. F						

Table I: Shell Style

Style -02 Square Flange	Style -07 Jam-Nut

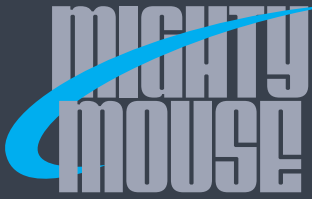
Table II: Keyway Positions

Position	A°	B°
A	150°	210°
B	75°	210°
C	95°	230°
D	140°	275°
E	75°	275°
F	95°	210°

NOTES

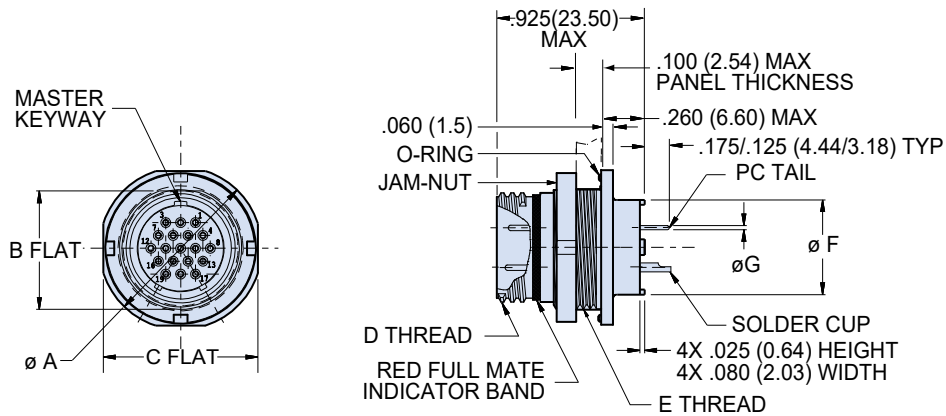
- This connector mates with all quick coupling high density plug connectors with same polarization and opposite contact gender, (801-001, 801-002, 801-007, and 801-008)
- Performance:
Temperature range: -65° C to +200° C
Hermeticity: 1×10^{-7} cc/sec He @ 1 ATM differential
DWV: 750 VAC @ sea level
IR: 5,000 megohms @ 500 VDC minimum, room temperature connector shall not be used in liquid environments
- See page E-11 for panel cut-out dimensions
- Material / finish:
 - Shell and jam-nut: see part number development
 - Insulator: high grade rigid dielectric / N.A.
 - O-ring and seals: Fluorosilicone / N.A.
 - Contacts: copper alloy / gold plate
 - Sealing compound: potting encapsulant

SERIES 801 DOUBLE-START MATING

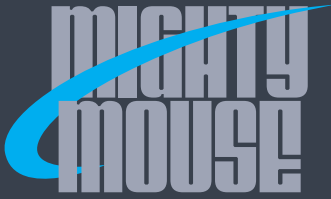


CODE RED Light Weight Jam-Nut Hermetic Receptacle, Solder Cup or PC Tail

801-122-07 JAM-NUT MOUNT RECEPTACLE - SHELL STYLE 07



Dimensions							
Shell Size	Ø A	B Flat	C Flat	D Thread	E Thread UN-2A	Ø F	Ø G PC Tail Dia.
5	.575 (14.60)	.350 (8.89)	.545 (13.84)	.3125-.05P-.1L-2A	.3750-28	.244 (6.20)	
6	.635 (16.13)	.410 (10.41)	.595 (15.11)	.3750-.05P-.1L-2A	.4375-28 UNEF-2A	.330 (8.38)	#23 .018/.022 (0.46/0.56)
7	.755 (19.18)	.536 (13.61)	.723 (18.36)	.4375-.05P-.1L-2A	.5625-32	.432 (10.97)	#20 .024/.028 (0.61/0.71)
8	.755 (19.18)	.536 (13.61)	.723 (18.36)	.5000-.05P-.1L-2A	.5625-32	.493 (12.52)	#16 .060/.064 (1.52/1.63)
9	.830 (21.08)	.596 (15.14)	.790 (20.07)	.5625-.05P-.1L-2A	.6250-28	.551 (14.00)	#12 .092/.096 (2.34/2.44)
10	.890 (22.61)	.658 (16.71)	.855 (21.72)	.6250-.05P-.1L-2A	.6875-28	.620 (15.75)	
11	.960 (24.38)	.718 (18.24)	.925 (23.50)	.6875-.05P-.1L-2A	7500-28	.662 (16.81)	
13	1.078 (27.38)	.845 (21.46)	1.044 (26.52)	.8125-.1P-.2L-2A	.8750-28	.703 (17.86)	
16	1.265 (32.13)	1.022 (25.96)	1.230 (31.24)	1.0000-.1P-.2L-2A	1.0625-20	.863 (21.92)	
17	1.325 (33.65)	1.096 (27.84)	1.290 (32.77)	1.0625-.1P-.2L-2A	1.1250-28	.912 (23.16)	
19	1.450 (36.83)	1.225 (31.12)	1.415 (35.94)	1.1875-.1P-.2L-2A	1.2500-28	1.018 (25.86)	
21	1.625 (41.28)	1.346 (34.19)	1.577 (40.06)	1.3125-.1P-.2L-2A	1.3750-28	1.170 (29.72)	

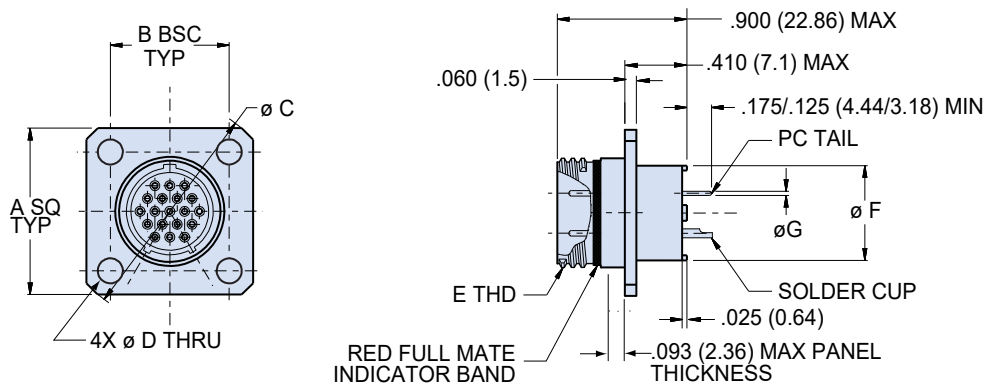


SERIES 801 DOUBLE-START ACME THREAD
Mighty Mouse Connectors and Cables



CODE RED Light Weight Square-Flange Hermetic Receptacle, Solder Cup or PC Tail

801-122-02 FRONT OR REAR, SQUARE FLANGE MOUNT - SHELL STYLE 02



Dimensions							
Shell Size	A Sq	B BSC	Ø C	Ø D	E Thread	Ø F	Ø G PC Tail Dia
5	.530 (13.46)	.363 (9.22)	.680 (17.27)	.096 (2.44)	.3125-.05P-.1L-2A	.244 (6.20)	#23 .018/.022 (0.46/0.56)
6	.590 (14.99)	.423 (10.74)	.750 (19.05)		.3750-.05P-.1L-2A	.330 (8.38)	
7	.650 (16.51)	.483 (12.27)	.850 (21.59)	.091 (2.31)	.4375-.05P-.1L-2A	.432 (10.97)	#20 .024/.028 (0.61/0.71)
8	.712 (18.08)	.545 (13.84)	.938 (23.83)		.5000-.05P-.1L-2A	.493 (12.52)	
9	.850 (21.59)	.607 (15.42)	1.125 (28.58)	.130 (3.30)	.5625-.05P-.1L-2A	.551 (14.00)	#16 .060/.064 (1.52/1.63)
10	.890 (22.61)	.670 (17.02)	1.188 (30.18)		.6250-.05P-.1L-2A	.620 (15.75)	
11	.935 (23.75)	.715 (18.16)	1.250 (31.75)	.126 (3.20)	.6875-.05P-.1L-2A	.662 (16.81)	#12 .092/.096 (2.34/2.44)
13	1.030 (26.16)	.812 (20.62)	1.375 (34.92)		.8125-.1P-.2L-2A	.703 (17.86)	
16	1.219 (30.96)	.981 (24.92)	1.625 (41.28)		1.0000-.1P-.2L-2A	.863 (21.92)	
17	1.280 (32.51)	1.060 (26.92)	1.700 (43.18)		1.0625-.1P-.2L-2A	.912 (23.16)	
19	1.432 (36.37)	1.191 (30.25)	1.900 (48.26)		1.1875-.1P-.2L-2A	1.018 (25.86)	
21	1.565 (39.75)	1.322 (33.58)	2.100 (53.34)		1.3125-.1p-.2L-2a	1.170 (29.72)	

SERIES 801 DOUBLE-START MATING