

SERIES 802, 3500 PSI SUBMERSIBLE AquaMouse Connectors and Cables



Hermetic Receptacle with Crimp Removable Termination and Integral Banding Porch



Series 802 Hermetic Receptacles feature integral banding porch. Gold plated nickle-iron alloy contacts and compression glass dielectric material. Stainless steel connector shell with integral banding porch provides excellent corrosion protection and is suitable for e-beam welding. Viton® O-rings offer improved resistance to high temperature and harsh chemicals.

Hermetically Sealed 100% tested to meet 1×10^{-7} ccHe/sec @ 1 atm. Open face (unmated) pressure rating is 1000 PSI. When mated, Series 802 connectors withstand 3500 PSI hydrostatic pressure.

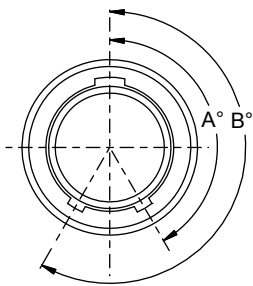
How To Order						
Sample Part Number	802-056	-07	Z1	6-7	P	A
Series	802-056 = Hermetic Receptacle					
Shell Style (See Table I)	-00 = Jam-Nut, Front Panel Mount -02 = Box Mount -07 = Jam-Nut, Rear Panel Mount					
Shell Material and Finish	Z1 = Stainless Steel / Passivated ZL = Stainless Steel / Nickel Plated					
Shell Size - Insert Arrangement	See Contact Arrangements page F-3					
Contact Type	P = Pin, Face S = Socket, Face					
Polarization (See Table II)	A = Normal B = Pos. B C = Pos. C D = Pos. D E = Pos. E F = Pos. F					

Table I: Shell Style

-00 Jam-Nut for Front Panel Mounting	-02 Square Flange	-07 Jam-Nut for Rear Panel Mounting

Table II: Key Positions

Key Position	Key Rotation	
	A°	B°
A Normal	150°	210°
B	75°	210°
C	95°	230°
D	140°	275°
E	75°	275°
F	95°	210°



NOTES

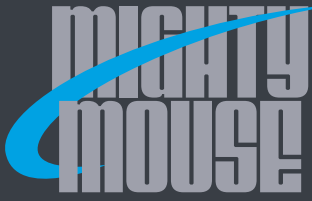
1. Socket contacts for termination are shipped loose with parts
2. Mates to 802 series plugs
3. Performance capabilities:
 - Hydrostatic pressure rating: 1000 PSI open face, 3500 PSI fully mated and properly molded
 - Insulation resistance (test): 5,000 megohms @ 500 VDC minimum
 - Dielectric withstanding voltage (test): See Table III
 - Hermeticity: 1×10^{-7} ccHe/sec leak rate at 1 ATM
4. Parker O-ring compound V709-90 or equivalent
5. See page F-8 for panel cut-out dimensions

Table III: DWV Rating by Contact

23	750 VAC
20 HD	1000 VAC
16, 12, 8	1800 VAC

Material/Finish

- Shell, jam-nut: SST / see part number development
- Insulator, hermetic: full glass
- Insulator, socket: high-grade rigid dielectric
- Seals, grommet: fluorosilicone
- Contact, hermetic: alloy 52/gold plate
- Contact, socket: copper alloy/gold plate
- O-rings: Viton/90 shore

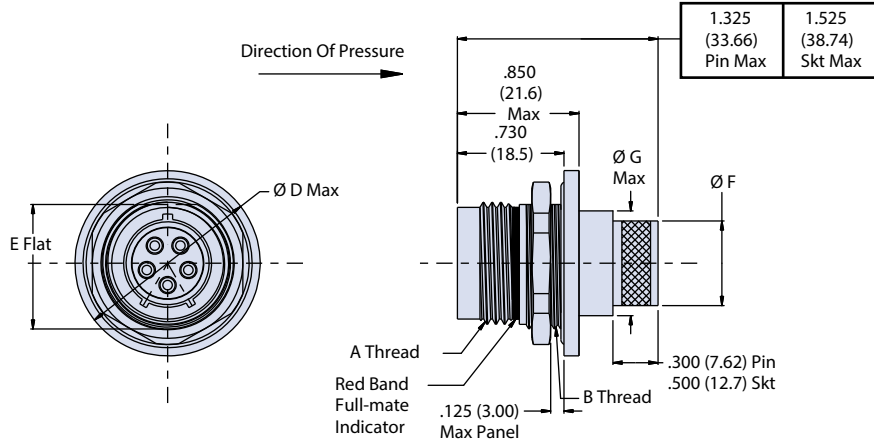


SERIES 802, 3500 PSI SUBMERSIBLE AquaMouse Connectors and Cables

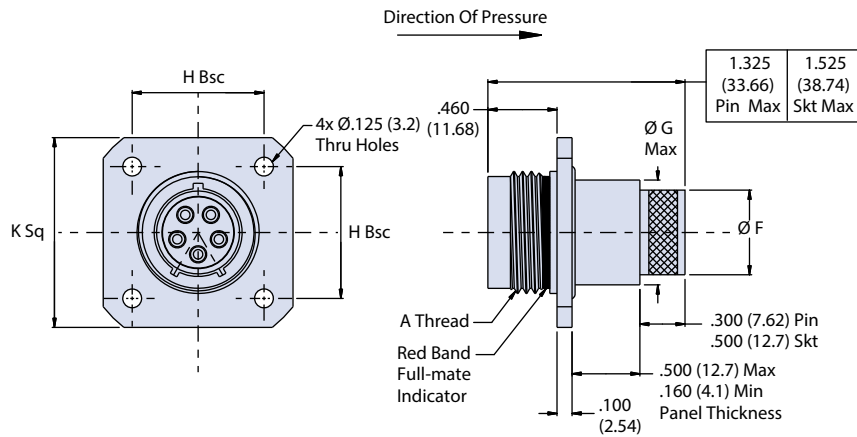


Hermetic Receptacle with Crimp Removable Termination and Integral Banding Porch

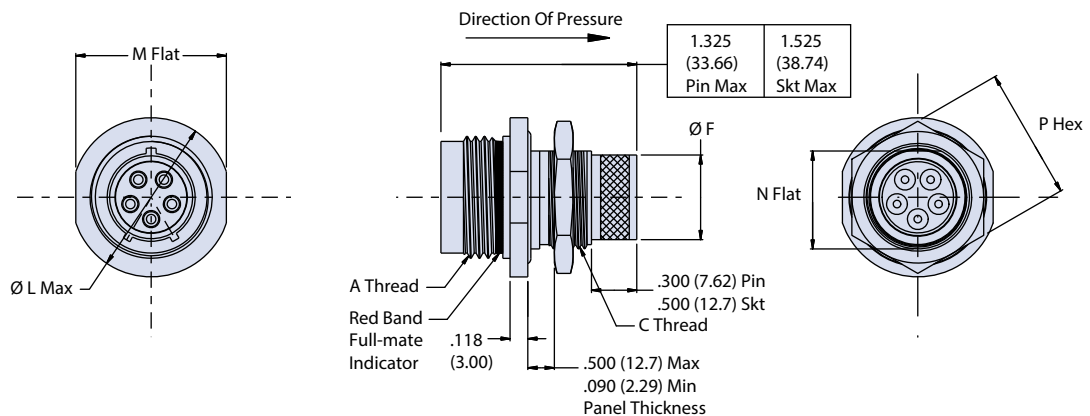
JAM-NUT, REAR PANEL MOUNT RECEPTACLE - SHELL STYLE 07



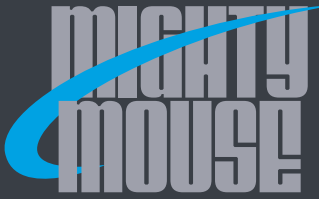
BOX MOUNT, RECEPTACLE - SHELL STYLE 02



JAM-NUT, FRONT PANEL MOUNT RECEPTACLE - SHELL STYLE 00



SERIES 802 AQUAMOUSE



SERIES 802, 3500 PSI SUBMERSIBLE
AquaMouse Connectors and Cables



Hermetic Receptacle with Crimp Removable
Termination and Integral Banding Porch

Dimensions									
Shell Size	A Thread	B Thread	C Thread	Ø D	E Flat	Ø F	Ø G	H Dim	K Dim
5	.4375-28 UNEF	.5000-32 UN	.312-28 UN	0.885 (22.50)	.469/.463 (11.9/11.8)	0.232 (5.90)	0.320 (8.10)	0.500 (12.70)	0.885 (22.50)
6	.5625-20 UN	.6250-20 UN	.438-28 UN	1.010 (25.70)	.594/.588 (15.1/14.9)	0.312 (7.90)	0.380 (9.60)	0.625 (15.90)	1.010 (25.70)
7	.6250-20 UN	.6875-28 UN	.500-32 UN	1.072 (27.20)	.656/.650 (16.7/16.5)	0.375 (9.50)	0.510 (12.90)	0.688 (17.50)	1.072 (27.20)
8	.6875-20 UN	.7500-28 UN	.562-28 UN	1.135 (28.80)	.729/.725 (18.5/18.4)	0.438 (11.10)	0.560 (14.20)	0.750 (19.10)	1.135 (28.80)
9	.7500-20 UNEF	.8125-28 UN	.625-20 UN	1.195 (30.40)	.781/.775 (19.8/19.7)	0.500 (12.70)	0.635 (16.10)	0.812 (20.60)	1.195 (30.40)
10	.8125-20 UNEF	.8750-28 UN	.687-28 UN	1.260 (32.00)	.830/.824 (21.1/20.9)	0.562 (14.30)	0.695 (17.70)	0.875 (22.20)	1.260 (32.00)
12	.8750-20 UNEF	.9375-28 UN	.750-28 UN	1.322 (33.60)	.893/.887 (22.7/22.5)	0.656 (16.70)	0.755 (19.20)	0.938 (23.80)	1.323 (33.60)
14	1.0625-20 UN	1.1250-28 UN	.938-28 UN	1.510 (38.40)	1.080/1.074 (27.4/27.3)	0.812 (20.60)	0.945 (24.00)	1.125 (28.60)	1.510 (38.40)
15	1.1250-20 UN	1.1875-28 UN	1.000-28 UN	1.572 (39.90)	1.143/1.137 (29.0/28.9)	0.885 (22.40)	1.005 (25.50)	1.188 (30.20)	1.573 (40.00)
21	1.4375-20 UN	1.5000-28 UN	1.312-28 UN	1.940 (49.30)	1.467/1.463 (37.3/37.2)	1.188 (30.20)	1.305 (33.10)	1.375 (34.90)	1.750 (44.50)

Dimensions (continued)							
Shell Size	Ø L	M Flat	N Flat	P Hex	Piston O-ring*	Flange O-ring Style 00 & 02*	Flange O-ring Style 07*
5	0.72 (18.30)	0.625 (15.90)	0.281 (7.10)	0.500 (12.70)	2-009	2-012	2-015
6	0.78 (19.80)	0.750 (19.10)	0.406 (10.30)	0.625 (15.90)	5-052	2-014	2-017
7	0.91 (23.10)	0.812 (20.60)	0.469 (11.90)	0.688 (17.50)	2-012	2-015	2-019
8	0.96 (24.40)	0.875 (22.20)	0.531 (13.50)	0.750 (19.10)	5-212	2-016	2-019
9	1.03 (26.20)	0.937 (23.80)	0.594 (15.10)	0.812 (20.60)	2-014	2-017	2-020
10	1.09 (27.70)	1.000 (25.40)	0.656 (16.70)	0.875 (22.20)	2-015	2-018	2-021
12	1.16 (29.50)	1.062 (27.00)	0.719 (18.30)	0.938 (23.80)	2-016	2-019	2-022
14	1.34 (34.00)	1.250 (31.80)	0.893 (22.70)	1.125 (28.60)	2-019	2-022	2-025
15	1.41 (35.80)	1.312 (33.30)	0.955 (24.30)	1.188 (30.20)	2-020	2-023	2-026
21	1.70 (43.20)	1.562 (39.70)	1.257 (31.90)	1.500 (38.10)	2-023	2-028	2-030

*See note 5

SERIES 802 AQUAMOUSE