



SERIES 802, 3500 PSI SUBMERSIBLE AquaMouse Connectors and Cables



Hermetic Receptacle with PC Tails or Solder Cups and Rear Accessory Threads

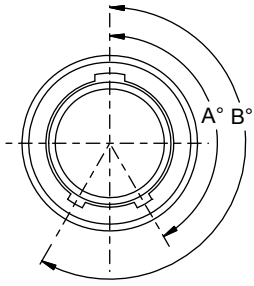


Series 802 Hermetic Receptacles feature gold plated nickle-iron alloy contacts and compression glass dielectric material. Stainless steel connector shell provides excellent corrosion protection. Viton® O-rings offer improved resistance to high temperature and harsh chemicals. Hermetically Sealed and 100% tested to meet 1×10^{-7} ccHe/sec @ 1 atm helium leak rate. Open face (unmated) pressure rating is 1000 PSI. When mated, Series 802 connectors withstand 3500 PSI hydrostatic pressure.

How To Order	
Sample Part Number	802-062 -07 Z1 6-7 P A
Series	802-062 = Hermetic Receptacle
Shell Style (See Table I)	-00 = Jam-Nut, Front Panel Mount -02 = Box Mount -07 = Jam-Nut, Rear Panel Mount
Shell Material and Finish	Z1 = Stainless Steel / Passivated ZL = Stainless Steel / Nickel Plated
Shell Size - Insert Arrangement	See Contact Arrangements page F-3
Contact Type	P = Pin Face S = Socket Face
Polarization (See Table II)	A = Normal B = Pos. B C = Pos. C D = Pos. D E = Pos. E F = Pos. F

Table I: Shell Style		
-00 Jam-Nut for Front Panel Mounting	-02 Square Flange	-07 Jam-Nut for Rear Panel Mounting

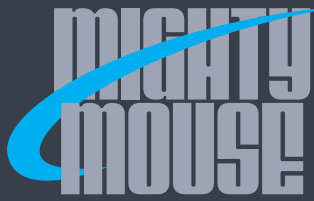
Table II: Key Positions		
Key Position	Key Rotation	
	A°	B°
A Normal	150°	210°
B	75°	210°
C	95°	230°
D	140°	275°
E	75°	275°
F	95°	210°



NOTES

- Mates to 802 series plugs
- Performance capabilities:
 - Hydrostatic pressure rating: 1000 PSI open face, 3500 PSI fully mated and properly molded
 - Insulation resistance (test): 5,000 megohms @ 500 VDC minimum
 - Dielectric withstanding voltage (test): See Table III
 - Hermeticity: 1×10^{-7} ccHe/sec leak rate at 1 ATM
- Parker O-ring compound V709-90 or equivalent
- For insert arrangements with #8 contacts, add .364 (9.25) to overall length
- See page F-8 for panel cut-out dimensions

Table III: DWV Rating	
Contact Sizes	Test Voltage
23	750 VAC
20HD	1000 VAC
16, 12, 8	1800 VAC
Combo	Refer to Section B

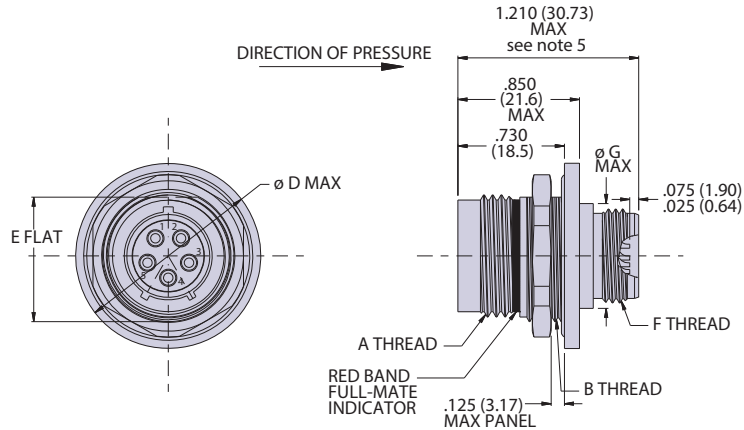


SERIES 802, 3500 PSI SUBMERSIBLE AquaMouse Connectors and Cables



Hermetic Receptacle with PC Tails or Solder Cups and Rear Accessory Threads

JAM-NUT, REAR PANEL MOUNT RECEPTACLE - SHELL STYLE 07

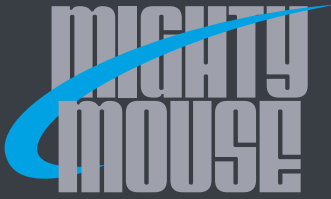


Dimensions

SHELL SIZE	A THREAD	B THREAD	Ø D	E FLAT	F THREAD UNEF-2A	N FLAT	P HEX	PISTON O-RING	FLANGE O-RING STYLE 07 See Note 4
5	.4375-28 UNEF	.5000-32 UN-2A	.885 (22.48)	.469 (11.91)/ .463 (11.76)	.250-32	0.281	0.500	2-009	2-015
6	.5625-20 UN	.6250-28 UN-2A	1.010 (25.65)	.594 (15.09)/ .588 (14.94)	.312-32	0.406	0.625	5-052	2-017
7	.6250-20 UN	.6875-28 UN-2A	1.072 (27.23)	.656 (16.66)/ .650 (16.51)	.438-28	0.469	0.688	2-012	2-019
8	.6875-20 UN	.7500-28 UN-2A	1.135 (28.83)	.729 (18.52)/ .725 (18.42)	.500-28	0.531	0.750	5-212	2-019
9	.7500-20 UNEF	.8125-28 UN-2A	1.195 (30.35)	.781 (19.84)/ .775 (19.68)	.562-24	0.594	0.812	2-014	2-020
10	.8125-20 UNEF	.8750-28 UN-2A	1.260 (32.00)	.830 (21.08)/ .824 (20.93)	.625-24	0.656	0.875	2-015	2-021
12	.8750-20 UNEF	.9375-28 UN-2A	1.322 (33.58)	.893 (22.68)/ .887 (22.53)	.688-24	0.719	0.938	2-016	2-022
14	1.0625-20 UN	1.1250-28 UN-2A	1.510 (38.35)	1.080 (27.43)/ 1.074 (27.28)	.875-20	0.893	1.125	2-019	2-025
15	1.1250-20 UN	1.1875-28 UN-2A	1.572 (39.93)	1.143 (29.03)/ 1.137 (28.88)	.938-20	0.955	1.188	2-020	2-026
19	1.3125-20 UN	1.3750-20 UN	1.790 (45.47)	1.345 (34.16)/ 1.341 (34.06)	1.063-18	1.235	1.438	2-022	2-029
21	1.4375-20 UN	1.5000-28 UN	1.940 (49.28)	1.467 (37.26)/ 1.463 (37.16)	1.250-18	1.257	1.500	2-023	2-030

Material/Finish

- Shell, jam-nut: SST / see part number development
- Insulator, hermetic: full glass
- Insulator, socket: high-grade rigid dielectric
- Seals, grommet: fluorosilicone
- Contact, hermetic: alloy 52/gold plate
- Contact, socket: copper alloy/gold plate
- O-rings: fluorocarbon (FKM)/none

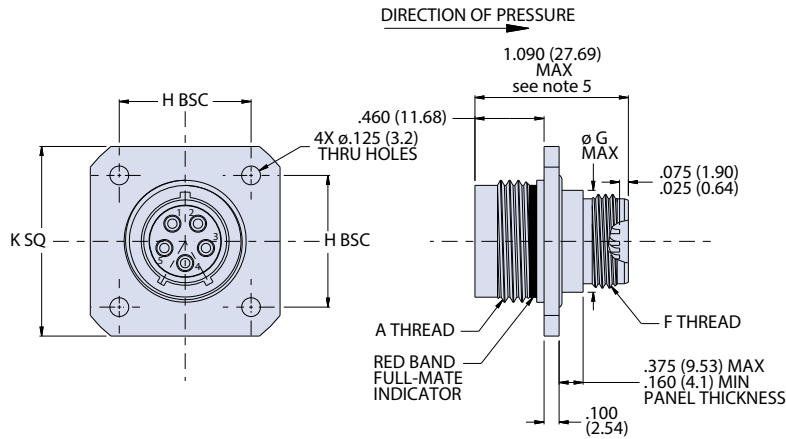


SERIES 802, 3500 PSI SUBMERSIBLE AquaMouse Connectors and Cables



Hermetic Receptacle with PC Tails or Solder Cups and Rear Accessory Threads

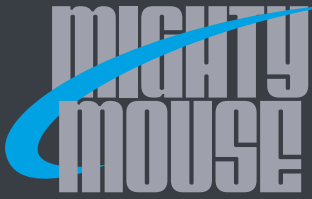
BOX MOUNT, RECEPTACLE - SHELL STYLE 02



Dimensions							
Shell Size	A Thread	F Thread UNEF-2A	ϕ G	H Dim	K Dim	Piston O-Ring	O-Ring Style 02 See Note 4
5	.4375-28 UNEF	.250-32	0.320	0.500	0.885	2-009	2-012
6	.5625-20 UN	.312-32	0.380	0.625	1.010	5-052	2-014
7	.6250-20 UN	.438-28	0.510	0.688	1.072	2-012	2-015
8	.6875-20 UN	.500-28	0.560	0.750	1.135	5-212	2-016
9	.7500-20 UNEF	.562-24	0.635	0.812	1.195	2-014	2-017
10	.8125-20 UNEF	.625-24	0.695	0.875	1.260	2-015	2-018
12	.8750-20 UNEF	.688-24	0.755	0.938	1.323	2-016	2-019
14	1.0625-20 UN	.875-20	0.945	1.125	1.510	2-019	2-022
15	1.1250-20 UN	.938-20	1.005	1.188	1.573	2-020	2-023
19	1.3125-20 UN	1.063-18	1.185	1.250	1.625	2-022	2-027
21	1.4375-20 UN	1.250-18	1.305	1.375	1.750	2-023	2-028

Material/Finish

- Shell: SST / see part number development
- Insulator, hermetic: full glass
- Insulator, socket: high-grade rigid dielectric
- Seals, grommet: fluorosilicone
- Contact, hermetic: alloy 52/gold plate
- Contact, socket: copper alloy/gold plate
- O-rings: fluorocarbon (FKM)/none

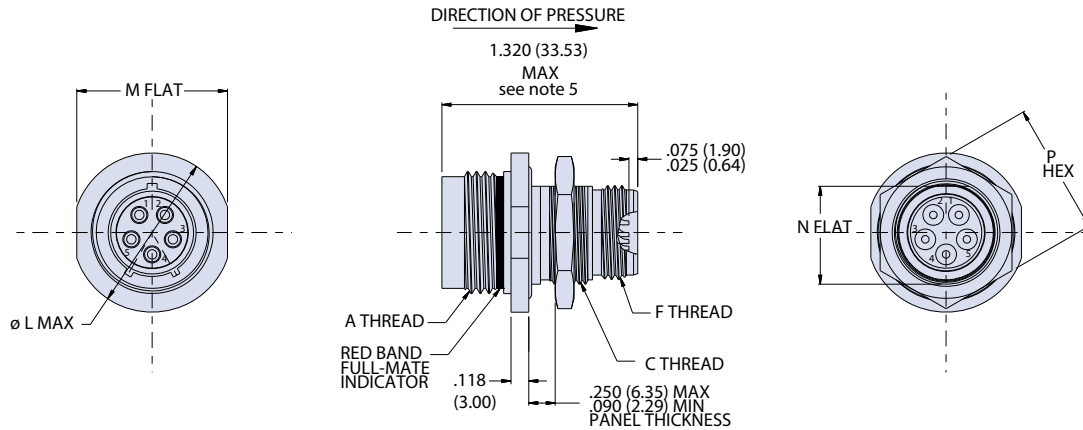


SERIES 802, 3500 PSI SUBMERSIBLE AquaMouse Connectors and Cables



Hermetic Receptacle with PC Tails or Solder Cups and Rear Accessory Threads

JAM-NUT, FRONT PANEL MOUNT RECEPTACLE - SHELL STYLE 00



Dimensions									
SHELL SIZE	A THREAD	C THREAD	F THREAD UNEF-2A	Ø L	M FLAT	N FLAT	P HEX	PISTON O-RING	O-RING STYLE 00 See Note 4
5	.4375-28 UNEF	.312-28 UN	.250-32	0.72	0.625	0.281	0.500	2-009	2-012
6	.5625-20 UN	.438-28 UN	.312-32	0.78	0.750	0.406	0.625	5-052	2-014
7	.6250-20 UN	.500-32 UN	.438-28	0.91	0.812	0.469	0.688	2-012	2-015
8	.6875-20 UN	.562-28 UN	.500-28	0.96	0.875	0.531	0.750	5-212	2-016
9	.7500-20 UNEF	.625-20 UN	.562-24	1.03	0.937	0.594	0.812	2-014	2-017
10	.8125-20 UNEF	.687-28 UN	.625-24	1.09	1.000	0.656	0.875	2-015	2-018
12	.8750-20 UNEF	.750-28 UN	.688-24	1.16	1.062	0.719	0.938	2-016	2-019
14	1.0625-20 UN	.938-28 UN	.875-20	1.34	1.250	0.893	1.125	2-019	2-022
15	1.1250-20 UN	1.000-28 UN	.938-20	1.41	1.312	0.955	1.188	2-020	2-023
19	1.3125-20 UN	1.250-28 UN	1.063-18	1.63	1.530	1.235	1.438	2-022	2-027
21	1.4375-20 UN	1.312-28 UN	1.250-18	1.70	1.562	1.257	1.500	2-023	2-028

Material/Finish

- Shell, jam-nut: SST / see part number development
- Insulator, hermetic: full glass
- Insulator, socket: high-grade rigid dielectric
- Seals, grommet: fluorosilicone
- Contact, hermetic: alloy 52/gold plate
- Contact, socket: copper alloy/gold plate
- O-rings: fluorocarbon (FKM)/none