

# SERIES 805 TRIPLE-START ACME THREAD Mighty Mouse Connectors and Cables



## PC Tail or Solder Cup Receptacle with Ground Pins

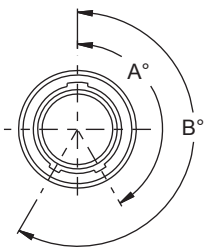


### Series 805 PC Tail or Solder Cup Contacts Receptacle with Ground Pins

Connector features copper alloy, gold plated PC tails or solder cup contacts. Ground pins are pressed into the shell body to provide a direct grounding path from the connector shell to the PCB board creating a common ground path for the connector, the panel it is mounted against, and printed circuit board. Modified double-start stub ACME mating thread for improved protection against cross-mating and thread damage. Two shell styles available — rear panel mount jam-nut or front/rear panel mount square flange. PC tail contacts for attachment to flex or rigid circuit boards. Choose solder cups for connections between devices, PCB's and discrete instruments

How To Order	
<b>Sample Part Number</b>	<b>805-054 -07 M 6-4 P A</b>
<b>Series</b>	<b>805-054</b> = PCB Receptacle with PC Tail or Solder Cup Contacts and Ground Pins
<b>Shell Style</b>	<b>-02</b> = Square Flange, Front or Rear Panel Mount <b>-07</b> = Jam-Nut, Rear Panel Mount
<b>Material and Finish</b>	<b>C</b> = Black Anodize <b>M</b> = Aluminum / Electroless Nickel <b>NF</b> = Aluminum / Cadmium with Olive Drab Chromate <b>ZN</b> = Aluminum / Zinc-Nickel Olive Drab over Electroless Nickel
<b>Shell Size - Insert Arrangement</b>	See Contact Arrangements page E-7
<b>Contact Type</b>	<b>P</b> = Pin, PC Tail <b>E</b> = Pin, Solder Cup <b>S</b> = Socket, PC Tail <b>F</b> = Socket, Solder Cup
<b>Polarization (See Table I)</b>	<b>A</b> = Normal <b>B</b> = Pos. B <b>C</b> = Pos. C <b>D</b> = Pos. D <b>E</b> = Pos. E <b>F</b> = Pos. F

Table I: Keyway Positions

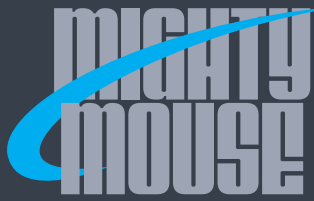


Position	A°	B°
<b>A</b>	150°	210°
<b>B</b>	75°	210°
<b>C</b>	95°	230°
<b>D</b>	140°	275°
<b>E</b>	75°	275°
<b>F</b>	95°	210°

### NOTES

1. Contacts are non removable, the connector is back potted
2. This receptacle connector mates with all quick coupling high density plug connectors with same polarization and opposite contact gender (804-101, 804-002)
3. See page J-11 for panel cut-out dimensions
4. Material / finish:
  - Shell, jam-nut: aluminum alloy or CRES / N.A.
  - Insulator: high-grade rigid dielectric
  - Interfacial seal, O-ring: fluorosilicone
  - Contact, ground pins: copper alloy / gold plate per ASTM B 488, Type II, Code C, Class 1.25 (.00005 minimum thickness), over a suitable underplate
  - Potting compound: epoxy / N.A.

SERIES 805 TRIPLE-START ACME THREAD

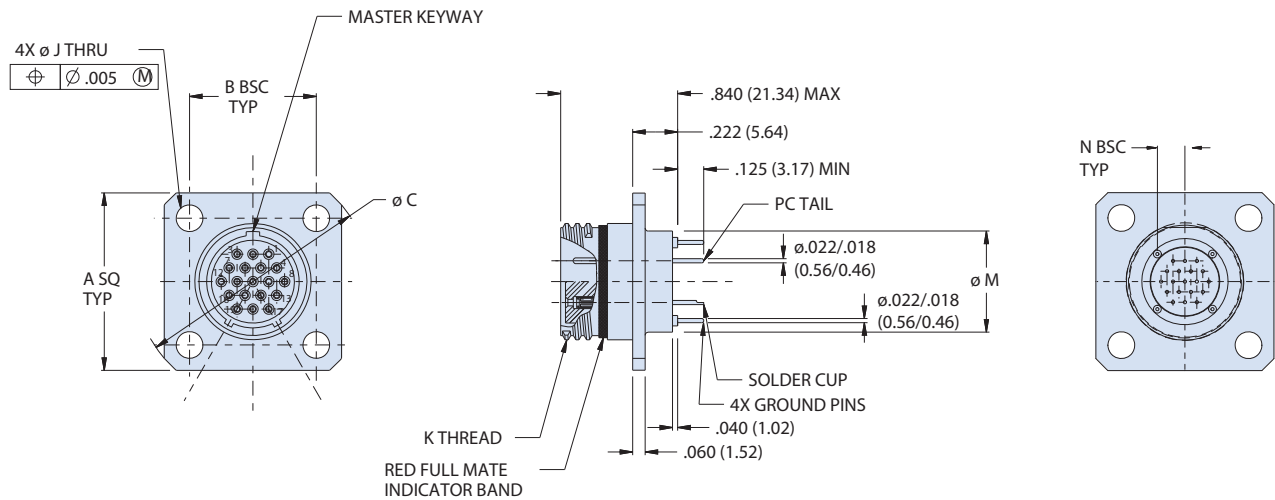


# SERIES 805 TRIPLE-START ACME THREAD Mighty Mouse Connectors and Cables



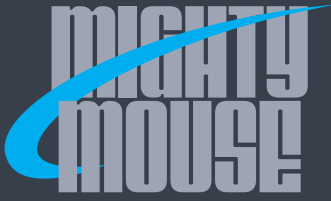
## PC Tail or Solder Cup Receptacle with Ground Pins

### JAM-NUT, REAR PANEL MOUNT RECEPTACLE - STYLE 07



DIMENSIONS							
SHELL SIZE	A SQ	B BSC	ø C	J HOLES	K THREAD	ø M	N BSC
8	0.850 (21.59)	0.660 (16.76)	1.150 (29.21)	0.096 (2.44) 0.091 (2.31)	.5000-.1P-.3L-TS	0.398	0.109
9	0.913 (23.19)	0.723 (18.36)	1.230 (31.24)		.5625-.1P-.3L-TS	0.486	0.147
10	0.975 (24.76)	0.785 (19.94)	1.330 (33.78)		.6250-.1P-.3L-TS	0.548	0.158
11	1.039 (26.39)	0.848 (21.54)	1.410 (35.81)		.6875-.1P-.3L-TS	0.606	0.179
12	1.099 (27.91)	0.909 (23.09)	1.500 (38.10)		.7500-.1P-.3L-TS	0.675	0.202
13	1.163 (29.54)	0.973 (24.71)	1.590 (40.39)		.8125-.1P-.3L-TS	0.716	0.222
15	1.288 (32.72)	1.058 (26.87)	1.750 (44.45)		.9375-.1P-.3L-TS	0.758	0.239
18	1.475 (37.47)	1.255 (31.88)	2.000 (50.80)	0.130 (3.30) 0.126 (3.20)	1.1250-.1P-.3L-TS	0.918	0.296
19	1.537 (39.04)	1.327 (33.71)	2.094 (53.19)		1.1875-.1P-.3L-TS	0.967	0.313
21	1.663 (42.24)	1.452 (36.88)	2.270 (57.66)		1.3125-.1P-.3L-TS	1.072	0.350
23	1.787 (45.39)	1.570 (39.88)	2.440 (61.98)		1.4375-.1P-.3L-TS	1.215	0.401

SERIES 805 TRIPLE-START ACME THREAD

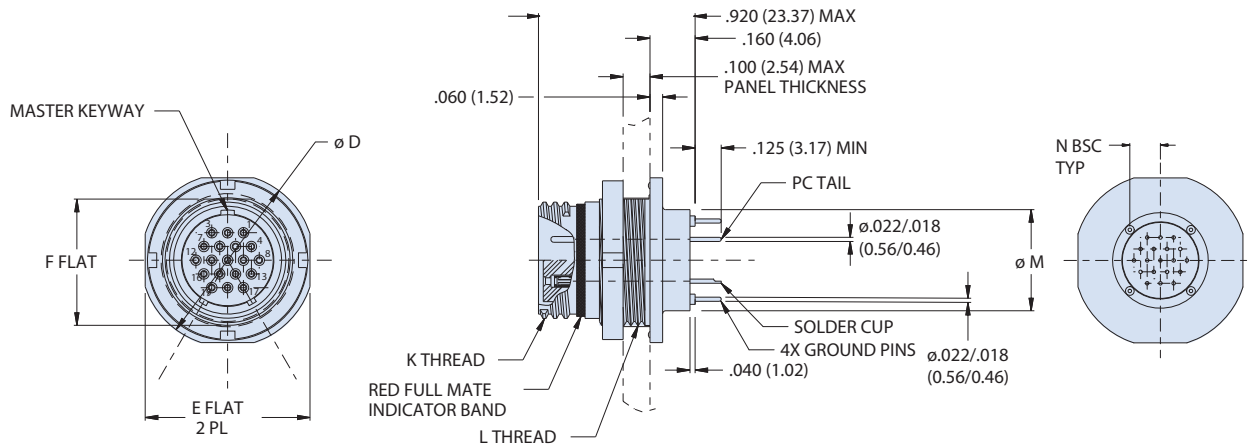


# SERIES 805 TRIPLE-START ACME THREAD Mighty Mouse Connectors and Cables



## PC Tail or Solder Cup Receptacle with Ground Pins

### JAM-NUT, REAR PANEL MOUNT RECEPTACLE - STYLE 07



#### DIMENSIONS

SHELL SIZE	$\phi D$	E FLAT	F FLAT	K THREAD	L THREAD	$\phi M$	N BSC
8	0.760 (19.30)	0.730 (18.54)	0.535 (13.59)	.5000-.1P-.3L-TS	.5625-.28 UNEF-2A	0.398	0.109
9	0.880 (22.35)	0.850 (21.59)	0.661 (16.79)	.5625-.1P-.3L-TS	.6875-.28 UN-2A	0.486	0.147
10	0.880 (22.35)	0.850 (21.59)	0.661 (16.79)	.6250-.1P-.3L-TS	.6875-.28 UN-2A	0.548	0.158
11	0.955 (24.26)	0.925 (23.50)	0.721 (18.31)	.6875-.1P-.3L-TS	.7500-.28 UN-2A	0.606	0.179
12	1.060 (26.92)	1.035 (26.29)	0.784 (19.91)	.7500-.1P-.3L-TS	.8125-.28 UN-2A	0.675	0.202
13	1.120 (28.45)	1.090 (27.69)	0.841 (21.36)	.8125-.1P-.3L-TS	.8750-.28 UN-2A	0.716	0.222
15	1.203 (30.56)	1.173 (29.79)	0.970 (24.64)	.9375-.1P-.3L-TS	1.0000-.28 UN-2A	0.758	0.239
18	1.389 (35.28)	1.359 (34.52)	1.147 (29.13)	1.1250-.1P-.3L-TS	1.1875-.28 UN-2A	0.918	0.296
19	1.450 (36.83)	1.420 (36.07)	1.221 (31.01)	1.1875-.1P-.3L-TS	1.2500-.28 UN-2A	0.967	0.313
21	1.580 (40.13)	1.550 (39.37)	1.348 (34.24)	1.3125-.1P-.3L-TS	1.3750-.28 UN-2A	1.072	0.350
23	1.705 (43.31)	1.675 (42.55)	1.470 (37.34)	1.4375-.1P-.3L-TS	1.5000-.28 UN-2A	1.215	0.401

SERIES 805 TRIPLE-START ACME THREAD