



# SERIES 805 TRIPLE-START ACME THREAD Mighty Mouse Connectors and Cables



## Code Red Lightweight, Hermetic Jam-Nut Receptacle with PC Tails or Solder Cup Contacts

**CODE RED**™

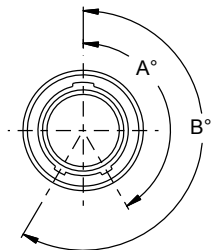


**Series 805 Code Red Hermetic Receptacles** feature solder cup contacts for direct wire attachment or PC tails for PC board termination. Signature encapsulant allows for use of standard gold plated, copper alloy pin and and socket contacts with better electrical performance over traditional hermetic nickel-iron contacts. Light weight, aluminum shells styles include square flange, solder mount, jam-nut, and weld mount. Connectors are 100% tested to meet  $1 \times 10^{-7}$  ccHe/sec at 1 atm helium leak rate. Contacts are non-removable, back potted, and parylene compatible. Consult factory for hybrid shielded contact / coax arrangements.

How To Order		805-140	ME	13-37	P	A
<b>Sample Part Number</b>						
<b>Series</b>	805-140-07 = Code Red Light Weight Hermetic Connector					
<b>Material and Finish</b>	ME = Aluminum Alloy / Nickel Plate					
<b>Shell Size - Insert Arrangement</b>	Shell Size: 8, 9, 10, 11, 12, 13, 15, 18, 19, 21, 23; See page J-6 for available insert arrangements*					
<b>Contact Type Jam-Nut Side</b>	P = Pin, PC Tail      E = Pin, Solder Cup S = Socket, PC Tail      F = Socket, Solder Cup					
<b>Polarization (See Table II)</b>	A = Normal   B = Pos. B   C = Pos. C   D = Pos. D   E = Pos. F   F = Pos. F					

\*Power and signal contacts only. For shielded contact applications, consult factory.

Table II: Key Positions

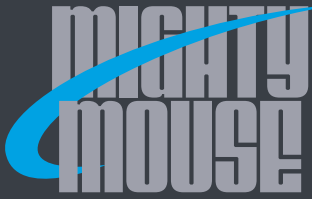


Position	A	B
A (Normal)	150°	210°
B	75°	210°
C	95°	230°
D	140°	275°
E	75°	275°
F	95°	210°

### NOTES

- This connector mates with all 805 plug connectors with same polarization and opposite contact gender 805-001, 805-002, and 805-061
- Connector shall not be used in liquid environment
- Temperature range: -65°C to +200°C
- Hermeticity is less than  $1 \times 10^{-7}$  ccHe/second at one atmosphere
- DWV: 750 VAC @ sea level
- IR: 5,000 megohms @ 500 VDC minimum, room temperature
- Sealing compound employed has been tested and meets all applicable performance requirements of MIL-DTL-38999/23. See Glenair test report GT-16-233
- See page J-11 for recommended panel cut-outs
- Material/Finish:
  - Shell, jam-nut: aluminum alloy / nickel plate
  - Insulator: high grade rigid electric
  - Elastomer: fluorosilicone
  - O-ring: butyl / N.A.
  - Contacts: copper alloy / gold plate
  - Seal compound: epoxy and silicone base encapsulants

SERIES 805 TRIPLE-START ACME THREAD

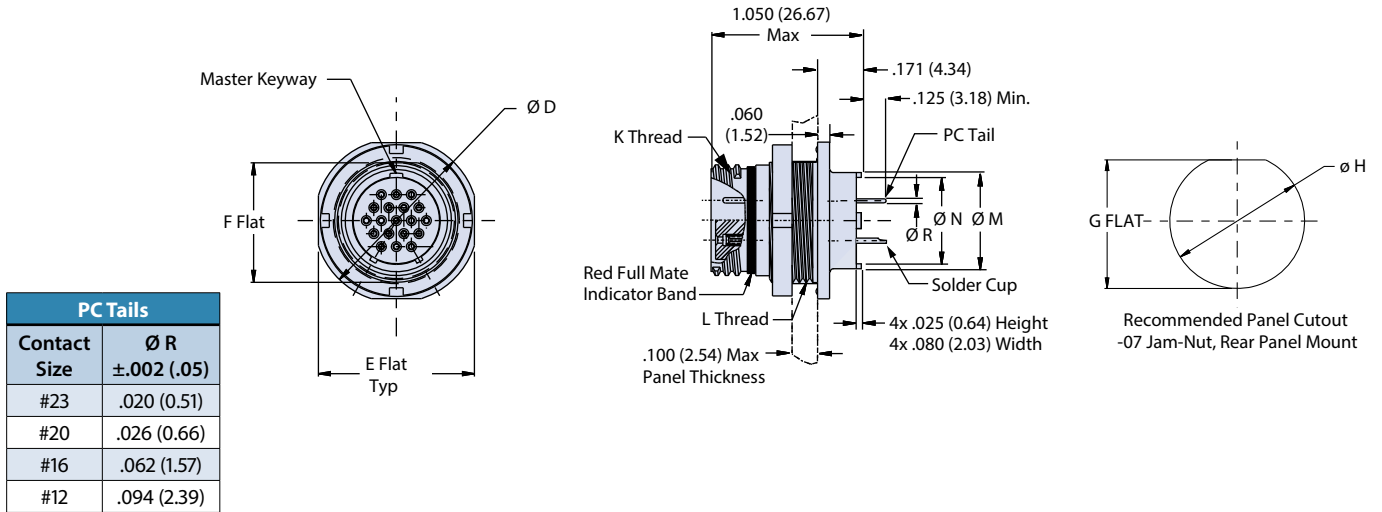


# SERIES 805 TRIPLE-START ACME THREAD Mighty Mouse Connectors and Cables



## Code Red Lightweight, Hermetic Jam-Nut Receptacle with PC Tails or Solder Cup Contacts

### JAM-NUT MOUNT RECEPTACLE - SHELL STYLE 07



Dimensions									
Shell Size	Ø D	E Flat	F Flat	K Thread	L Thread	Ø M	Ø N Min	Jam-Nut Cutout	
								G Flat	Ø H
8	.760 (19.30)	.730 (18.54)	.535 (13.59)	.5000 -1P-.3L-TS	.5625 -28 UN-2A	.330 (8.38)	.230 (5.84)	.545 (13.84) .541 (13.74)	.572 (14.53) .567 (14.40)
9	.880 (22.35)	.850 (21.59)	.661 (16.79)	.5625 -1P-.3L-TS	.6875 -28 UN-2A	.432 (10.97)	.322 (8.18)	.671 (17.04) .667 (16.94)	.698 (17.73) .693 (17.60)
10	.880 (22.35)	.850 (21.59)	.661 (16.79)	.6250 -1P-.3L-TS	.6875 -28 UN-2A	.493 (12.52)	.386 (9.80)	.671 (17.04) .667 (16.94)	.698 (17.73) .693 (17.60)
11	.955 (24.26)	.925 (23.50)	.721 (18.31)	.6875 -1P-.3L-TS	.7500 -28 UN-2A	.553 (14.05)	.442 (11.23)	.731 (18.57) .727 (18.47)	.760 (19.30) .755 (19.18)
12	1.060 (26.92)	1.035 (26.29)	.784 (19.91)	.7500 -1P-.3L-TS	.8125 -28 UN-2A	.620 (15.75)	.513 (13.03)	.794 (20.17) .790 (20.07)	.822 (20.88) .817 (20.75)
13	1.120 (28.45)	1.090 (27.69)	.843 (21.41)	.8125 -1P-.3L-TS	.8750 -28 UN-2A	.661 (16.79)	.554 (14.07)	.853 (21.67) .849 (21.56)	.885 (22.48) .880 (22.35)
15	1.203 (30.56)	1.173 (29.79)	.970 (24.64)	.9375 -1P-.3L-TS	1.0000 -28 UN-2A	.703 (17.86)	.594 (15.09)	.980 (24.89) .976 (24.79)	1.3010 (33.05) 1.005 (25.53)
18	1.389 (35.28)	1.359 (34.52)	1.147 (29.13)	1.1250 -1P-.3L-TS	1.1875 -28 UN-2A	.863 (21.92)	.750 (19.05)	1.157 (29.39) 1.153 (29.29)	1.198 (30.43) 1.193 (30.30)
19	1.450 (36.83)	1.420 (36.07)	1.221 (31.01)	1.1875 -1P-.3L-TS	1.2500 -28 UN-2A	.912 (23.16)	.805 (20.45)	1.231 (31.27) 1.227 (31.17)	1.260 (32.00) 1.255 (31.88)
21	1.58 (40.13)	1.550 (39.37)	1.350 (34.29)	1.3125 -1P-.3L-TS	1.3750 -28 UN-2A	1.017 (25.83)	.910 (23.11)	1.360 (34.54) 1.356 (34.44)	1.385 (35.18) 1.380 (35.05)
23	1.705 (43.31)	1.675 (42.55)	1.470 (37.34)	1.4375 -1P-.3L-TS	1.5000 -28 UN-2A	1.162 (29.51)	1.050 (26.67)	1.480 (37.59) 1.476 (37.49)	1.510 (38.35) 1.505 (38.23)

SERIES 805 TRIPLE-START ACME THREAD