



Features

- Glass-to-metal seal
- Non-removable solder cup or PC tail contacts
- High density #20HD and #22HD arrangements for reduced size and weight
- Aerospace-grade materials, construction

Specifications

- Operating temperature: -65°C to +200°C
- Leak Rate: 1E-7 cm³/s at 1 ATM pressure differential
- Dielectric withstanding voltage
#20HD layouts: 1800 Vac
#22HD layouts: 1300 Vac
- Current rating
#20HD contacts 5 A max.
#22HD contacts 3 A max.
- Shell-to-Shell Conductivity: 10 mV max.
- Mating durability: 500 cycles
- Mechanical shock: EIA-364-27, 300g.
- Vibration (sine): MIL-DTL-38999M, 60g.
- Vibration (random) EIA-364-28 Condition VI, Letter J, 43.92 Grms, +200°C
- High Impact shock: MIL-S-901 Grade A
- Indirect Lightning Strike: EIA-364-75 Type B Level 2 10kA Peak

Connector Construction

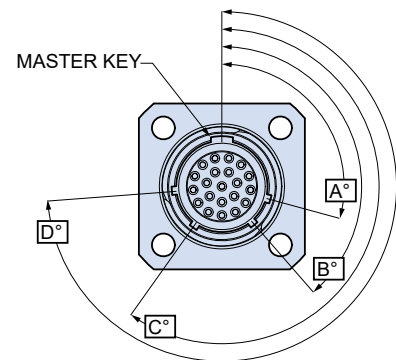
- Shell and jam-nut: 316L CRES
- Shell (-13 only): 304L CRES
- Hermetic contacts: nickel-iron alloy, gold plated
- Socket contacts: copper alloy, gold plated
- Insulator, hermetic: vitreous glass
- Interfacial seal, peripheral seal, O-ring: fluorosilicone
- Insulator, socket: high grade rigid dielectric

Series 806 hermetic receptacles feature 304L stainless steel shells and glass-to-metal seals. Rated for -65°C to +200°C temperature range. Ultraminiature Series 806 connectors save size and weight compared to legacy aerospace-grade hermetic connectors. These high performance, parylene-compatible connectors are suitable for unpressurized aircraft areas subject to vibration, moisture, and temperature extremes. Equipped with low-profile, non-threaded standoff. For ultra-light, aluminum hermetic performance, see part no. 806-028.

How To Order	
SAMPLE PART NUMBER	806-025 -07 Z1 8-3 C A
Product	806-025 = Hermetic Receptacle
Mounting Type	02 = Square Flange 07 = Jam Nut 13 = Weld Mount
Shell Finish	Z1 = Passivated ZL = Nickel Plated
Arrangement Number (Shell Size - Insert Arr.)	See Table 1
Contact Type	C = Pin, PC Terminal D = Socket, PC Terminal P = Pin, Solder Cup S = Socket, Solder Cup
Polarizing Position (Table 2)	A B C D E F

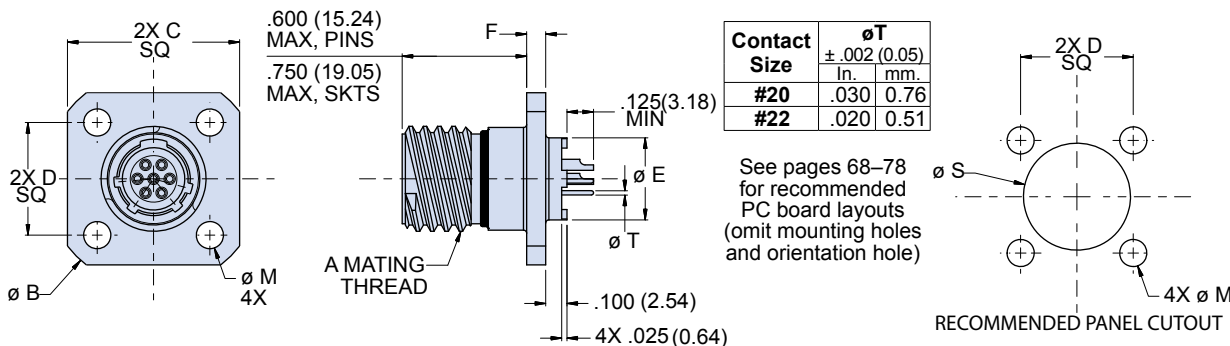
No. of Contacts	#20HD	#22HD	Arr.	Shell Size
3	●		8-3	8
4		●	8-4	8
5	●		9-5	9
7		●	8-7	8
8	●		10-8	10
10	●		11-10	11
11		●	9-11	9
15		●	10-15	10
15	●		12-15	12
19		●	11-19	11
20	●		14-20	14
26		●	12-26	12
31	●		16-31	16
39		●	14-39	14
41	●		18-41	18
55	●		20-55	20
60		●	16-60	16
69	●		22-69	22
85		●	18-85	18
92	●		24-92	24
110		●	20-110	20
140		●	22-140	22
186		●	24-186	24

Position	A°	B°	C°	D°
A	105	140	215	265
B	102	170	248	305
C	80	150	230	295
D	68	140	205	275
E	64	155	234	304
F	72	120	200	298



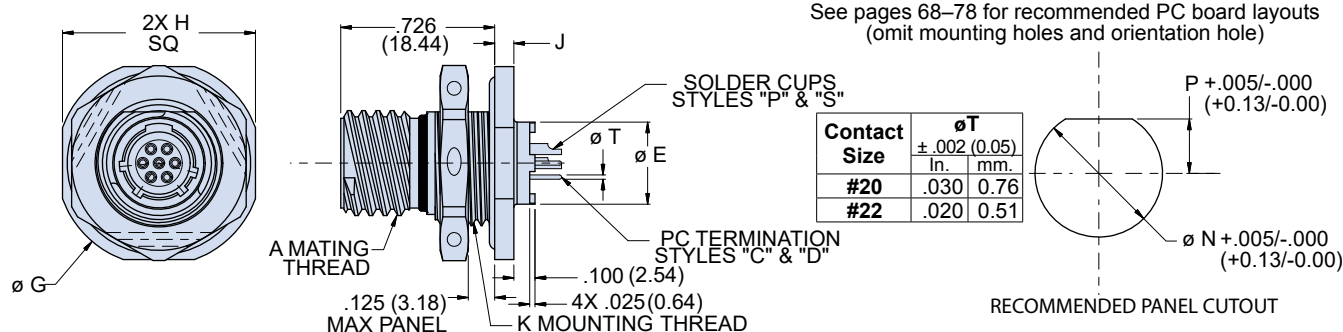


806-025-02 Square Flange Receptacle Dimensions



Shell Size	A Mating Thread	ϕB Max.		C Max		D		ϕE		F Max		ϕM		ϕS	
		In.	mm.	In.	mm.	In.	mm.	In.	mm.	In.	mm.	In.	mm.	In.	mm.
8	.5000-.067P-.2L-TS-2A	1.040	26.42	.822	20.88	.531	13.49	.387	9.83	.100	2.54	.128	3.25	.509	12.93
9	.5625-.067P-.2L-TS-2A	1.130	28.70	.885	22.48	.594	15.09	.468	11.89	.100	2.54	.128	3.25	.577	14.66
10	.6250-.067P-.2L-TS-2A	1.174	29.82	.913	23.19	.625	15.88	.546	13.87	.100	2.54	.128	3.25	.645	16.38
11	.6875-.067P-.2L-TS-2A	1.240	31.50	.960	24.38	.670	17.02	.586	14.88	.100	2.54	.128	3.25	.712	18.08
12	.7500-.067P-.2L-TS-2A	1.354	34.39	1.040	26.42	.765	19.43	.663	16.84	.100	2.54	.128	3.25	.768	19.51
14	.8750-.067P-.2L-TS-2A	1.510	38.35	1.133	28.78	.859	21.82	.743	18.87	.100	2.54	.128	3.25	.890	22.61
16	1.0000-.067P-.2L-TS-2A	1.620	41.15	1.227	31.17	.938	23.83	.842	21.39	.100	2.54	.128	3.25	1.015	25.78
18	1.1250-.067P-.2L-TS-2A	1.784	45.31	1.320	33.53	1.016	25.81	.959	24.36	.100	2.54	.128	3.25	1.125	28.58
20	1.2500-.067P-.2L-TS-2A	1.910	48.51	1.444	36.68	1.109	28.17	1.105	28.07	.125	3.18	.154	3.91	1.275	32.39
22	1.3750-.067P-.2L-TS-2A	2.083	52.91	1.570	39.88	1.203	30.56	1.215	30.86	.125	3.18	.154	3.91	1.400	36.56
24	1.5000-.067P-.2L-TS-2A	2.200	55.88	1.696	43.08	1.312	33.32	1.335	33.91	.125	3.18	.154	3.91	1.525	38.74

806-025-07 Jam Nut Receptacle Dimensions



Shell Size	A Mating Thread	ϕE		G Max		H Max		J Max		K Thread	ϕN		P	
		In.	mm.	In.	mm.	In.	mm.	In.	mm.		In.	mm.	In.	mm.
8	.5000-.067P-.2L-TS-2A	.387	9.83	.980	24.69	.920	23.37	.100	2.54	M15x1.0-6g-0.100R	.601	15.27	.256	6.50
9	.5625-.067P-.2L-TS-2A	.468	11.89	1.040	26.42	.980	24.89	.100	2.54	M16x1.0-6g-0.100R	.640	16.26	.287	7.29
10	.6250-.067P-.2L-TS-2A	.546	13.87	1.110	28.19	1.050	26.67	.100	2.54	M18x1.0-6g-0.100R	.719	18.26	.318	8.08
11	.6875-.067P-.2L-TS-2A	.586	14.88	1.160	29.46	1.110	28.19	.100	2.54	M19x1.0-6g-0.100R	.759	19.28	.350	8.89
12	.7500-.067P-.2L-TS-2A	.663	16.84	1.230	31.24	1.170	29.72	.100	2.54	M21x1.0-6g-0.100R	.837	21.26	.381	9.67
14	.8750-.067P-.2L-TS-2A	.743	18.87	1.360	34.54	1.320	33.53	.100	2.54	M24x1.0-6g-0.100R	.955	24.26	.443	11.25
16	1.0000-.067P-.2L-TS-2A	.842	21.39	1.515	38.48	1.444	36.68	.100	2.54	M27x1.0-6g-0.100R	1.073	27.25	.505	12.83
18	1.1250-.067P-.2L-TS-2A	.959	24.36	1.610	40.89	1.570	39.88	.100	2.54	M30x1.0-6g-0.100R	1.192	30.28	.568	14.43
20	1.2500-.067P-.2L-TS-2A	1.105	28.07	1.850	46.99	1.760	44.70	.128	3.25	M34x1.0-6g-0.100R	1.349	34.26	.630	16.00
22	1.3750-.067P-.2L-TS-2A	1.215	30.86	2.010	51.05	1.913	48.59	.128	3.25	M37x1.0-6g-0.100R	1.467	37.26	.693	17.60
24	1.5000-.067P-.2L-TS-2A	1.335	33.91	2.195	55.75	2.070	52.58	.128	3.25	M41x1.0-6g-0.100R	1.624	41.25	.755	19.18

