



Series 803 Mighty Mouse 1/4 Turn Bayonet Coupling Hermetic Receptacle, PC Tail and Solder Cup

803-006 Ordering Information



Series 803 Hermetic Receptacles feature 304L stainless steel shells and fused glass insulators for a hermeticity of 1×10^{-7} ccHe/second at 1 atmosphere vacuum. Select PC tail contacts for attachment to flexible ribbon or rigid board or chose solder cup contacts for direct wire attachment. Hermetic contacts are gold-plated iron alloy. Jam-nut rear panel mount and flange mount, front or rear panel mount shell styles are available. 1000 PSI Pressure Rating in open face (unmated) condition.

How To Order						
Sample Part Number	803-006	-07	Z1	9-19	P	N
Series	803-006 = Hermetic Receptacle, Solder Cup or PCB Contacts					
Shell Style (See Table I)	-02 = Flange Mount -07 = Jam-Nut					
Shell Material and Finish	Z1 = Stainless Steel / Passivated; RoHS Compliant ZL = Stainless Steel/Nickel Plated					
Shell Size - Insert Arrangement	See Contact Arrangements Page F-2					
Contact Type	C = Pin, PC Tail D = Socket, PC Tail		P = Pin, Solder Cup S = Socket, Solder Cup			
Polarization (See Table II)	N = Normal X = Pos. X Y = Pos. y Z = Pos. Z					

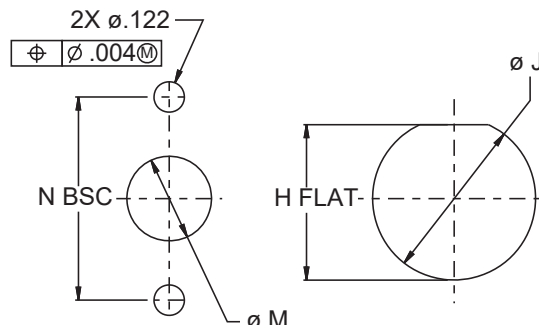
Table I: Shell Style	
-02 Flange Mount	-07 Jam-Nut

Table II: Keyway Polarization			
Pos.	A°	B°	
N	150°	210°	
X	75°	210°	
Y	95°	230°	
Z	140°	275°	

DWV Rating	
Contact Sizes	Test Voltage
23	750 Vac
20 HD	1000 Vac
16, 12, 8	1800 Vac

NOTES
1. Hermeticity: 1×10^{-7} ccHe/sec at 1 ATM

Panel Cut-Out Dimensions				
Shell Size	Ø M	N Bsc.	H Flat ± .002 (.05)	Ø B +.005 (+ 0.13) -.000 (-.00)
5	.382 (9.70)	.513 (13.03)	.355 (9.02)	.380 (9.65)
6	.445 (11.30)	.598 (15.19)	.415 (10.54)	.442 (11.23)
7	.520 (13.21)	.708 (17.98)	.541 (13.74)	.577 (14.66) .567 (14.40)
8	.592 (15.04)	.964 (24.49)	.601 (15.27)	.630 (16.00)
9	.645 (16.38)	1.017 (25.83)	.601 (15.27)	.630 (16.00)
10	.726 (18.44)	1.101 (27.97)	.729 (18.52)	.755 (19.18)
12	.832 (21.13)	1.204 (30.58)	.850 (21.59)	.880 (22.35)
14	.950 (24.13)	1.280 (32.51)	1.029 (26.14)	1.067 (27.10)



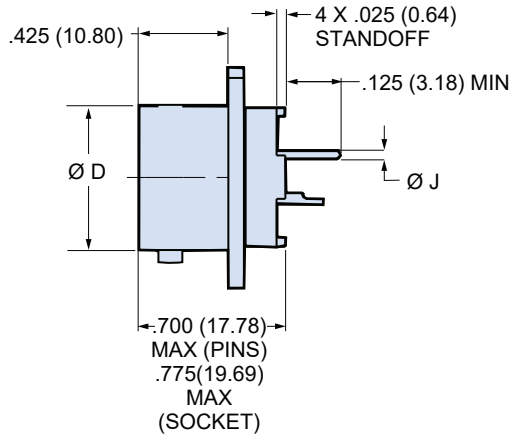
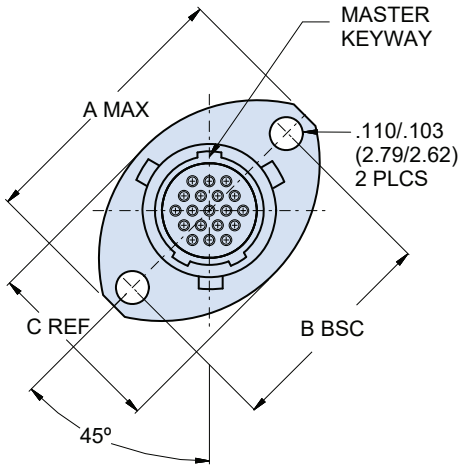
Dimensions in Inches (millimeters) are subject to change without notice.

Series 803 Mighty Mouse ¼ Turn Bayonet Coupling
Hermetic Receptacle, PC Tail and Solder Cup
803-006-02 and 803-006-07 Dimensions



Series 803

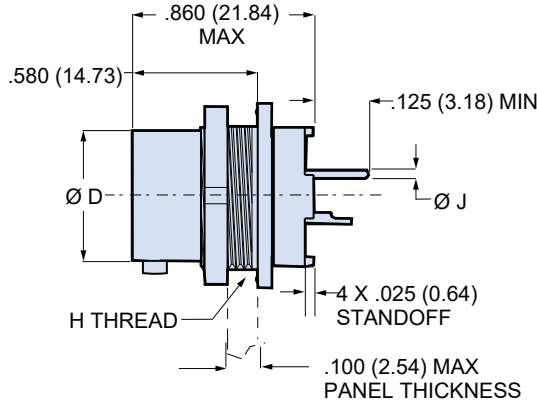
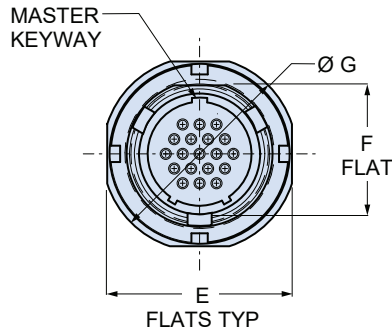
Flange mount, front or rear panel mount receptacle - shell style 02



Material and Finish

- Shell: SST / see how to order table
- Insulator, hermetic: fused glass / N.A.
- Insulator, socket: high-grade rigid dielectric / N.A.
- Seals: fluorosilicone/N.A.
- Contact, hermetic: alloy 52 / gold plate
- Contact: copper alloy / gold plate
- Potting compound: epoxy

Jam-nut rear panel mount receptacle - shell style 07



Material and Finish

- Shell, jam-nut: SST / see how to order table
- Insulator, hermetic: fused glass / N.A.
- Insulator, socket: high-grade rigid dielectric / N.A.
- Seals: fluorosilicone/N.A.
- Contact, hermetic: alloy 52 / gold plate
- Contact: copper alloy / gold plate
- Potting compound: epoxy

Dimensions									
Shell Size	A Max.	B Bsc.	C Ref.	Ø D	E Flats	F Flat	Ø G	H Thread	Ø J Tail Dia.
5	.703 (17.86)	.513 (13.03)	.460 (11.68)	.300 (7.62)	.545 (13.84)	.350 (8.89)	.575 (14.60)	.3750-32 UNEF-2A	#23 .018/.022 (0.46/0.56)
6	.788 (20.02)	.598 (15.19)	.522 (13.26)	.362 (9.19)	.595 (15.11)	.410 (10.41)	.635 (16.13)	.4375-28 UNEF-2A	#20 .024/.028 (0.61/0.71)
7	.890 (22.61)	.708 (17.98)	.590 (14.99)	.436 (11.07)	.723 (18.36)	.536 (13.61)	.755 (19.18)	.5625-32 UN-2A	#16 .060/.064 (1.52/1.63)
8	1.154 (29.31)	.964 (24.49)	.668 (16.97)	.508 (12.90)	.790 (20.07)	.593 (15.06)	.830 (21.08)	.6250-32 UN-2A	#12 .092/.096 (2.34/2.44)
9	1.207 (30.66)	1.017 (25.83)	.721 (18.31)	.561 (14.25)	.790 (20.07)	.593 (15.06)	.830 (21.08)	.6250-28 UN-2A	
10	1.291 (32.79)	1.101 (27.97)	.795 (20.19)	.635 (16.13)	.925 (23.50)	.721 (18.31)	.955 (24.26)	.7500-28 UN-2A	
12	1.394 (35.41)	1.204 (30.58)	.874 (22.20)	.714 (18.14)	1.044 (26.52)	.845 (21.46)	1.078 (27.38)	.8750-28 UN-2A	
14	1.545 (39.24)	1.280 (32.51)	1.050 (26.67)	.865 (21.97)	1.230 (31.24)	1.022 (25.96)	1.264 (32.11)	1.0625-20 UN-2A	

Dimensions in Inches (millimeters) are subject to change without notice.