



## Series 804 Push-Pull Mighty Mouse Receptacle Connector

### 804-003 and 804-004 Ordering Information

**In-Line****Rear Panel Mount Jam Nut****Front Panel Mount Jam Nut****Integral Band Platform**

for direct attachment of a cable shield. Install a boot, or overmold directly onto the band platform. Or, choose an accessory thread for attaching strain reliefs and backshells.

**Watertight, Shielded**

O-ring inside the receptacle provides a dynamic seal when mated. Gold-plated spring provides secure mechanical retention and low shell-to-shell resistance for excellent EMI shielding.

**Three Shell Styles**

Jam nut with O-ring for front or rear panel mounting, or in-line receptacles for free-hanging cables.

**How To Order**

Sample Part Number	804-003	-01	M	7-10	P
<b>Series (See Table I)</b>	804-003 = Receptacle with Banding Platform 804-004 = Receptacle with Accessory Thread				
<b>Shell Style (See Table II)</b>	-00 = Front Panel Mount Jam Nut (See Table V) -01 = In-Line -07 = Rear Panel Mount Jam Nut (See Table IV)				
<b>Shell Material and Finish</b>	C = Aluminum / Black Anodize (Non-Conductive); RoHS Compliant M = Aluminum / Electroless Nickel; RoHS Compliant MT = Aluminum / Nickel-PTFE RoHS Compliant NF = Aluminum / Cadmium with Olive Drab Chromate ZNU = Aluminum / Zinc-Nickel with Black Chromate Z1 = Stainless Steel / Passivated; RoHS Compliant				
<b>Shell Size - Insert Arrangement</b>	See Contact Arrangements Page G-2				
<b>Contact Type</b>	<b>Connector supplied without contacts</b> A = Pin, Crimp B = Socket, Crimp Connectors with contacts are supplied with signal and/or power crimp contacts. These contacts are not installed. Coaxial contacts and non-standard signal contacts are ordered separately.	<b>Connector supplied Crimp contacts</b> P = Pin Connector S = Socket Connector	<b>Connector Supplied with 30 AWG Crimp Barrel</b> G = Pin, Crimp H = Socket, Crimp		
<b>Shell Key Positions (See Table III)</b>	Omit = Single Master Key    A = Normal    B = Pos. B    C = Pos. C    D = Pos. D    E = Pos. E    F = Pos. F				

G

**Table I: Series**

<b>804-003</b> Receptacle with Banding Platform	<b>804-004</b> Receptacle with Accessory Thread

**Table II: Shell Style**

<b>-00</b> Jam Nut for Front Panel Mounting	<b>-01</b> In-Line for Free-Hanging Cable	<b>-07</b> Jam Nut for Rear Panel Mounting

Dimensions in Inches (millimeters) are subject to change without notice.

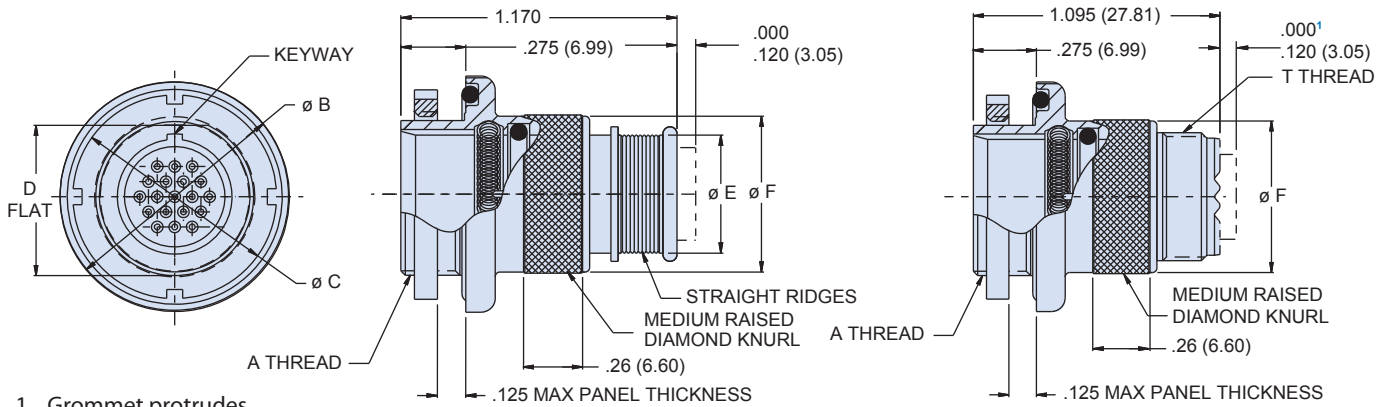
# Series 804 Push-Pull Mighty Mouse Receptacle Connector

## 804-004-07 and 804-003-07 Dimensions



Series 804

### Jam nut, rear panel mount receptacle - shell style 07



- Grommet protrudes for power/combo arrangements

**Integral Band Platform**  
804-003-07

**Accessory Thread**  
804-004-07

Dimensions												
Shell Size	A Thread	Ø B		Ø C		D Flat		Ø E		Ø F		T Threads
		In.	mm.	In.	mm.	In.	mm.	In.	mm.	In.	mm.	
5	.4375-32 UN-2A	.790	20.07	.562	14.27	.415	10.54	.246	6.25	.450	11.43	.2500-32 UNEF-2A
6	.5000-32 UN-2A	.830	21.08	.625	15.87	.467	14.40	.286	7.26	.480	12.19	.3125-32 UNEF-2A
7	.6250-28 UN-2A	.900	22.86	.750	19.05	.594	15.09	.390	9.91	.580	14.73	.4375-28 UNEF-2A
8	.6250-28 UN-2A	.900	22.86	.750	19.05	.594	15.09	.442	11.23	.603	15.32	.5000-28 UNEF-2A
9	.6875-28 UN-2A	1.000	25.40	.812	20.62	.655	16.64	.500	12.70	.695	17.65	.5625-24 UNEF-2A
10	.7500-28 UN-2A	1.085	27.48	.875	22.22	.721	18.31	.564	14.33	.735	18.67	.6250-24 UNEF-2A
11	.8125-28 UN-2A	1.135	28.83	.938	23.83	.788	20.02	.608	15.44	.810	20.57	.6875-24 UNEF-2A
12	.8750-28 UN-2A	1.180	29.97	1.000	25.40	.843	21.41	.650	16.51	.880	22.35	.6875-24 UNEF-2A
14	1.0000-28 UN-2A	1.325	33.66	1.125	28.57	.968	24.59	.805	20.45	1.010	25.65	.9375-20 UNEF-2A

Table III: Alternate Key Positions

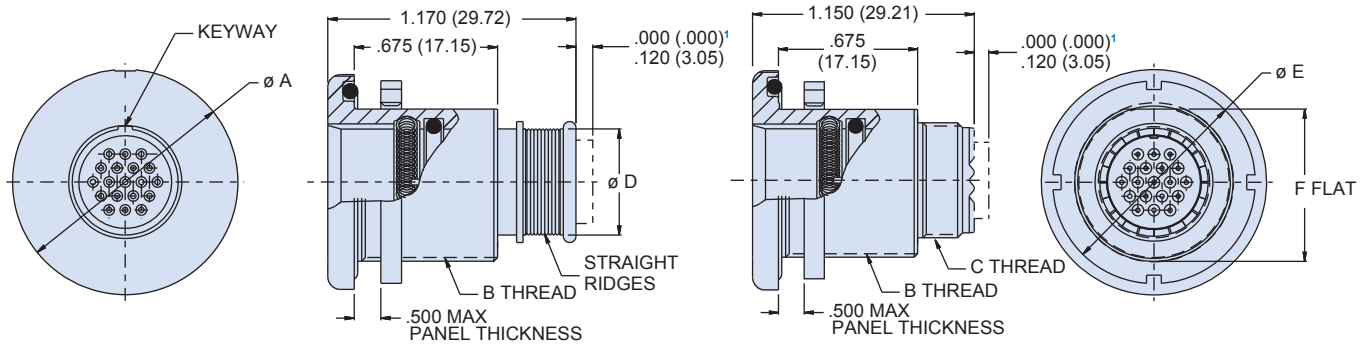
Pos.	A°	B°
A	150°	210°
B	75°	210°
C	95°	230°
D	140°	275°
E	75°	275°
F	95°	210°

Rear Mount Jam Nut Panel Cutout

Shell Size	A Flat		Ø B	
	In. ± .002	mm. ± 0.05	In. ± .005	mm. ± 0.13
5	.427/.423	10.85/10.74	.448	11.38
6	.479/.475	12.17/12.07	.510	12.95
7	.606/.602	15.39/15.29	.635	16.13
8	.606/.602	15.39/15.29	.635	16.13
9	.667/.663	16.94/16.84	.695	17.65
10	.734/.729	18.64/18.52	.760	19.30
11	.801/.796	20.35/20.22	.822	20.88
12	.855/.851	21.72/21.62	.885	22.48
14	.980/.976	24.89/24.79	1.010	25.65

Dimensions in Inches (millimeters) are subject to change without notice.

### Jam nut, front panel mount receptacle - shell style 00



1. Grommet protrudes for power/combo arrangements

**Integral Band Platform**  
804-003-00

**Accessory Thread**  
804-004-00

Shell Size	Dimensions									
	Ø A		B Threads	C Threads	Ø D		Ø E		F Flat	
	In.	mm.			In.	mm.	In.	mm.	In.	mm.
5	.830	21.08	.5000-32 UN-2A	.2500-32 UNEF-2A	.246	6.25	.625	15.87	.470	11.94
6	.885	22.48	.5625-32 UN-2A	.3125-32 UNEF-2A	.286	7.26	.688	17.47	.530	13.46
7	.995	25.27	.6875-28 UN-2A	.4375-28 UNEF-2A	.390	9.91	.812	20.62	.663	16.84
8	.995	25.27	.6875-28 UN-2A	.5000-28 UNEF-2A	.442	11.23	.812	20.62	.663	16.84
9	1.075	27.31	.7500-28 UN-2A	.5625-24 UNEF-2A	.500	12.70	.875	22.22	.720	18.29
10	1.140	28.95	.8125-28 UN-2A	.6250-24 UNEF-2A	.564	14.33	.938	23.82	.788	20.02
11	1.190	30.23	.8750-28 UN-2A	.6875-24 UNEF-2A	.608	15.44	1.000	25.4	.843	21.41
12	1.340	34.04	1.0000-28 UN-2A	.6875-24 UNEF-2A	.650	16.51	1.125	28.57	.970	24.64
14	1.390	35.31	1.0620-20 UN-2A	.9375-20 UNEF-2A	.805	20.45	1.162	29.51	1.020	25.91

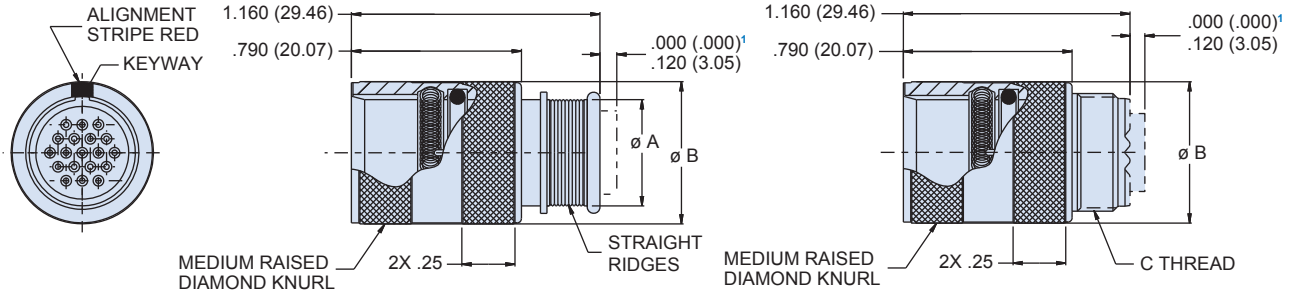
Front Mount Jam Nut Panel Cutout				
Shell Size	A Flat		Ø B	
	In. ± .002	mm. ± 0.05	In. ± .005	mm. ± 0.13
5	.482 .478	12.24 12.14	.510	12.95
6	.542 .538	13.77 13.67	.575	14.61
7	.676 .671	17.17 17.04	.698	17.73
8	.676 .671	17.17 17.04	.698	17.73
9	.732 .728	18.59 18.49	.760	19.30
10	.801 .796	20.35 20.22	.822	20.88
11	.855 .851	21.72 21.62	.885	22.48
12	.982 .978	24.94 14.84	1.010	25.65
14	1.032 1.028	26.21 26.11	1.075	27.31

Dimensions in Inches (millimeters) are subject to change without notice.

Series 804 Push-Pull Mighty Mouse  
Receptacle Connector  
804-004-01 and 804-003-01 Dimensions



**Cable receptacle - shell style 01**



1. Grommet protrudes for power/combo arrangements

**Integral Band Platform**  
804-003-01

**Accessory Thread**  
804-004-01

Dimensions					
Shell Size	Ø A		Ø B		C Threads
	In.	mm.	In.	mm.	
5	.246	6.25	.450	11.43	.2500-32 UNEF-2A
6	.286	7.26	.480	12.19	.3125-32 UNEF-2A
7	.390	9.91	.580	14.73	.4375-28 UNEF-2A
8	.442	11.23	.603	15.32	.5000-28 UNEF-2A
9	.500	12.70	.695	17.65	.5625-24 UNEF-2A
10	.564	14.33	.735	18.67	.6250-24 UNEF-2A
11	.608	15.44	.810	20.57	.6875-24 UNEF-2A
12	.650	16.51	.880	22.35	.6875-24 UNEF-2A
14	.805	20.45	1.010	25.65	.9375-20 UNEF-2A

Dimensions in Inches (millimeters) are subject to change without notice.

