

Series 804 Push-Pull Mighty Mouse Hermetic Receptacle

804-006 Ordering Information



Series 804



Series 804 Hermetic Receptacles

feature 304L stainless steel shells, fused vitreous glass insulators and gold-plated Alloy 52 iron alloy contacts.

1 X 10⁻⁷ cc/second

maximum helium leak rate when tested at 1 atmosphere vacuum.

Two Shell Styles are available:

Style 00 for front panel mounting
Style 07 for rear panel mounting.

"Push-Pull" Quick-Disconnect

Canted coil spring securely retains mating plug connector and provides low shell-to-shell resistance for excellent EMI shielding. O-ring inside receptacle shell provides water-tight seal when mated.

How To Order						
Sample Part Number	804-006	-07	Z1	9-19	P	A
Series	804-006 = Hermetic Receptacle					
Shell Style (See Table I)	-00 = Front Panel Mount Jam Nut (See Table IV) -07 = Rear Panel Mount Jam Nut (See Table III)					
Shell Material and Finish	Z1 = Stainless Steel / Passivated; RoHS Compliant ZL = Stainless Steel/Nickel Plated					
Shell Size - Insert Arrangement	See Contact Arrangements Page G-2					
Contact Type	P = Pin, Solder Cup C = Pin, PC Tail S = Socket, Solder Cup D = Socket, PC Tail					
Shell Key Positions (See Table II)	Omit = Single Master Key A = Normal B = Pos. B C = Pos. C D = Pos. D E = Pos. E F = Pos. F					

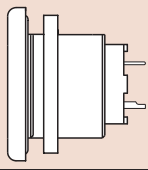
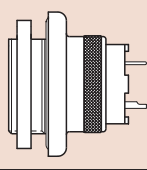
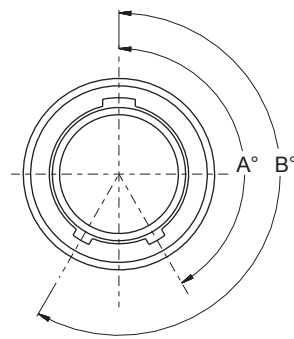
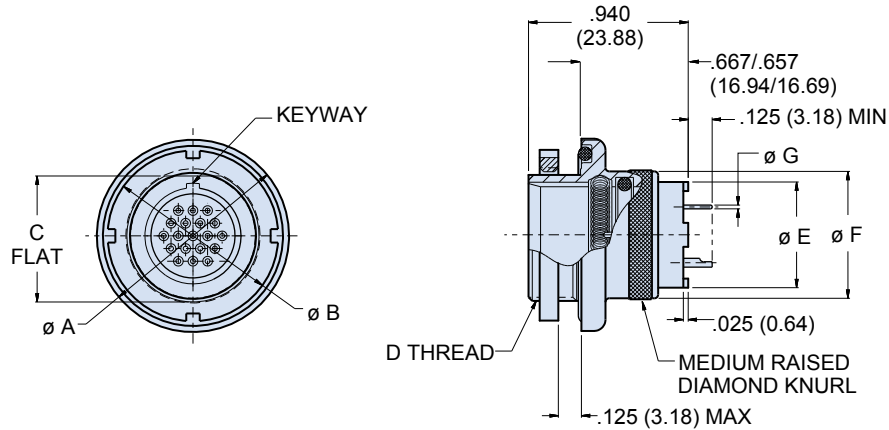
Table I: Shell Style	
	
-00 Jam Nut, Front Panel Mount	-07 Jam Nut, Rear Panel Mount

Table II: Alternate Key Positions			
	Pos.	A°	B°
	A	150°	210°
	B	75°	210°
	C	95°	230°
	D	140°	275°
	E	75°	210°
	F	95°	210°

Dimensions in Inches (millimeters) are subject to change without notice.



Jam nut, rear panel mount receptacle - shell style 07



Rear Panel Jam Nut
804-006-07

Dimensions												
Shell Size	Ø A		Ø B		C Flat		D Threads	Ø E		Ø F		Ø G Tail Dia.
	In.	mm.	In.	mm.	In.	mm.		In.	mm.	In.	mm.	
5	.790	20.07	.562	14.27	.415	10.54	.4375-32 UN-2A	.244	6.20	.450	11.43	#23 .018/.022 (0.46/0.56) #20 .024/.028 (0.61/0.71) #16 .060/.064 (1.52/1.63) #12 .092/.096 (2.34/2.44)
6	.830	21.08	.625	15.87	.467	14.40	.5000-32 UN-2A	.336	8.53	.520	13.21	
7	.910	23.11	.750	19.05	.594	15.09	.6250-28 UN-2A	.432	10.97	.580	14.73	
8	.955	24.26	.750	19.05	.594	15.09	.6250-28 UN-2A	.493	12.52	.603	15.32	
9	1.000	25.40	.812	20.62	.655	16.64	.6875-28 UN-2A	.551	14.00	.695	17.65	
10	1.085	27.48	.875	22.22	.721	18.31	.7500-28 UN-2A	.620	15.75	.735	18.67	
11	1.135	28.83	.938	23.83	.788	20.02	.8125-28 UN-2A	.662	16.81	.810	20.57	
12	1.180	29.97	1.000	25.40	.843	21.41	.8750-28 UN-2A	.703	17.86	.880	22.35	
14	1.325	33.66	1.125	28.57	.968	24.59	1.0000-28 UN-2A	.863	21.92	1.010	25.65	

Rear Mount Jam Nut Panel Cutout

Shell Size	A Flat		Ø B	
	In.	mm.	In.	mm.
	±.002	±0.05	±.005	±0.13
5	.425	10.8	.448	11.38
6	.477	12.12	.510	12.95
7	.604	15.34	.635	16.13
8	.604	15.34	.635	16.13
9	.665	16.89	.695	17.65
10	.731	18.57	.760	19.30
11	.798	20.26	.822	20.88
12	.853	21.67	.885	22.48
14	.978	28.84	1.010	25.65

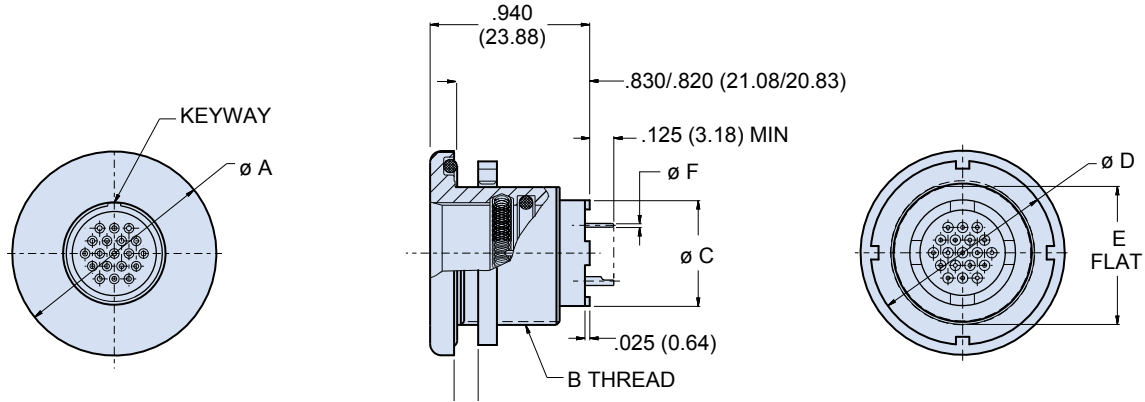
Dimensions in Inches (millimeters) are subject to change without notice.

Series 804 Push-Pull Mighty Mouse Connector Hermetic Receptacle 804-006-00 Dimensions



Series 804

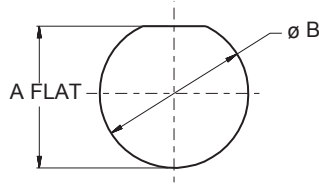
Jam nut, front panel mount receptacle- shell style 00



Front Panel Jam Nut
804-006-00

Dimensions										
Shell Size	Ø A		B Threads	Ø C		Ø D		E Flat		Ø F Tail Dia.
	In.	mm.		In.	mm.	In.	mm.	In.	mm.	
5	.830	21.08	.5000-32 UN-2A	.244	6.20	.625	15.87	.470	11.94	#23 .018/.022 (0.46/0.56) #20 .024/.028 (0.61/0.71) #16 .060/.064 (1.52/1.63) #12 .092/.096 (2.34/2.44)
6	.885	22.48	.5625-28 UN-2A	.336	8.53	.688	17.47	.530	13.46	
7	.995	25.27	.6875-28 UN-2A	.432	10.97	.812	20.62	.663	16.84	
8	.995	25.27	.6875-28 UN-2A	.493	12.52	.812	20.62	.663	16.84	
9	1.075	27.31	.7500-28 UN-2A	.551	14.00	.875	22.22	.720	18.29	
10	1.140	28.95	.8125-28 UN-2A	.620	15.75	.938	23.82	.788	20.02	
11	1.190	30.23	.8750-28 UN-2A	.662	16.81	1.000	25.4	.843	21.41	
12	1.340	34.04	1.0000-28 UN-2A	.703	17.86	1.125	28.57	.970	24.64	
14	1.390	35.31	1.0625-20 UN-2A	.863	21.92	1.162	30.18	1.020	25.91	

Table IV: Front Mount Jam Nut Panel Cutout					
Shell Size	A Flat		Ø B		
	In. ± .002	mm. ± 0.05	In. ± .005	mm. ± 0.13	
5	.480	12.19	0.510	12.95	
6	.538	13.67	0.575	14.61	
7	.671	17.04	0.698	17.73	
8	.671	17.04	0.698	17.73	
9	.728	18.49	0.760	19.30	
10	.796	20.22	0.822	20.88	
11	.851	21.62	0.885	22.48	
12	.978	24.84	1.010	25.65	
14	1.028	26.11	1.075	27.31	



Dimensions in Inches (millimeters) are subject to change without notice.